

INSTALLATION INSTRUCTIONS

CARE AND USE MANUAL FOR:
ISLAND RANGE HOODS



Models covered by this instructions:
SU900, SUT900, SUE900, SU901, SU902, SU903

*** BEFORE INSTALLATION ***

ENSURE THERE IS NO VISIBLE OR HIDDEN DAMAGE SUSTAINED
DURING SHIPPING

*** SHIPPING DAMAGE ***

MUST BE REPORTED WITHIN 5 DAYS OF RECEIPT



Sirius

10-0571-1

WARNING

*Thank you for purchasing a Sirius Range Hood.
Please read all the instructions in this manual before
installing the appliance.*

Save these instructions for future reference.

Only use this appliance as an exhaust ventilation system for the removal of cooking vapors. **DO NOT** use to expel flammable substances or any other materials or vapors.

The installation procedures in this manual are intended for qualified installers, service technicians or persons with similar qualified background. **DO NOT** attempt to install this appliance yourself.

Ensure that electrical power is turned off at source before commencing installation. All electrical wiring must be properly installed, insulated and grounded and conform to all applicable codes and standards.

Make sure all existing duct work is clean of grease build up, or duct work should be replaced, if necessary, to avoid the possibility of a grease fire. Check all joints on ductwork to ensure proper connection and all joints should be properly taped. Be careful when cutting through ceilings or walls not to damage any hidden pipes or electrical wiring. Ensure your kitchen has sufficient air return vents to replace the exhausted air.

Fan ducts should always be vented to the outside of your home and never into spaces within walls, ceilings, lofts or attics. Only use rigid, smooth steel for ducting. The exhaust point of the blower requires a 6" round connection.

TABLE OF CONTENTS

BEFORE YOU BEGIN	4
DUCTING	4
External venting Requirements	4
Duct Run Calculation	5
ELECTRICAL	5
Electrical Supply	5
INSTALLATION	6
Applications	6
Connecting Electricity and Ducting	8
Re-Circulating Requirements	9
OPERATING PROCEDURES	10
General Advice	10
Functions	10
MAINTENANCE	12
Cleaning the Filter	12
Cleaning the Hood	12
Light Bulb Replacement	13
WARRANTY	16

BEFORE YOU BEGIN

The manufacturer declines all responsibility in the event of failure to observe the instructions given here for installation, maintenance and suitable operation of the product. The manufacturer further declines all responsibility for injury due to negligence and the warranty of the unit automatically expires due to improper maintenance and/or installation.

BEFORE YOU BEGIN: It is advisable to test run the range hood before installation.

BEFORE STARTING – please read this entire document and ensure you are fully conversant with the requirements and limitations. These units weigh approximately 125lbs and therefore require a minimum of two people to install.

DUCTING

(Not applicable if the range hood is used in re-circulating mode).

WARNING: Do not vent this appliance into any other ductwork, spaces between walls, ceilings, attics, garages or any other confined space.

External Venting Requirements.

When planning new ductwork, always look for the most direct route to the outside. Venting can be done through the roof or directly through the back outside wall. (See Figure 1 and 2) Only use rigid type metal ducting (plastic ducting is generally not permitted by code). Flexible ducting could restrict airflow by up to 50%.

Always fasten connections with sheet metal screws and tape all joints with certified Silver Tape or Duct Tape. Do not use screws to fasten ductwork to the hood, only use tape as the screws will stop the dampers from opening and your hood will not work. This hood requires a 6" round duct outlet. You can increase the duct size of the duct run but never decrease it. Use the shortest and most direct route possible. Always, wherever possible, reduce the number of transitions and turns with as few sharp angles as possible. Two staggered 45 degree angles are better than one 90 degree. Make these turns as far away from the motor exhaust as possible, with as much space between each bend.

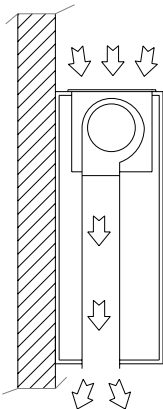


fig. 1

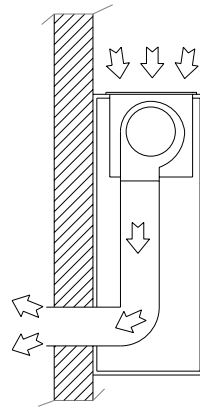


fig. 2

10-0571-4

Duct Run Calculation.

The maximum duct run before effecting the performance of the hood is 100'. Calculate your duct run by measuring linear feet and adding the elbows, transitions and caps based on the table below.

Maximum Run	
6" or 3 1/4 x 10" duct	100 FT
Deduct	
Each 90 elbow used	15FT
Each 45 elbow used	9FT
Each 6" or 3 1/4 x 10" duct	
Transition used	1FT
Each 3'1/4 x 10" to 6"	
Transition used	5FT
Side Wall with damper	30FT
Roof Cap	30FT

The ducting connection to the hood must be in line with the central vertical axis of the range hood 1" away from the back wall on which the hood is to be mounted.

Range hoods may interrupt the proper flow of combustion gases from fireplaces, gas furnaces and gas water heaters.

To minimize the risk of drawing these lethal gases back into the home, please follow the heating equipment manufacturers safety standards and guidelines carefully.

Refer to NFPA and ASHRAE for additional information.

ELECTRICAL

WARNING: All electrical work must be performed by a qualified electrician.

Please ensure that the appropriate electrical codes or prevailing local building codes and ordinances are adhered to.

Ensure that the electricity supply is disconnected at source. Do not use an extension cord or adapter plug with this appliance.

This appliance must be grounded. Connect to a properly grounded branch circuit, protected by a 15 amp circuit breaker.

Electrical Supply.

This appliance requires 120V/60Hz, 3amp electrical supply - ensure an appropriately qualified person completes the electrical hook-up. The connection point for the electrical supply is at the top of the unit, therefore the electrical supply must be run down from the ceiling alongside the ductwork.

All electrical and venting hook-ups must be in place before commencing installation of the hood-fan.

INSTALLATION

Applications

The **SU900** – **SUT900** – **SUE900** can either be installed inside a wall cabinet (provided the inside depth is greater than 11”) or used in a custom designed wooden hood. Where installed directly into a wall cabinet, there are two options:

Directly into the cabinet without any form of hood. Directly into the cabinet together with Sch31A where the Sch31A acts as a liner hood and is attached to either the underside of the cabinet or into the sides of the cabinets alongside.

The **SU901** can either be installed inside a wall cabinet or used in a custom designed wooden hood. Where installed directly into a wall cabinet, there are two options:

Directly into the cabinet or directly into the cabinet together with the adjustable Pro liners where the adjustable Pro liners act as a cabinet protection against the heat. The depth of the adjustable pro liners can vary from 23.5” to 25.9”)

The **SU902** and **SU903** can either be installed inside a wall cabinet or used in a custom designed wooden hood.

Depending on which model is used, prepare a cut-out in the underside of the wooden hood to allow the powerpack to fit up into the hood using the following dimensions:

SU900 – SUT900 – SUE900 20”
10” ³/₈ X 19” ¹⁹/₃₂

SU900 – SUT900 – SUE900 27”
10” ³/₈ X 26” ¹¹/₁₆

SU901	32” ¹³ / ₃₂ X 16” ³ / ₁₆
SU902	10” ²⁵ / ₆₄ X 26” ¹ / ₂
SU903 27” ⁹ / ₁₆	9” ¹⁵ / ₁₆ X 25” ⁹ / ₁₆
SU903 35” ⁷ / ₁₆	9” ¹⁵ / ₁₆ X 33” ⁷ / ₁₆

If Sch31A or a Pro Liner are being used, they can be held up under the cabinet and used as a template.

If Sch31A or a Pro Liner are to be used for under cabinet application, they should be installed now.

Installing a SCH31A with SU900 – SUT900 – SUE900. Hold the Sch31A under the cabinet and Screw it to the 4 hole locations. Make sure it lines up with the cut out in your cabinet. The power pack has pressure springs (to be adjusted) on the front and back that will “hook” onto the top surface of the underside of the hood when it is pushed up into the hole that has been cut out (refer to figure 3).

Installing SU900 – SUT900 – SUE900 without a SCH31A. The power pack has pressure springs (to be adjusted) on the front and back that will “hook” onto the top surface of the underside of the hood when it is pushed up into the hole that has been cut out (refer to figure 3).

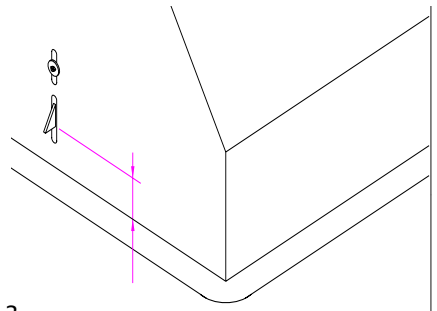


fig. 3

10-0571-6

There are four holes on the inside of the SUT900 to fix the unit into the edge of the base of the wooden hood (refer to figure 4).

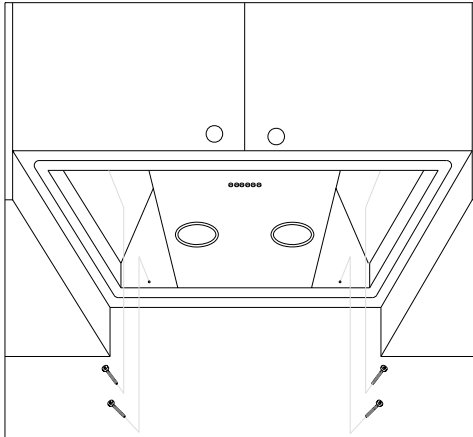


fig. 4

Installing a Adjustable Pro Liner with SU901. Once the cut out has been done install the Adjustable Pro Liner and make sure it lines up with the cut out in your cabinet. Screw it to the 4 hole locations (refer to figure 5).

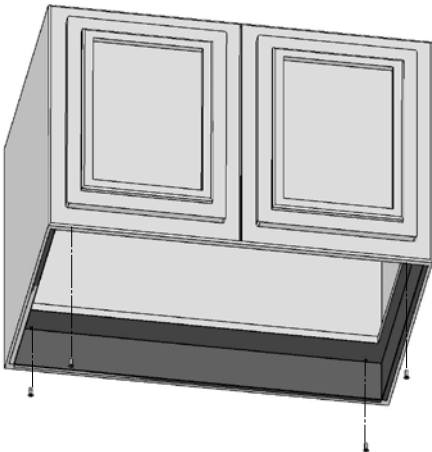


fig. 5

Install the front part of the liner adjusting it to the depth of the cabinet. (refer to figure 6).

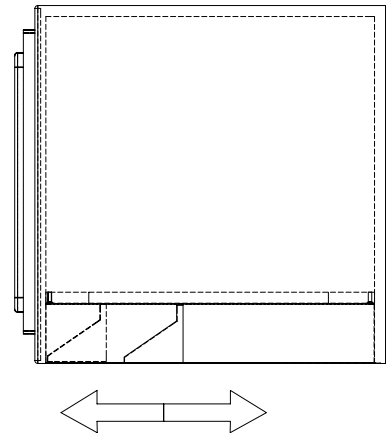
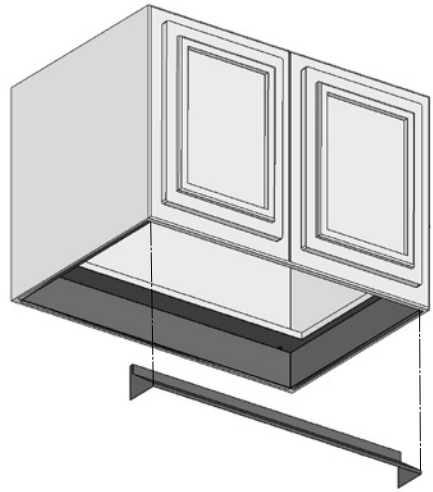


fig. 6

Screw it to the 3 hole locations.

Attention: be sure the cabinet has a minimum thickness of 0.75" on the 4 sides.

The power pack has pressure springs (to be adjusted) on the front and back that will “hook” onto the top surface of the underside of the hood when it is pushed up into the hole that has been cut out (refer to figure 3).

Installing SU902. The power pack has pressure springs (to be adjusted) on the front and back that will “hook” onto the top surface of the underside of the hood when it is pushed up into the hole that has been cut out (refer to figure 3).

Installing SU903. The power pack has pressure springs (to be adjusted) on the front and back that will “hook” onto the top surface of the underside of the hood when it is pushed up into the hole that has been cut out (refer to figure 7–8).

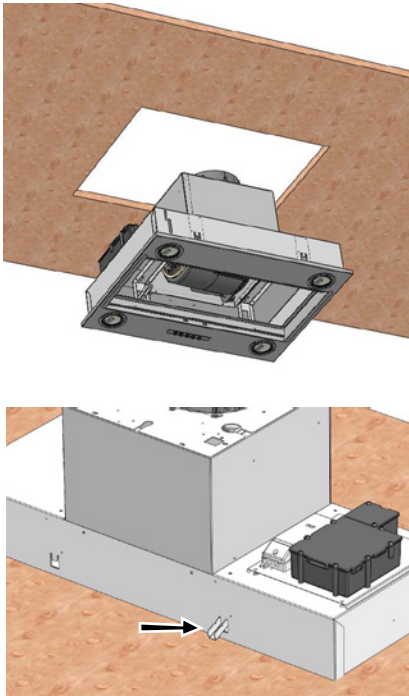


fig. 7-8

Insert and Fix the 4 clamping levers as described in the pictures 9.

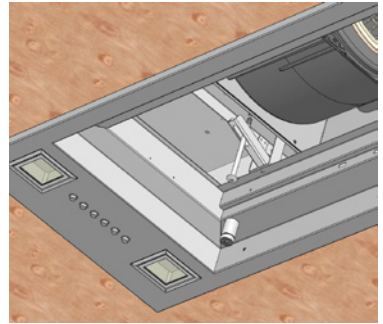


fig. 9

Screw carefully in order to keep the product straight.

Connecting Electricity and Ducting. Please refer to the Electrical Supply section on page 2 for the required location of the electrical supply.

CAUTION: Make sure the power is turned off at source. Make electrical connections (refer to Figure 10). Ensure that the plastic flaps at the exhaust outlet for the fan move freely and have not become jammed or stuck.

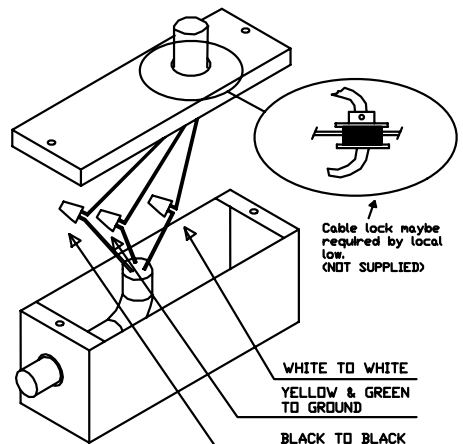


fig. 10
10-0571-8

Connect the appropriate length of ducting to the fan exhaust point and join up with the ducting to the exterior.

Do not fix the ducting to the range hood exhaust outlet with screws—use duct tape. Use duct tape on all joints.

Re-Circulating Requirements.

If the unit is to be used in the recirculating mode, fit the carbon filters after the installation is complete (refer to Figure 11).

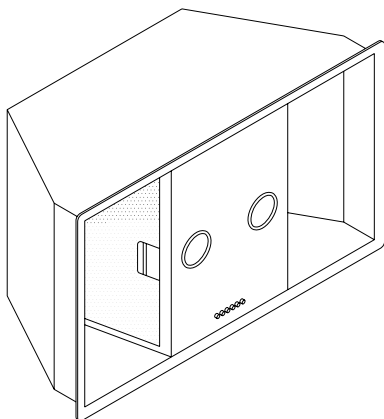


fig. 11

The carbon filter fits in behind the aluminium grease filter. Ensure that the plastic tabs on the carbon filter are facing outwards otherwise it will be difficult to remove it later for replacement.

A short length of ductwork must be connected from the exhaust outlet on the fan to wherever the air is to be exhausted.

Allow sufficient space to connect the ductwork to the top of the exhaust outlet on the fan housing. Do not fix the ducting to the range hood exhaust outlet with screws, use duct tape. Duct tape should be used on all joints.

OPERATING PROCEDURES

Read all the instructions before operating the appliance. Save these instructions for future reference.

General Advice.

Ensure that the grease filters are in place. Without these components, operating blowers could catch on to hair, fingers and loose clothing. Keep fan, filters and surfaces clean of grease and fat. Always turn hood fan ON when cooking. NEVER leave cooking unattended.

NEVER dispose cigarette ashes, ignitable substances or any foreign objects into blowers.

Cooking that generates flame is not recommended as this hood is equipped with a thermal overload that will shut down the motor if it senses excessive heat. When frying, oil in the pan can easily overheat and ignite. Heat oil slowly in an appropriately sized pot (covering the entire burner) to reduce the risk of boiling over and burning.

In the event of a range top grease fire, observe the following:

Switch OFF the range hood. Turn off the cook top then smother flames with a close fitting lid, cookie sheet or other metal tray. If the flames do not go out immediately.

EVACUATE AND CALL THE FIRE DEPARTMENT.

Never pick up a flaming pan - you may be burned. DO NOT USE WATER including wet dishcloths or towels, as a violent steam explosion may occur.

FUNCTION

SU900-SU901-SU902-SU903 (Fig. 12).

- A: Light ON/OFF button
- B: Blower Speed 1 (low) or OFF
- C: Blower Speed 2 (medium)
- D: Blower Speed 3 (high)
- E: Blower Speed 4 (intensive)
- F: 10 Minute Timer

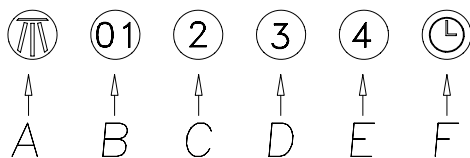


fig. 12

SUE900 (Fig. 13)

- A: Light ON/OFF button
- B: Blower Speed 1 (low) or OFF
- C: Blower Speed 2 (medium)
- D: Blower Speed 3 (high)
- E: Hood in operation light

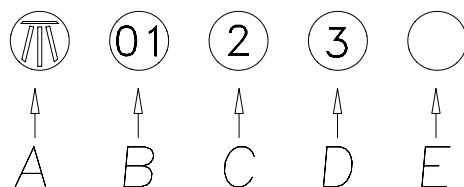


fig. 13

SUT900 (Fig. 14)

Remote control

- A: At every selected function, the led lights on accordingly.
- B: To increase the speed.
- C: To switch on the lights or to switch them off.
- D: ON/OFF To go from a higher speed back to first one press twice the button: To switch the hood on or off press once this button.
- E: To reduce the speed.
- F: To set the timer.

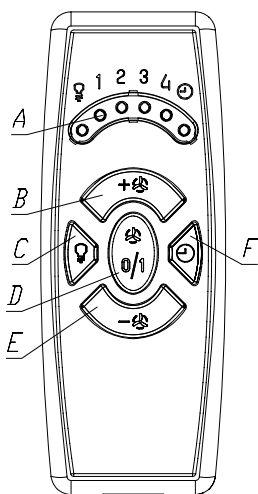


fig. 14

The led on the right side will start (every 5 seconds), the hood will work for 10 minutes at the selected speed and then it lights automatically off. If the client increases or reduced the speed while the timer is on, this is automatically stopped.

TECHNICAL DATA:

Alkaline battery powered:	12v mod. 23A
Operating frequency:	433.92 Mhz
Combinations:	4096
Max. consumption:	25Ma
Operating temperature:	-20° : +55°C

Standard configuration.

If two cooker hoods–radio control system are installed in the same room or in the immediate vicinity, each system may affect the operation of the other, due to the fact that they have the same code. Therefore it will be necessary to change the code of one of the radio controls.

Generating a new transmission code.

The radio control is supplied by the manufacturer with default codes stored. If you want to create a new set of codes, proceed as follows: press and hold the UP, STOP and DOWN buttons simultaneously for 2 seconds. After the LEDS light up, press the UP and DOWN buttons within 5 seconds. The LEDS will flash 3 times to indicate that the process is completed. **WARNING:** This procedure deletes all previously–stored codes.

Learning the new transmission code.

After changing the transmission code on the radio control, the cooker hood electronic control unit must be made to set the new code as follows: press the main Power Off button on the cooker hood and then restore power to the electronic control unit. Within the next 15 seconds, press the Light button. This will ensure the control unit is synchronized with the new code.

Warning The battery should be replaced every year to guarantee the optimal range of the transmitter. To replace the exhausted battery, take the plastic lid off, remove the battery and replace it with a new one, observing the correct battery polarities. Used batteries should be discarded in special collection bins.

Filter requires washing indicator: after 30 hours of use, all the buttons will light up to remind you that the grease filter should be cleaned. Follow the instructions for cleaning filters in this booklet. Once the grease filters have been cleaned and replaced, reset by pressing the timer button (F). Do not rely solely on this indicator. Generally, the grease filter should be washed on a regular basis to avoid grease filter fires.

The blower should be turned on for approximately 5 minutes before cooking in order to establish air currents upward through the hood. Use the low speeds for normal use and the higher speeds for strong odors and fumes.

MAINTENANCE

The hood-fan should provide many years of trouble free service provided it is maintained properly.

Cleaning the Filter.

Clean the grease filter either by carefully hand washing, (so as not to damage the filter design) or, preferably in a dishwasher. Depending on use, the filters should be cleaned at least every two weeks in a dishwasher.

If a carbon filter has been fitted this must be replaced at least every 6 months as a minimum. Depending on cooking style and nature of cooking (greasy foods, fry's, curries etc) would probably require more frequent replacement - if odors start to manifest themselves when cooking it is time to replace the carbon filter. We suggest you retain a spare set. These can be ordered from the supplier of your range hood.

Cleaning the Hood.

Cleaning of the internal parts should be done with a clean damp (not excessively wet) cloth together with regular household detergent. The external stainless steel elements should be cleaned with a good quality foaming stainless steel cleaner. Read the manufacturers directions. Generally they recommend that the foam be sprayed onto a clean dry cloth and then applied to the stainless steel. Allow the foam to react on the surface for a few minutes and then wipe with a clean dry cloth.

On the surfaces that are exposed directly to heat from the cook-top, it is advisable to clean these on a regular basis to avoid the marks from becoming baked on.

Do not under any circumstances use an abrasive type cleaner as this will scratch and damage the stainless steel finish. Glass components should be cleaned with a product such as Windex.

Light Bulb Replacement.
(if in doubt, call 877-474-8770)

Turn blower and lights off. Make sure the lights are cool.

Do not remove the entire fixture (socket) as this is very difficult to reinstall.

Visually inspect the light fixture and establish whether the unit has a smooth or “toothed” metal ring.

If smooth remove the **glass blocking ring** by prying out with a sharp, soft instrument such as a toothpick (refer to figure 15).

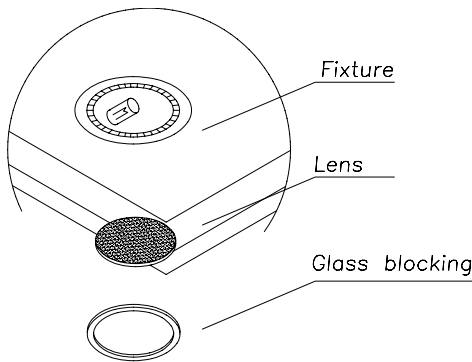


fig. 15

Steel instruments will scratch the surface. Be careful that the lens does not fall out. If “toothed”, place the tip of your finger between the lens and the ring. Making your way around the ring, gently pull your way outwards until a point is found where the ring pulls off.

Replace the appropriate bulb. Check parts brochure or specification sheets on our website. Wipe both sides of the glass whilst it is out.



Sirius

Three Year Limited Warranty

YOU MUST REGISTER THE PURCHASE OF YOUR PRODUCT ON LINE AT www.siriuscappe.com/usa/warranty.htm TO CONVALIDATE YOUR WARRANTY.

YOU CAN FIND THE DATA OF YOUR HOODS ON A LABEL INSIDE THE HOOD. JUST REMOVE THE GREASE FILTER TO READ IT.

WARRANTY SERVICE

To qualify for warranty service, you must notify Sirius After sale service at the email address stated below or call toll free USA 1-877-474-8770 and provide the model number, description of the fault or defect and original date of purchase. Sirius reserves the right to request proof of original purchase. Sirius will at its sole option and discretion replace products that arrive damaged through shipping, provided shipping damage is reported as stated above WITHIN 5 BUSINESS DAYS OF RECEIPT of the shipped product or products.

ONE YEAR SERVICE REPAIR WARRANTY:

During the first year from date of original purchase, Sirius will, at its option, repair or replace, without charge, any product or part which is found to be defective under normal use and service.

THREE YEAR PARTS WARRANTY:

For three years from date of purchase, Sirius will provide free of charge, non-consumable replacement parts which are found to be defective under normal use and service.

WHO IS COVERED:

Sirius Range Hoods warrants to the original consumer purchaser of its products that such products will be free from defects in materials and workmanship for a period of three years from the original date of purchase. There are no other warranties, express or implied, including, but not limited to, implied warranties of merchantability or fitness for a particular purpose or application.

WHAT IS NOT COVERED:

This warranty does not extend to filters, lamps, batteries, ducts and ductwork components. This warranty does not cover normal maintenance and service or products or parts which have been subject to misuse, negligence, accident, improper maintenance or repair, faulty installation or installation contrary to recommended installation instructions. The warranty on glass screens is limited to manufacturing defects only and expressly excludes cracks and breakages as a result of faulty installation. *Labor and associated costs associated directly with removal and re-installation are expressly excluded.*

The duration of any implied warranty is limited to the three year period as specified for the express warranty. Some states and provinces do not allow limitation on how long an implied warranty lasts, so the above limitation may not apply to you.

Sirius S.P.A.

Zona industriale Berbentina 6/A
60041 SASSOFERRATO (AN)
ITALY

Sirius after sale service

Telephone (toll free): 1-877-474-8770
Email: Sirius@adcoservice.com

10-0571-16

Register Online! www.siriuscappe.com/usa/warranty.htm