

American WOODmark®

REMY Maple Almond, Painted Sage
& Painted Harbor



SPECIFICATION GUIDE

July 2024

Introducing the REMY COLLECTION

A slim Shaker door style that's effortlessly elegant and on-trend, Remy is the latest addition to our collection. Available in a stunning array of Cherry, Maple and Painted finishes, this full overlay door style is the modern version of the timeless Shaker door, bridging the gap between classic and modern styles.



Remy Remy w/5-Piece Drawer Front

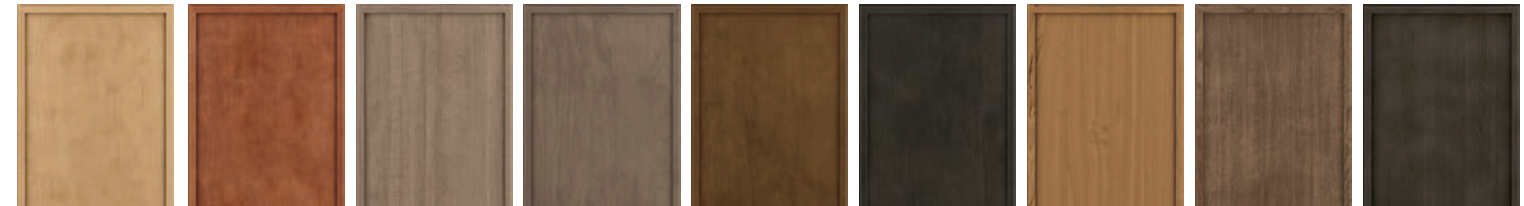


REMY Cherry Amber & Painted Vanilla

PAINTED LINEN PAINTED VANILLA PAINTED HARBOR PAINTED STONE PAINTED BOULDER PAINTED SAGE PAINTED MIST PAINTED NAVY PAINTED BLACK



MAPLE RYE MAPLE COGNAC MAPLE ALMOND MAPLE LATTE MAPLE TRUFFLE MAPLE SLATE CHERRY AMBER CHERRY CLOVE CHERRY SLATE



Presenting MAPLE ALMOND

Our new Maple Almond finish provides a refreshingly natural tone that expands on the versatility of the Maple door. Interlaced with neutral shades of brown, this color can easily combine with the rest of our palette to create soothing living spaces that have effortless charm.



REMY Maple Almond, Painted Sage & Painted Harbor



PORTOLA Maple Almond



LEESBURG Maple Almond



- MACARTHUR
- SAVANNAH
- PORTOLA
- READING
- GARNER
- BROOKLAND
- REMY
- HANOVER
- LEESBURG
- ADELAIDE
- WESTERLY
- SAN MATEO



Presenting CHERRY CLOVE

Enhancing the rich wood grains of Cherry, this new finish gives a combination of warmth and drama to any room. Equally comfortable in a modern or traditional design, Cherry Clove introduces a striking new option that's rich and sophisticated with a touch of rustic elegance.



REMY Cherry Clove



HANOVER Cherry Clove



READING Cherry Clove



MACARTHUR

SAVANNAH



PORTOLA

READING

BROOKLAND

REMY

HANOVER

LEESBURG



TRENDING STYLES

WITH AMERICAN WOODMARK

THE ENDLESS APPEAL OF MODERN CHARM

Organic casual meets contemporary in this appealing, on-trend style. Warm and inviting rather than stark and minimalist, these spaces strike the perfect balance. Choose natural-toned neutrals and prioritize simplicity to bring Modern Charm to life.



REMY Maple Almond, Painted Sage & Painted Harbor

RETURN TO TRADITIONAL

Timeless and refined, traditional design is making a comeback - with a few changes. Now featuring clean lines paired with classic details and accessories, the new traditional simply never goes out of style.



WESTERLY Painted Vanilla & Maple Truffle

MAXIMALISM: WHEN MORE IS MORE

Personalized design that represents your customer's taste is truly on-trend. Rather than appealing to the masses with resale in mind, homeowners are mixing styles to create maximalist spaces. Bright colors, dramatic prints and high contrast make for bold statements and stunning rooms.



REMY Painted Black

NEW CABINETRY SKUS

To Build Better Living Spaces

GET CREATIVE WITH NEW ADDITIONS FOR THE KITCHEN

We are introducing a **37" Wide Refrigerator Cabinet** that allows for better alignment over current refrigerator models. Not only will you have an easier installation, but depending on the size of your customer's refrigerator, you may not have to use fillers.

37" Refrigerator Cabinet Available In:

- 12" - 24" High x 24" Deep

NEW 37" Wide Refrigerator Cabinet



Previous Option

Our new **Built-In Base Microwave Cabinet** accounts for base microwaves that utilize a larger trim kit for installation.

Built-In Base Microwave Cabinet Available In:

- 24" - 30" Wide

We are also offering a **Full-Height Blind Base Expansion**. These cabinets complete American Woodmark's full-height blind base offering and will give you more flexibility in the design for customers who want a cleaner full-height look.

Full-Height Blind Base Available In:

- BLB36"/39"
- BLB39"/42"
- BLB42"/45"



For more trends and inspiration, visit woodmarkcabinetry.com



WESTERLY Painted Linen & Maple Almond



REACH FOR THE SKY WITH NEW STACKABLE OPTIONS

Our new **cabinet heights** give you even more design flexibility and offer the solutions you need to create the stacked cabinet trend in any space.

12" & 15" High Cabinets Available In:

- 12" - 27" Widths
- 24" & 27" Corner Walls



TRENDS IN FUNCTIONALITY

WITH AMERICAN WOODMARK

CREATE CONNECTION AROUND A TABLE BUILT RIGHT INTO THE KITCHEN

Barstools at the kitchen island might be perfect for a quick cup of coffee or doing homework after school. But adding a seating area where your customers can connect over a meal is invaluable. When a separate dining room is too formal or just isn't in the cards, creating a dine-in kitchen really is the perfect solution.



REMY Maple Almond, Painted Sage & Painted Harbor



REMY Maple Almond

DESIGN CLEAN LINES WITH THE PERFECT HIDDEN PANTRY

Your customers need a place for dry goods, overflow items and extra supplies. Create one without interrupting the look and flow of the space by seamlessly blending a pantry in with the kitchen cabinetry. Turn the page to find out how to build a hidden pantry with American Woodmark!



WESTERLY Painted Linen & Maple Almond



BEVERAGE STATIONS BUILT FOR GOOD TIMES

Help your customers repurpose underutilized spaces like little alcoves or old coat closets by building a beverage station or coffee nook where they'd least expect one! Whether they're entertaining or looking to make their morning espresso more decadent, they'll love that you've maximized their space.



HANOVER Cherry Clove



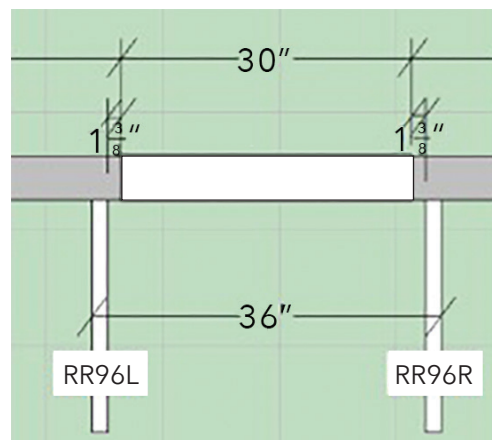
HOW TO CREATE A HIDDEN PANTRY

with American Woodmark Cabinetry



For the customers who want clean lines and no clutter, design a hidden pantry. This on-trend addition is easy with American Woodmark when you're using 2020:

- 1 To add a hidden pantry to your design, ensure you block out a space to fit one of our current Utility cabinet sizes. See page 116 for offering.
- 2 Determine the height of your pantry using the wall height of your cabinets. Select the appropriate Refrigerator Return without the toe notched and be sure to include the Matching Interior option.
- 3 Determine the width of your pantry based on Utility widths available. Keep in mind, the full width should account for measurements from the outside of the Refrigerator Returns. The pantry opening will be slightly smaller to account for those returns.
- 4 Next, select a UF342 for Horizontal Placement. Add the dimensions needed for your design in the attributes box and click 'Apply'. Place on the floor plan between the two Refrigerator Returns, flush with the top and front.
- 5 Use the Parts Directory on page P21, look up the door sizes you'll need based on the Utility size used in your design. Place the doors on your floor plan and check 'Hinging' on the attributes box that pops up. This ensures your doors are drilled for proper hinging.
- 6 Use the elevation to ensure you have the doors properly aligned. If you need guidance for alignment, refer to our overlay dimensions on page 34.
- 7 To finalize the Hidden Pantry, add the following items in Accessories & Extra Costs:



| | |
|---|---|
| 12 - Hinges (Refer to the Door Style specifications for hinge type and Parts Directory page P48 for nomenclature) | 12 - Screw DDF (To attach fillers to doors) |
| 1 - UF342 (To attach top and bottom doors together) | 1 - TEP84 (If a cabinet is stacked on top) |
| 1 - UF642 (To attach to the bottom of the doors for toe kick alignment) | 2 - SM8 (For around the edges of Refrigerator Return to ensure a tight fit) |
| 1 - Touchup Marker | |

Log in to Designer Resources at resources.woodmarkcabinetry.com for full details.

PRICING GUIDE

MacArthur®



Cherry
\$295
Maple
\$291
Painted
\$337

Savannah®



Cherry
\$280
Maple
\$276
Painted
\$320

Reading™



Cherry
\$260
Maple
\$236
Painted
\$274

Reading™ w/DFO



Cherry
\$271
Maple
\$250
Painted
\$290
Duraform®
\$250

Portola®



Cherry
\$242
Maple
\$235
Painted
\$273
Duraform®
\$209

Portola® w/DFO



Cherry
\$255
Maple
\$249
Painted
\$289

Hanover™



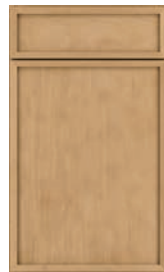
Cherry
\$244
Maple
\$232
Painted
\$270
Duraform®
\$232

Remy™



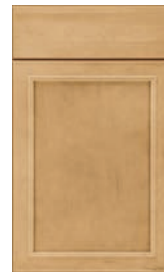
Cherry
\$246
Maple
\$223
Painted
\$259

Remy™ w/DFO



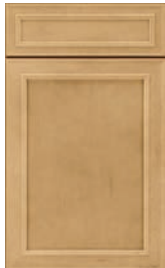
Cherry
\$260
Maple
\$236
Painted
\$274

Brookland®



Cherry
\$246
Maple
\$223
Painted
\$259
Duraform®
\$223

Brookland® w/DFO



Cherry
\$260
Maple
\$236
Painted
\$274
Duraform®
\$236

Garner®



Maple
\$211
Painted
\$245

Garner® w/DFO



Maple
\$225
Painted
\$261

Leesburg®



Cherry
\$216
Maple
\$195
Painted
\$227
Duraform®
\$195

Leesburg® w/DFO



Cherry
\$227
Maple
\$208
Painted
\$242
Duraform®
\$208

Adelaide™



Maple
\$195
Painted
\$227

Adelaide™ w/DFO



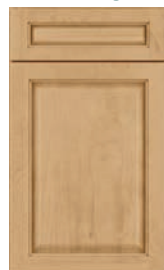
Maple
\$208
Painted
\$242

Westerly™



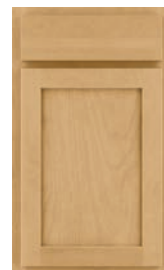
Maple
\$195
Painted
\$227

Westerly™ w/DFO



Maple
\$208
Painted
\$242

San Mateo®



Maple
\$157
Painted
\$184
Duraform®
\$157

Glen Ellen®



Duraform®
\$157

All pricing listed by linear foot. Upgrades and options not included in price. Pricing as of 07/2024. Subject to change. Price may vary by finish.

Contents

| | | | |
|--|----|---|-----|
| Warranty | 2 | Base Cabinets (cont.) | |
| Door Style Collections..... | 3 | Furniture Drawer Cabinet..... | 83 |
| Door Style & Finish Availability | 4 | Pedestal Drawer Cabinet..... | 84 |
| Adelaide™ | 6 | Drawer Base..... | 84 |
| Brookland® | 7 | Drawer Base with Drawer Accessories..... | 86 |
| Garner® | 8 | Peninsula..... | 87 |
| Glen Ellen®..... | 9 | Full-Height Peninsula..... | 87 |
| Hanover™ | 10 | Blind Peninsula Corner..... | 88 |
| Leesburg® | 11 | Corner..... | 89 |
| MacArthur® | 12 | Blind Corner..... | 92 |
| Portola® | 13 | Full-Height Blind Corner | 92 |
| Reading™ | 14 | Sink/Cooktop Base..... | 95 |
| Remy™ | 15 | Sink Base with Factory Installed Accessories | 96 |
| San Mateo® | 16 | Base Plumbing Skirt..... | 97 |
| Savannah® | 17 | Adaptable Sink Base Kit..... | 98 |
| Westerly™ | 18 | Sink/Cooktop Front..... | 98 |
| Standard Cabinet Specifications | 19 | Specialty | 99 |
| Certification..... | 20 | Accessories | 101 |
| Cabinet Specifications..... | 21 | Desk and Office Cabinets | 109 |
| Finishing Systems..... | 22 | Desk Base | 110 |
| Wood Species & Materials..... | 23 | Bookshelves..... | 112 |
| Wall Cabinet Construction..... | 24 | Accessories..... | 113 |
| Base Cabinet Construction..... | 25 | Tall Cabinets | 115 |
| Hardware..... | 26 | Utility..... | 116 |
| Cabinet Dimensions..... | 27 | Utility with Adjustable Shelves..... | 117 |
| Installation Guidelines..... | 32 | Utility with Roll Out Trays..... | 118 |
| Overlay Dimensions..... | 34 | Single Oven..... | 119 |
| Construction Options | 35 | Double Oven..... | 122 |
| Legend and Legend Examples..... | 36 | Accessories..... | 124 |
| Premium Finish Option..... | 37 | Vanity Cabinets | 129 |
| All Plywood Construction, Plywood Ends and Cabinet Front Only..... | 38 | One Door Vanity Cabinets | 130 |
| Construction Comparison and Inverted Frame..... | 39 | Two Door Vanity Cabinets..... | 131 |
| Accessible Height Option..... | 39 | Full-Height Vanity Cabinets..... | 131 |
| Void Top Drawer Option, Void Door Option..... | 40 | Vanity Drawer Base..... | 131 |
| Reduced Depth Option..... | 41 | Vanity Sink Base | 132 |
| Increased Depth Option and Recessed Toe Kick Option..... | 42 | Vanity Combo Sink Base | 135 |
| Remove CushionClose®, Xpress Manufacturing Fee..... | 43 | Vanity Plumbing Skirt..... | 137 |
| Furniture Ends Option, Matching Interior..... | 44 | Vanity Adaptable Sink Base Kit..... | 137 |
| Specialty Door Options & Availability..... | 45 | Vanity Sink Front..... | 137 |
| Open Frame Door Option..... | 47 | Specialty..... | 138 |
| Mullion Frame Door Option..... | 48 | Accessories..... | 139 |
| Decorative Glass Inserts..... | 50 | Vanity Linen..... | 140 |
| Wall Cabinets | 53 | Vanity Linen with Adjustable Shelves..... | 140 |
| Standard and Refrigerator | 54 | Vanity Linen with Deep Roll Out Trays..... | 140 |
| With Spice Rack..... | 56 | Vanity Linen Accessories..... | 141 |
| Wall Top Hinge..... | 56 | Moldings & Decorative Accents | 143 |
| Microwave..... | 57 | Molding..... | 144 |
| Blind..... | 58 | Molding Stacks..... | 149 |
| Corner | 60 | Valances..... | 152 |
| Wall End Angle..... | 62 | Corbels..... | 154 |
| Specialty..... | 62 | Decorative Blocks..... | 157 |
| Range Hoods..... | 65 | Legs and Feet..... | 158 |
| Range Hood Blowers..... | 68 | Split Post and Block..... | 160 |
| Accessories..... | 70 | Panels, Fillers & Installation Items | 161 |
| Base Cabinets | 73 | Panels..... | 162 |
| One Door Base Cabinets..... | 74 | Decorator Matching Doors..... | 165 |
| One Door Base with Accessories | 74 | Fillers..... | 167 |
| One Door Base with Drawer Accessories..... | 76 | Toe Kick..... | 172 |
| Two Door Base Cabinets..... | 77 | Installation Items..... | 172 |
| Two Door Base with Accessories..... | 77 | Decorative Hardware | 175 |
| Two Door Base with Drawer Accessories..... | 78 | Parts Directory | P1 |
| Three Door Base Cabinets..... | 79 | Index | i-x |
| One Door Full-Height Base Cabinets..... | 80 | | |
| One Door Full-Height Base with Accessories | 81 | | |
| Two Door Full-Height Base Cabinets..... | 83 | | |

Warranty, Claims & Information

Designer's Choice® Lifetime Limited Warranty

American Woodmark® hereby warrants to the original purchaser, for residential applications only, that all Designer's Choice cabinets and accessories are free from defects in materials and workmanship. This warranty runs for as long as you own your home and begins upon the date of delivery to you. This warranty is expressly limited to repair or replacement of the defective part at the discretion of American Woodmark, and does not include labor for removal or replacement. This warranty does not extend to defects caused by improper handling, storage, installation, assembly or disassembly, intentional damage, product modifications, exposure to the elements including humidity which may result in warping or splitting, accidental misuse, abuse or negligence.

Natural woods may vary in texture, color and wood grain, and exhibit subtle changes as they age. For example, wood joints may eventually have visible cracking around the joint area and cabinet colors may darken or lighten over time. Sunlight, smoke, moisture, household cleaners and other environmental conditions may cause materials to vary from their original color and/or to warp, split or crack. These variations are considered to be the nature of the material in relation to their environmental exposure and are not covered under this warranty.

Additional Limitations and Disclaimers

AMERICAN WOODMARK MAKES NO OTHER WARRANTIES OTHER THAN THOSE SET FORTH HEREIN AND ALL OTHER WARRANTIES ARE HEREBY DISCLAIMED. THE IMPLIED WARRANTIES OF MERCHANTABILITY AND FITNESS FOR PARTICULAR PURPOSE ARE LIMITED IN DURATION TO THE LENGTH OF THE LIMITED WARRANTY PERIOD. THE LIMITED WARRANTIES SET FORTH HEREIN ARE LIMITED TO THE FIRST AND ORIGINAL BUYER AND ARE NOT TRANSFERABLE THEREAFTER. IN NO EVENT SHALL AMERICAN WOODMARK BE LIABLE FOR INCIDENTAL OR CONSEQUENTIAL DAMAGES TO THE PURCHASER OR TO ANY THIRD PARTY, INCLUDING, WITHOUT LIMITATION, DAMAGES ARISING FROM PERSONAL INJURY, LOST PROFITS, LOSS OF BUSINESS OPPORTUNITY, LOSS OF PROPERTY, ECONOMIC LOSSES, OR STATUTORY OR EXEMPLARY DAMAGES, WHETHER FROM NEGLIGENCE, WARRANTY, STRICT LIABILITY OR OTHERWISE. Some states do not allow the exclusion or limitation of incidental or consequential damages, or limitations on how long an implied warranty lasts, so the above limitations and exclusions may not apply to you. This warranty gives you specific legal rights, and you may also have other rights, which vary from state to state.

Claims

All warranty, missing, or damage claims for cabinets and accessories must be initiated with American Woodmark's Customer Care Team. Please be ready with your order number and a detailed description of any issue present in the cabinets and accessories. Customer Care will determine at their discretion, to either replace defective cabinets and accessories or repair any defects in the cabinets and accessories.

Lost or Damaged No-Charge Replacement Parts

As with any manufactured and shipped product, transportation damage and defects may occur. Should the unexpected arise, we are here to help. Follow our lost or damaged replacement part process below to ensure your customer has everything they need for their project.

- Have your customer check-in and inspect all cabinetry upon delivery.
- Report any shortages or missing items to our Customer Care team within 60 days of delivery.
- Report any defects or shipping damages to our Customer Care team within 90 days of delivery.

When contacting Customer Care for a no-charge replacement, please ensure you have the original order number and a detailed description of the issue. We will work to get any replacements out to you as quickly as possible.

Information

Please visit resources.woodmarkcabinetry.com for all your designer needs.

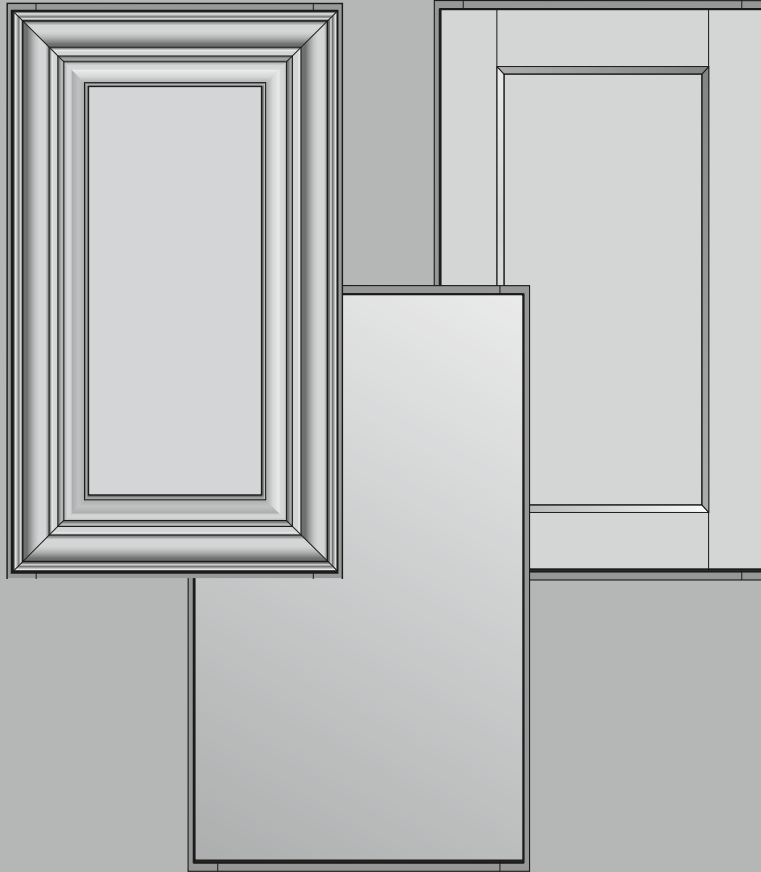
If you would like further clarification about any of our products or processes, please call your exclusive Home Depot Customer Care Professional at **800-677-8182**.

When designing with the American Woodmark Designer's Choice offering, use the **AWCHOICE**, **AWCHOIC2** and **AWCHOIC3** 2020 Catalogs. For the American Woodmark PRO offering, use the **AWPRO**, **AWPRO2** and **AWPRO3** 2020 Catalogs.

CONTINUOUS IMPROVEMENT

In keeping with our policy of continuous product refinement, American Woodmark reserves the right to change specifications in design and materials as conditions require.

Door Style Collections



| | Adelaide | Adelaide w/ DFO | Brookland | Brookland w/ DFO | Garner | Garner w/ DFO | Glen Ellen | Hanover | Leesburg | Leesburg w/ DFO |
|------------------|----------|-----------------|-----------|------------------|--------|---------------|------------|---------|----------|-----------------|
| CHERRY | | | | | | | | | | |
| Amber | | | • | • | | | | • | • | • |
| Clove | | | • | • | | | | • | • | • |
| Slate | | | • | • | | | | • | • | • |
| MAPLE | | | | | | | | | | |
| Almond | • | • | • | • | • | • | | • | • | • |
| Cognac | • | • | • | • | • | • | | • | • | • |
| Latte | • | • | • | • | • | • | | • | • | • |
| Rye | • | • | • | • | • | • | | • | • | • |
| Slate | • | • | • | • | • | • | | • | • | • |
| Truffle | • | • | • | • | • | • | | • | • | • |
| PAINTED* | | | | | | | | | | |
| Black | • | • | • | • | • | • | | • | • | • |
| Boulder | • | • | • | • | • | • | | • | • | • |
| Harbor | • | • | • | • | • | • | | • | • | • |
| Linen | • | • | • | • | • | • | | • | • | • |
| Mist | • | • | • | • | • | • | | • | • | • |
| Navy | • | • | • | • | • | • | | • | • | • |
| Sage | • | • | • | • | • | • | | • | • | • |
| Stone | • | • | • | • | • | • | | • | • | • |
| Vanilla | • | • | • | • | • | • | | • | • | • |
| Biscotti Glaze | • | • | • | • | • | • | | | | |
| Ember Glaze | • | • | • | • | • | • | | | | |
| Pewter Glaze | • | • | • | • | • | • | | | | |
| DURAFORM® | | | | | | | | | | |
| Breeze | | | | | | | | • | | |
| Drift | | | | | | | | • | | |
| Espresso | | | • | • | | | • | • | • | • |
| Harbor | | | • | • | | | • | | • | • |
| Linen | | | • | • | | | • | | • | • |
| Stone | | | • | • | | | • | | • | • |

*Premium Finish

| | MacArthur | Portola | Portola w/ DFO | Reading | Reading w/ DFO | Remy | Remy w/ DFO | San Mateo | Savannah | Westerly | Westerly w/ DFO |
|------------------|-----------|---------|----------------|---------|----------------|------|-------------|-----------|----------|----------|-----------------|
| CHERRY | | | | | | | | | | | |
| Amber | • | • | • | • | • | • | • | | • | | |
| Clove | • | • | • | • | • | • | • | | • | | |
| Slate | • | • | • | • | • | • | • | | • | | |
| MAPLE | | | | | | | | | | | |
| Almond | • | • | • | • | • | • | • | • | • | • | • |
| Cognac | • | • | • | • | • | • | • | • | • | • | • |
| Latte | • | • | • | • | • | • | • | • | • | • | • |
| Rye | • | • | • | • | • | • | • | • | • | • | • |
| Slate | • | • | • | • | • | • | • | • | • | • | • |
| Truffle | • | • | • | • | • | • | • | • | • | • | • |
| PAINTED* | | | | | | | | | | | |
| Black | • | • | • | • | • | • | • | • | • | • | • |
| Boulder | • | • | • | • | • | • | • | • | • | • | • |
| Harbor | • | • | • | • | • | • | • | • | • | • | • |
| Linen | • | • | • | • | • | • | • | • | • | • | • |
| Mist | • | • | • | • | • | • | • | • | • | • | • |
| Navy | • | • | • | • | • | • | • | • | • | • | • |
| Sage | • | • | • | • | • | • | • | • | • | • | • |
| Stone | • | • | • | • | • | • | • | • | • | • | • |
| Vanilla | • | • | • | • | • | • | • | • | • | • | • |
| Biscotti Glaze | • | • | • | | | | | | • | • | • |
| Ember Glaze | • | • | • | | | | | | • | • | • |
| Pewter Glaze | • | • | • | | | | | | • | • | • |
| DURAFORM® | | | | | | | | | | | |
| Breeze | | | | | • | | | | | | |
| Drift | | | | | • | | | | | | |
| Espresso | | | | | | | | • | | | |
| Harbor | | | | | | | | • | | | |
| Linen | | • | | | | | | • | | | |
| Stone | | | | | | | | • | | | |

*Premium Finish

Adelaide

NEW! FINISH

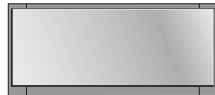
Adelaide



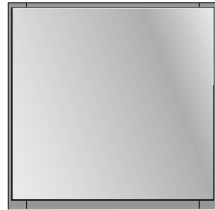
Door



Kneehole Drawer Front



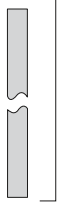
Standard Drawer Front



Large Drawer Front



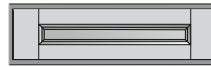
Cross Section



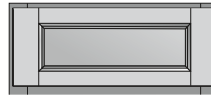
Adelaide w/ DFO



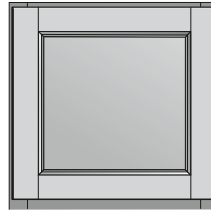
Door



Kneehole Drawer Front



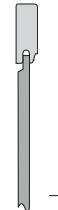
Standard Drawer Front



Large Drawer Front

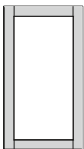


Cross Section



Door Style Details

| | |
|--|-------------------------------|
| Door Description: | Recessed Panel |
| Door Rail & Stile Width: | 2 1/4" |
| Adelaide Drawer Description: | Slab |
| Adelaide w/ DFO Drawer Description: | 5-Piece with Recessed Panel |
| Overlay | Full Overlay (FOL) |
| Tall Door Details: | Center Rail on 50" High Doors |
| Decorative Hardware: | Required |
| Specialty Doors: | OFD (See page 45 for details) |



OFD

Available Finishes

| MAPLE | FINISH | ADELAIDE | ADELAIDE W/ DFO |
|----------|----------------|--------------|-----------------|
| | Almond | 74GGS | 75GGS |
| | Cognac | 74MRS | 75MRS |
| | Latte | 74GAS | 75GAS |
| | Rye | 74MTS | 75MTS |
| | Slate | 74GES | 75GES |
| | Truffle | 74MBS | 75MBS |
| PAINTED* | FINISH | ADELAIDE | ADELAIDE W/ DFO |
| | Biscotti Glaze | 74FVF | 75FVF |
| | Black | 74FDS | 75FDS |
| | Boulder | 74MIS | 75MIS |
| | Ember Glaze | 74MKS | 75MKS |
| | Harbor | 74MKS | 75MKS |
| | Linen | 74MPS | 75MPS |
| | Mist | 74FHS | 75FHS |
| | Navy | 74FBS | 75FBS |
| | Pewter Glaze | 74MPQ | 75MPQ |
| | Sage | 74FCS | 75FCS |
| | Stone | 74MYS | 75MYS |
| | Vanilla | 74FVS | 75FVS |

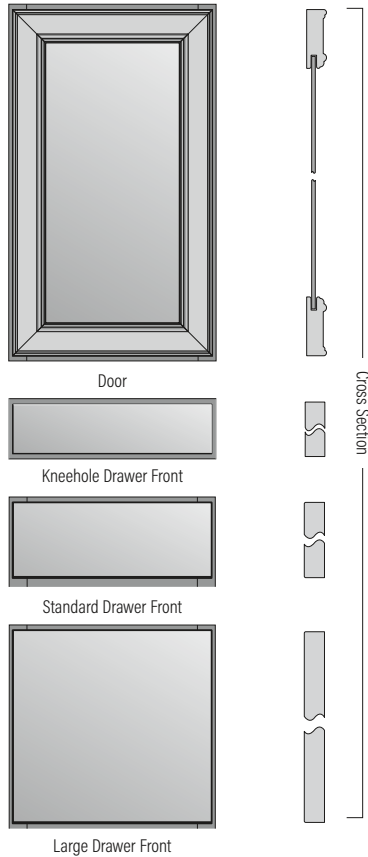
*Premium finish

Brookland

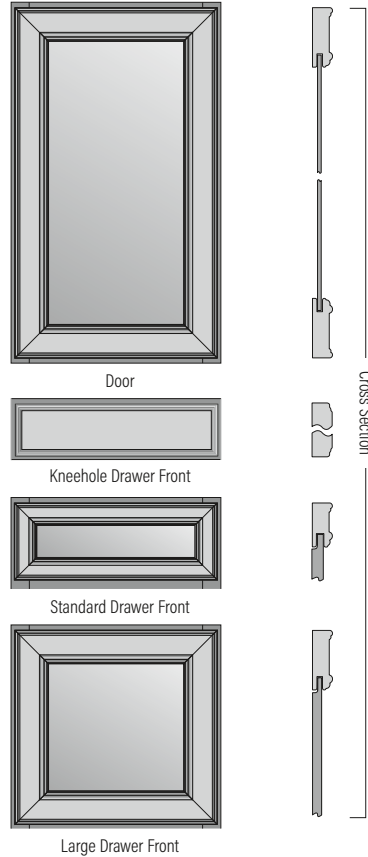
NEW! FINISHES

DOOR STYLES

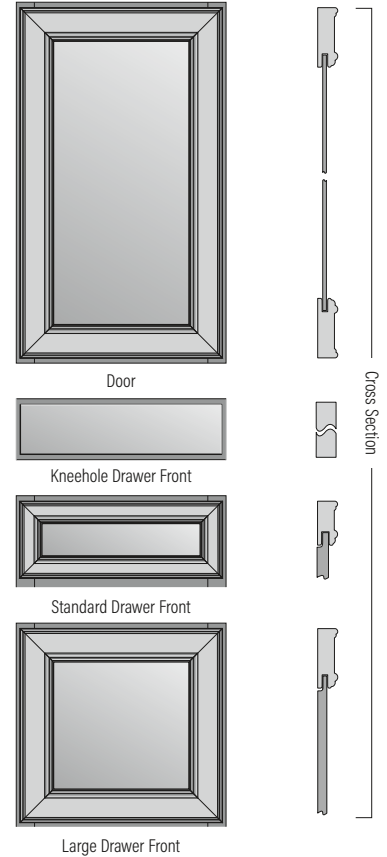
Brookland/Brookland Duraform



Brookland w/ DFO

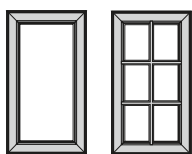


Brookland Duraform w/ DFO



Door Style Details

| | |
|---|-------------------------------------|
| Door Description: | Mitered with Recessed Panel |
| Door Rail & Stile Width: | 2 1/4" |
| Brookland Drawer Description: | Slab |
| Brookland w/ DFO Drawer Description: | Mitered 5-Piece with Recessed Panel |
| Overlay | Full Overlay (FOL) |
| Tall Door Details: | No Center Rail on 50" High Doors |
| Decorative Hardware: | Required |
| Duraform Material: | Polypropylene |
| Specialty Doors: | OFD, MFD (See page 45 for details) |



OFD ■ MFD

■ Not available for Duraform

Available Finishes

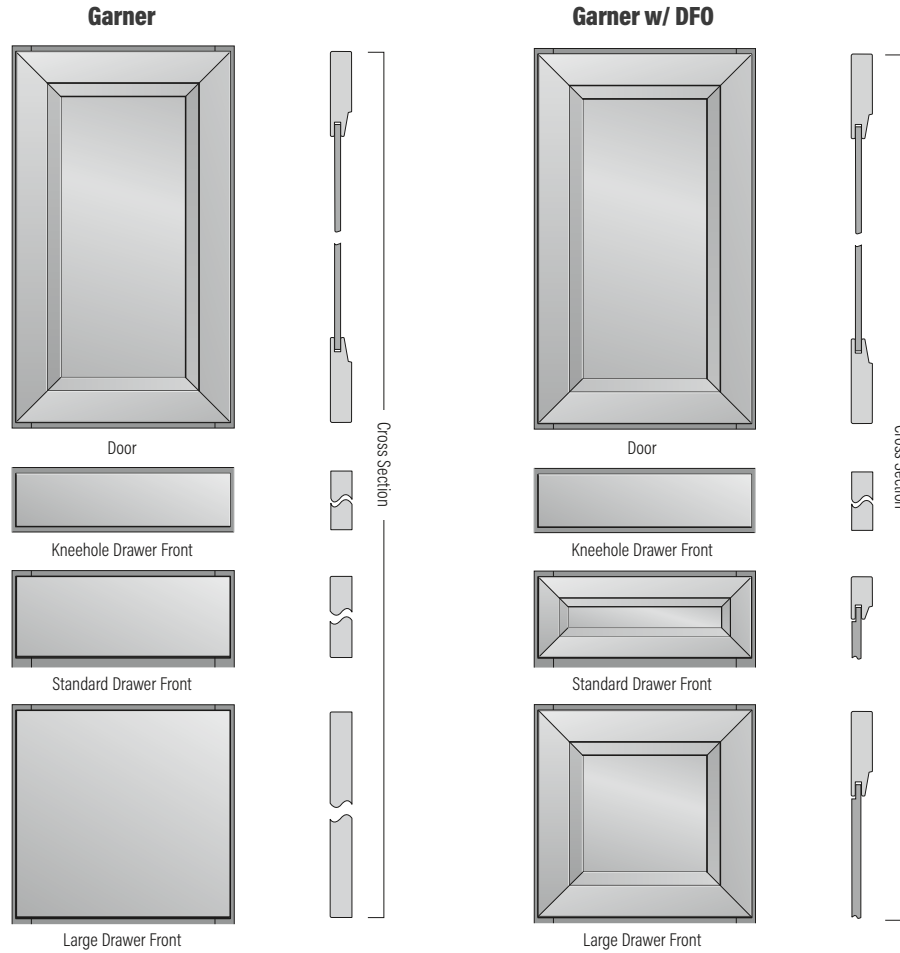
| CHERRY | FINISH | BROOKLAND | BROOKLAND W/ DFO | BROOKLAND DURAFORM W/ DFO |
|----------|-------------------------------|--------------------|------------------|---------------------------|
| | Amber | 20CFS | 30CFS | - |
| | Clove | 20CTS | 30CTS | - |
| | Slate | 20CES | 30CES | - |
| MAPLE | FINISH | BROOKLAND | BROOKLAND W/ DFO | BROOKLAND DURAFORM W/ DFO |
| | Almond | 20GGS | 30GGS | - |
| | Cognac | 20MRS | 30MRS | - |
| | Latte | 20GAS | 30GAS | - |
| | Rye | 20MTS | 30MTS | - |
| | Slate | 20GES | 30GES | - |
| | Truffle | 20MBS | 30MBS | - |
| PAINTED* | FINISH | BROOKLAND | BROOKLAND W/ DFO | BROOKLAND DURAFORM W/ DFO |
| | Biscotti Glaze | 20FVF | 30FVF | - |
| | Black | 20FDS | 30FDS | - |
| | Boulder | 20MIS | 30MIS | - |
| | Ember Glaze | 20MKO | 30MKO | - |
| | Harbor | 20MKS | 30MKS | - |
| | Linen | 20MPS | 30MPS | - |
| | Mist | 20FHS | 30FHS | - |
| | Navy | 20FBS | 30FBS | - |
| | Pewter Glaze | 20MPQ | 30MPQ | - |
| | Sage | 20FCS | 30FCS | - |
| | Stone | 20MYS | 30MYS | - |
| | Vanilla | 20FVS | 30FVS | - |
| DURAFORM | FINISH | BROOKLAND DURAFORM | BROOKLAND W/ DFO | BROOKLAND DURAFORM W/ DFO |
| | Espresso (▲Black Cabinet Box) | 20EJS | - | 30EJS |
| | Harbor | 20EKS | - | 30EKS |
| | Linen | 20EPS | - | 30EPS |
| | Stone | 20EYS | - | 30EYS |

*Premium finish

▲ Doors, Drawer Fronts and select moldings (see molding SKU boxes for details) are Duraform Espresso. All other finished cabinet and accessory surfaces will be in the indicated box finish above.

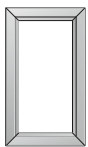
Garner

NEW! FINISH



Door Style Details

| | |
|--|-------------------------------------|
| Door Description: | Mitered with Recessed Panel |
| Door Rail & Stile Width: | 3" |
| Garner Drawer Description: | Slab |
| Garner w/ DFO Drawer Description: | Mitered 5-Piece with Recessed Panel |
| Overlay | Full Overlay (FOL) |
| Tall Door Details: | No Center Rail on 50" High Doors |
| Decorative Hardware: | Required |
| Specialty Doors: | OFD (See page 45 for details) |



OFD

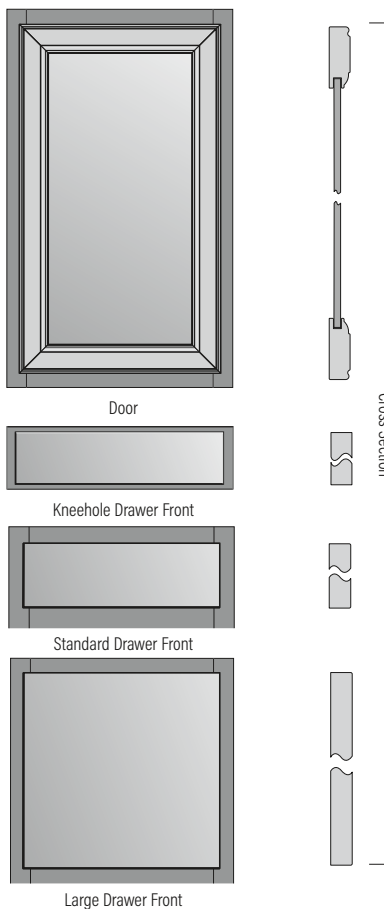
Available Finishes

| MAPLE | FINISH | GARNER | GARNER W/ DFO |
|----------|----------------|--------|---------------|
| | Almond | 57GGS | 58GGS |
| | Cognac | 57MRS | 58MRS |
| | Latte | 57GAS | 58GAS |
| | Rye | 57MTS | 58MTS |
| | Slate | 57GES | 58GES |
| | Truffle | 57MBS | 58MBS |
| PAINTED* | FINISH | GARNER | GARNER W/ DFO |
| | Biscotti Glaze | 57FVF | 58FVF |
| | Black | 57FDS | 58FDS |
| | Boulder | 57MIS | 58MIS |
| | Ember Glaze | 57MKO | 58MKO |
| | Harbor | 57MKS | 58MKS |
| | Linen | 57MPS | 58MPS |
| | Mist | 57FHS | 58FHS |
| | Navy | 57FBS | 58FBS |
| | Pewter Glaze | 57MPQ | 58MPQ |
| | Sage | 57FCS | 58FCS |
| | Stone | 57MYS | 58MYS |
| | Vanilla | 57FVS | 58FVS |

*Premium finish

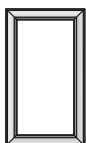
Glen Ellen

Glen Ellen



Door Style Details

| | |
|---------------------------------------|----------------------------------|
| Door Description: | Mitered with Recessed Panel |
| Door Rail & Stile Width: | 2 1/4" |
| Glen Ellen Drawer Description: | Slab |
| Overlay | Partial Overlay (POL) |
| Tall Door Details: | No Center Rail on 50" High Doors |
| Decorative Hardware: | Recommended |
| Specialty Doors: | OFD (See page 45 for details) |



OFD

Available Finishes

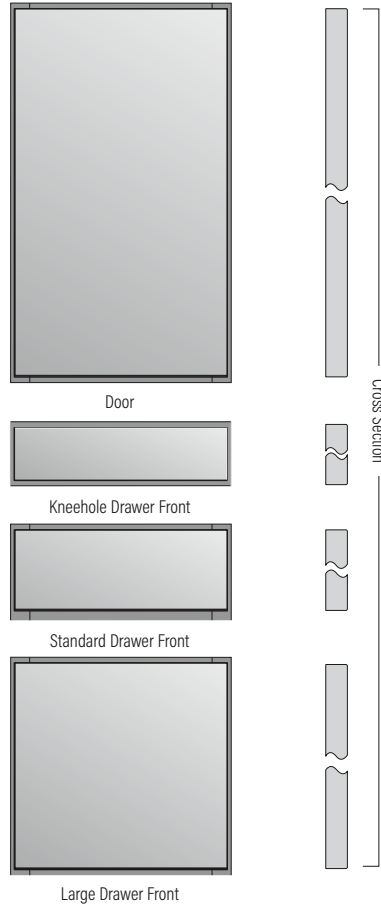
| DURAFORM | FINISH | GLEN ELLEN |
|----------|-------------------------------|------------|
| | Espresso (▲Black Cabinet Box) | 08EJS |
| | Harbor | 08EKS |
| | Linen | 08EPS |
| | Stone | 08EYS |

▲ Doors, Drawer Fronts and select moldings (see molding SKU boxes for details) are Duraform Espresso. All other finished cabinet and accessory surfaces will be in the indicated box finish above.

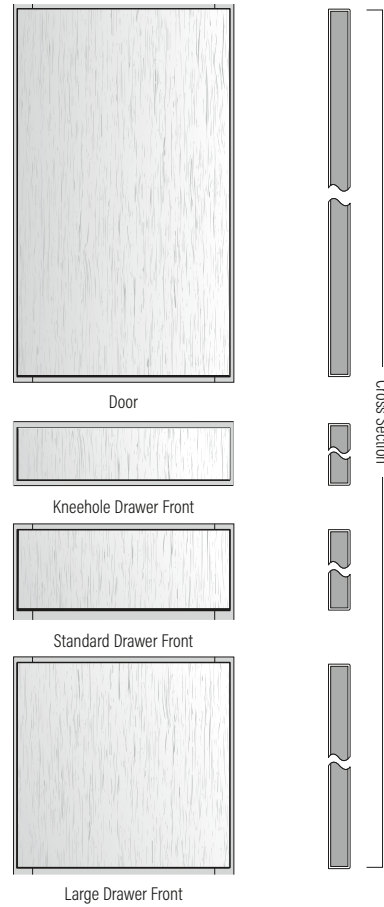
Hanover

NEW! FINISHES

Hanover/Hanover Duraform



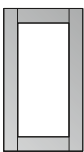
Hanover Duraform (Textured)



Door Style Details

| | |
|--|----------------------------------|
| Door Description: | Slab ■ |
| Door Rail & Stile Width: | 3" (on OFD doors) |
| Drawer Description: | Slab ■ |
| Overlay | Full Overlay (FOL) |
| Tall Door Details: | No Center Rail on 50" High Doors |
| Espresso Duraform Material: | Polypropelene |
| Breeze/Drift Duraform Material: | Textured PVC-wrapped |
| Decorative Hardware: | Required |
| Specialty Doors: | OFD (See page 45 for details) |

■ Stained and Duraform finishes feature edge-banding on all sides



OFD

Available Finishes

| CHERRY | FINISH | HANOVER | HANOVER DURAFORM (TEXTURED) |
|----------|--------------------------------|------------------|-----------------------------|
| | Amber | 39CFS | - |
| | Clove | 39CTS | - |
| | Slate | 39CES | - |
| MAPLE | FINISH | HANOVER | HANOVER DURAFORM (TEXTURED) |
| | Almond | 39GGS | - |
| | Cognac | 39MRS | - |
| | Latte | 39GAS | - |
| | Rye | 39MTS | - |
| | Slate | 39GES | - |
| | Truffle | 39MBS | - |
| PAINTED* | FINISH | HANOVER | HANOVER DURAFORM (TEXTURED) |
| | Black | 39FDS | - |
| | Boulder | 39MIS | - |
| | Harbor | 39MKS | - |
| | Linen | 39MPS | - |
| | Mist | 39FHS | - |
| | Navy | 39FBS | - |
| | Sage | 39FCS | - |
| | Stone | 39MYS | - |
| | Vanilla | 39FVS | - |
| DURAFORM | FINISH | HANOVER DURAFORM | HANOVER DURAFORM (TEXTURED) |
| | Espresso (▲ Black Cabinet Box) | 39EJS | - |
| | Breeze (◆ Linen Cabinet Box) | - | 39EPA |
| | Drift (◆ Harbor Cabinet Box) | - | 39EKB |

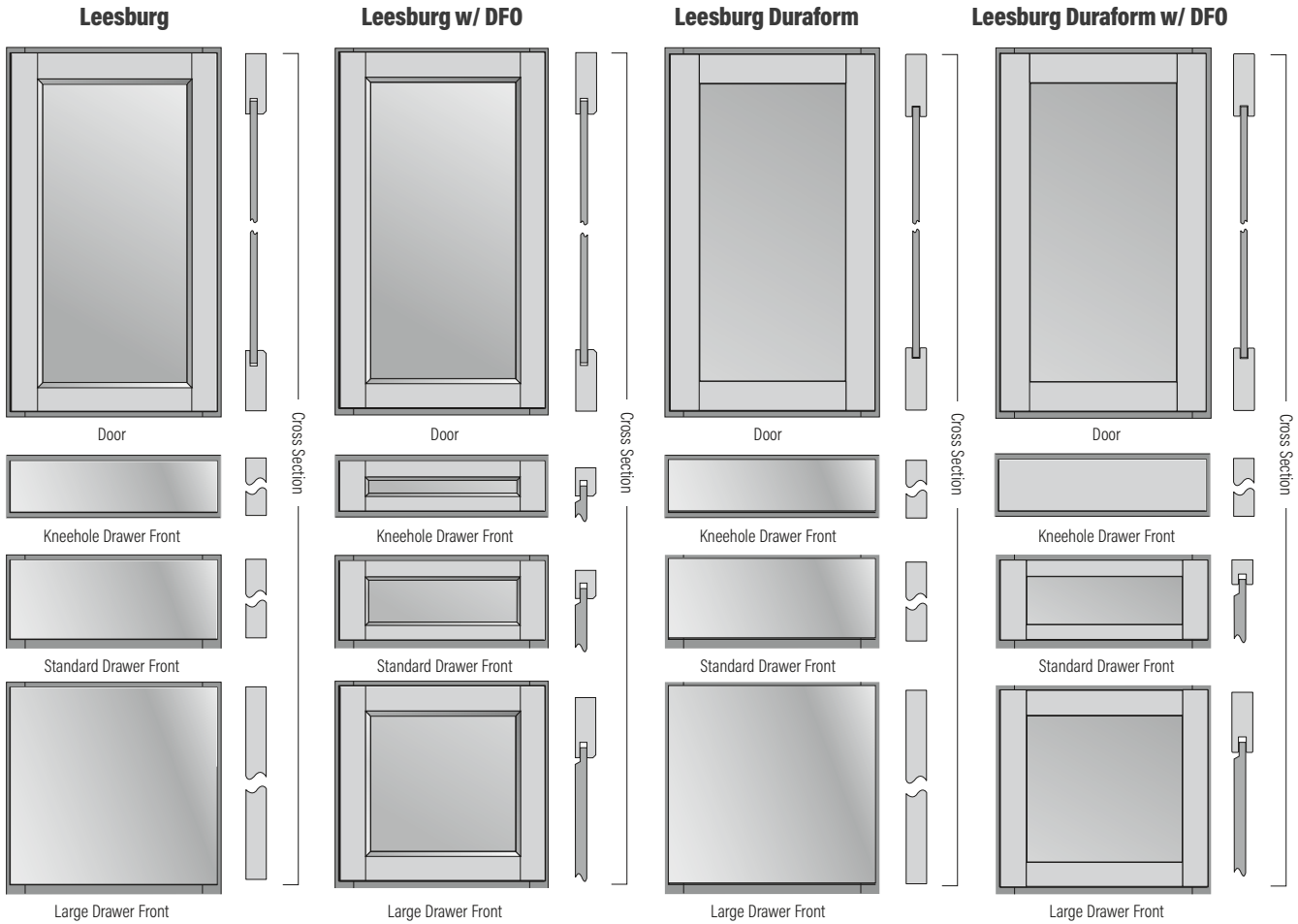
*Premium finish

▲ Doors, Drawer Fronts and select moldings (see molding SKU boxes for details) are Duraform Espresso. All other finished cabinet and accessory surfaces will be in the indicated box finish above.

◆ Doors, Drawer Fronts and select SKUs (___DT) are Textured Duraform. All other finished cabinet and accessory surfaces will be in the indicated box finish above.

Leesburg

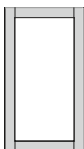
NEW! FINISHES



Door Style Details

| | |
|--|---------------------------------|
| Door Description: | Recessed Panel |
| Door Rail & Stile Width: | 2 1/4" |
| Leesburg Drawer Description: | Slab |
| Leesburg w/ DFO Drawer Description: | 5-Piece with Recessed Panel |
| Overlay | Full Overlay (FOL) |
| Tall Door Details: | Center Rail on 50" High Doors ■ |
| Decorative Hardware: | Required |
| Duraform Material: | Polypropylene |
| Specialty Doors: | OFD (See page 45 for details) |

■ Duraform door styles do not have center rails on 50" high doors



OFD

Available Finishes

| CHERRY | FINISH | LEESBURG | LEESBURG W/ DFO | LEESBURG DURAFORM | LEESBURG DURAFORM W/ DFO |
|----------|--------------------------------|----------|-----------------|-------------------|--------------------------|
| | Amber | 28CFS | 29CFS | - | - |
| | Clove | 28CTS | 29CTS | - | - |
| | Slate | 28CES | 29CES | - | - |
| MAPLE | FINISH | LEESBURG | LEESBURG W/ DFO | LEESBURG DURAFORM | LEESBURG DURAFORM W/ DFO |
| | Almond | 28GGS | 29GGS | - | - |
| | Cognac | 28MRS | 29MRS | - | - |
| | Latte | 28GAS | 29GAS | - | - |
| | Rye | 28MTS | 29MTS | - | - |
| | Slate | 28GES | 29GES | - | - |
| | Truffle | 28MBS | 29MBS | - | - |
| PAINTED* | FINISH | LEESBURG | LEESBURG W/ DFO | LEESBURG DURAFORM | LEESBURG DURAFORM W/ DFO |
| | Black | 28FDS | 29FDS | - | - |
| | Boulder | 28MIS | 29MIS | - | - |
| | Harbor | 28MKS | 29MKS | - | - |
| | Linen | 28MPS | 29MPS | - | - |
| | Mist | 28FHS | 29FHS | - | - |
| | Navy | 28FBS | 29FBS | - | - |
| | Sage | 28FCS | 29FCS | - | - |
| | Stone | 28MYS | 29MYS | - | - |
| | Vanilla | 28FVS | 29FVS | - | - |
| DURAFORM | FINISH | LEESBURG | LEESBURG W/ DFO | LEESBURG DURAFORM | LEESBURG DURAFORM W/ DFO |
| | Espresso (▲ Black Cabinet Box) | - | - | 28EJS | 29EJS |
| | Harbor | - | - | 28EKS | 29EKS |
| | Linen | - | - | 28EPS | 29EPS |
| | Stone | - | - | 28EYS | 29EYS |

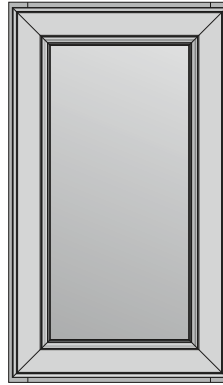
*Premium finish

▲ Doors, Drawer Fronts and select moldings (see molding SKU boxes for details) are Duraform Espresso. All other finished cabinet and accessory surfaces will be in the indicated box finish above.

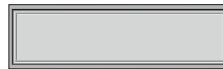
MacArthur

NEW! FINISHES

MacArthur



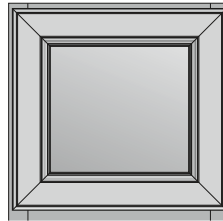
Door



Kneehole Drawer Front



Standard Drawer Front



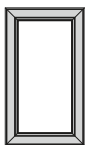
Large Drawer Front



Cross Section

Door Style Details

| | |
|-------------------------------------|-------------------------------------|
| Door Description: | Mitered with Recessed Panel |
| Door Rail & Stile Width: | 3" |
| Drawer Description: | Mitered 5-Piece with Recessed Panel |
| Overlay | Full Overlay (FOL) |
| Tall Door Details: | No Center Rail on 50" High Doors |
| Decorative Hardware: | Required |
| Specialty Doors | OFD (See page 45 for details) |



OFD

Available Finishes

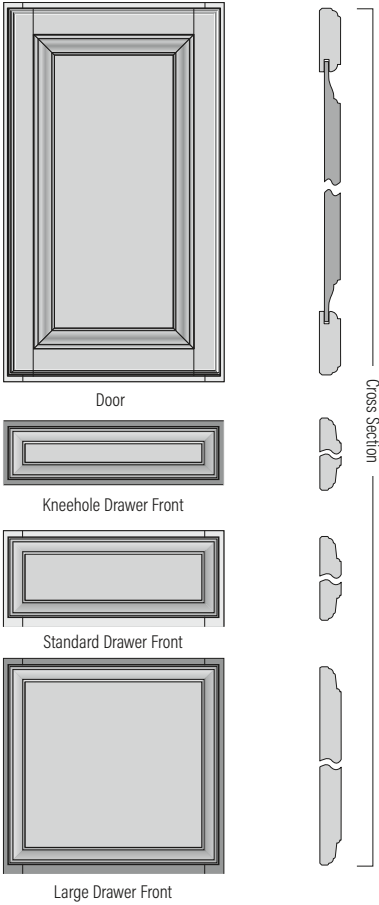
| CHERRY | FINISH | MACARTHUR |
|----------|----------------|-----------|
| | Amber | 54CFS |
| | Clove | 54CTS |
| | Slate | 54CES |
| MAPLE | FINISH | MACARTHUR |
| | Almond | 54GGS |
| | Cognac | 54MRS |
| | Latte | 54GAS |
| | Rye | 54MTS |
| | Slate | 54GES |
| | Truffle | 54MBS |
| PAINTED* | FINISH | MACARTHUR |
| | Biscotti Glaze | 54FVF |
| | Black | 54FDS |
| | Boulder | 54MIS |
| | Ember Glaze | 54MKO |
| | Harbor | 54MKS |
| | Linen | 54MPS |
| | Mist | 54FHS |
| | Navy | 54FBS |
| | Pewter Glaze | 54MPQ |
| | Sage | 54FCS |
| | Stone | 54MYS |
| | Vanilla | 54FVS |

*Premium finish

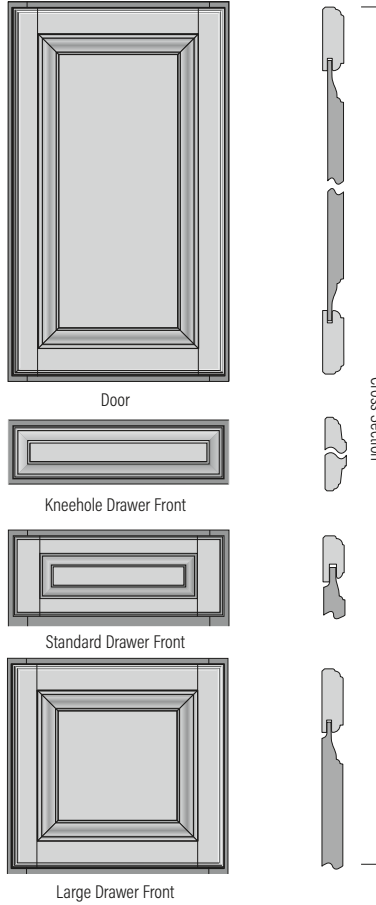
Portola

NEW! FINISHES

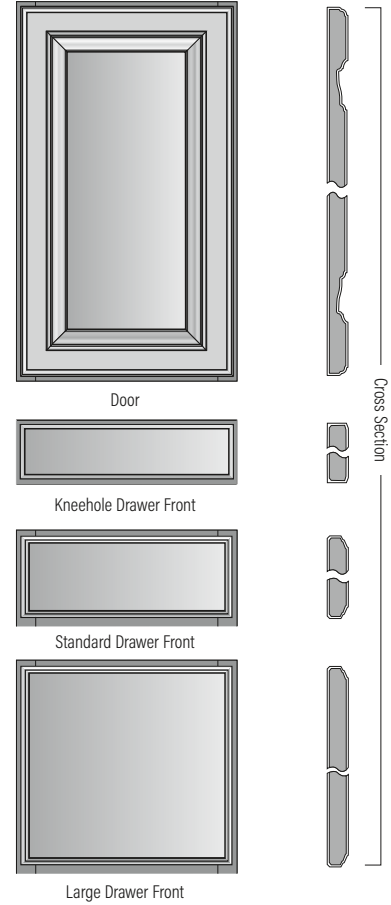
Portola



Portola w/ DFO



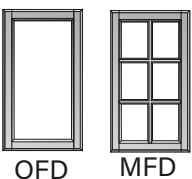
Portola Duraform



Door Style Details

| | |
|---|------------------------------------|
| Door Description: | Raised Panel |
| Door Rail & Stile Width: | 2 1/4" |
| Portola Drawer Description: | Detailed Slab |
| Portola w/ DFO Drawer Description: | 5-Piece with Raised Panel |
| Overlay | Full Overlay (FOL) |
| Tall Door Details: | Center Rail on 50" High Doors ■ |
| Decorative Hardware: | Required |
| Duraform Material: | Thermofoil |
| Specialty Doors: | OFD, MFD (See page 45 for details) |

■ Duraform door styles do not have center rails on 50" high doors



Available Finishes

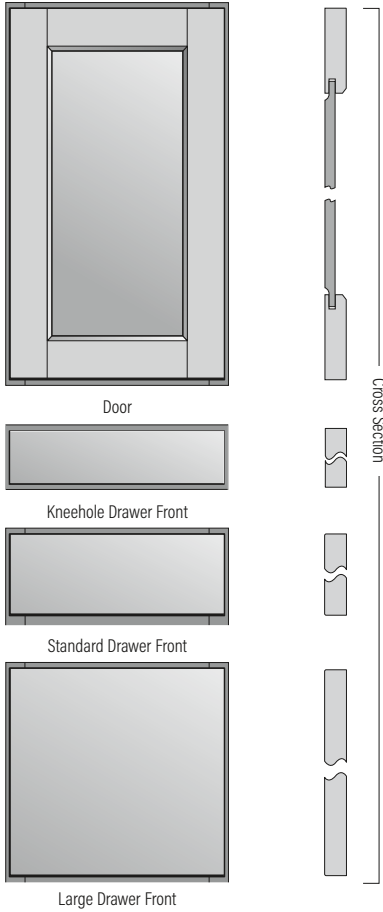
| CHERRY | FINISH | PORTOLA | PORTOLA W/ DFO | PORTOLA DURAFORM |
|----------|----------------|---------|----------------|------------------|
| | Amber | 44CFS | 47CFS | - |
| | Clove | 44CTS | 47CTS | - |
| | Slate | 44CES | 47CES | - |
| MAPLE | FINISH | PORTOLA | PORTOLA W/ DFO | PORTOLA DURAFORM |
| | Almond | 44GGS | 47GGS | - |
| | Cognac | 44MRS | 47MRS | - |
| | Latte | 44GAS | 47GAS | - |
| | Rye | 44MTS | 47MTS | - |
| | Slate | 44GES | 47GES | - |
| | Truffle | 44MBS | 47MBS | - |
| PAINTED* | FINISH | PORTOLA | PORTOLA W/ DFO | PORTOLA DURAFORM |
| | Biscotti Glaze | 44FVF | 47FVF | - |
| | Black | 44FDS | 47FDS | - |
| | Boulder | 44MIS | 47MIS | - |
| | Ember Glaze | 44MKO | 47MKO | - |
| | Harbor | 44MKS | 47MKS | - |
| | Linen | 44MPS | 47MPS | - |
| | Mist | 44FHS | 47FHS | - |
| | Navy | 44FBS | 47FBS | - |
| | Pewter Glaze | 44MPQ | 47MPQ | - |
| | Sage | 44FCS | 47FCS | - |
| | Stone | 44MYS | 47MYS | - |
| | Vanilla | 44FVS | 47FVS | - |
| DURAFORM | FINISH | PORTOLA | PORTOLA W/ DFO | PORTOLA DURAFORM |
| | Linen | - | - | 15W |

*Premium finish

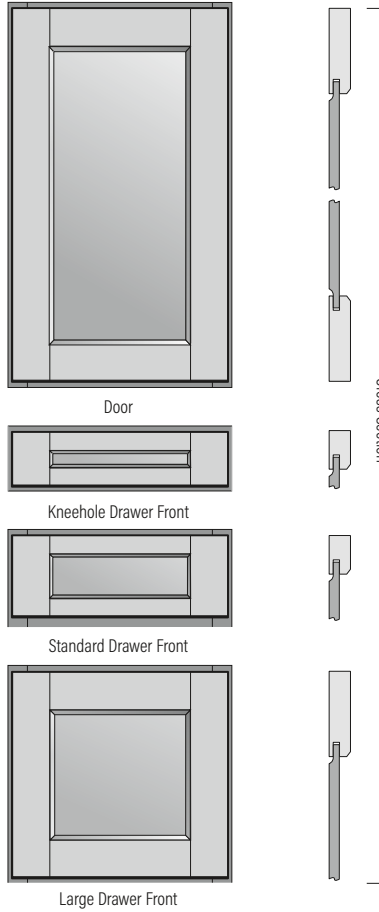
Reading

NEW! FINISHES

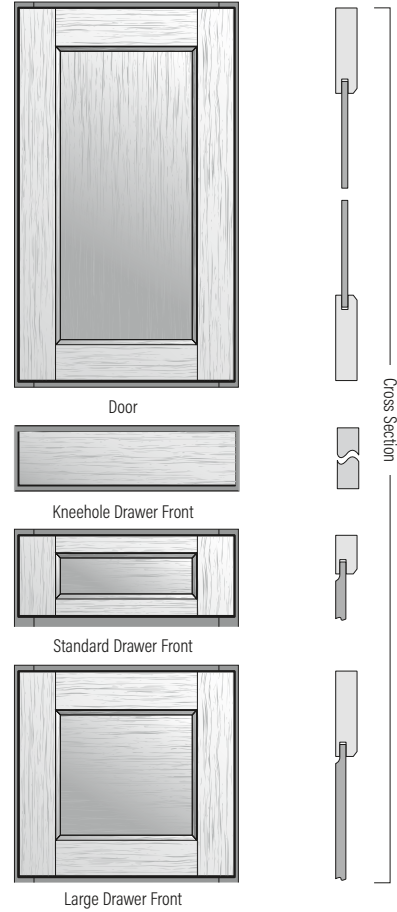
Reading



Reading w/ DFO



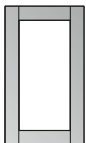
Reading Duraform w/ DFO (Textured)



Door Style Details

| | |
|---|---------------------------------|
| Door Description: | Recessed Panel |
| Door Rail & Stile Width: | 3" |
| Reading Drawer Description: | Slab |
| Reading w/ DFO Drawer Description: | 5-Piece with Recessed Panel |
| Overlay | Full Overlay (FOL) |
| Tall Door Details: | Center Rail on 50" High Doors ■ |
| Decorative Hardware: | Required |
| Duraform Material: | Textured PVC-wrapped |
| Specialty Doors | OFD (See page 45 for details) |

■ Duraform door styles do not have center rails on 50" high doors



OFD

Available Finishes

| CHERRY | FINISH | READING | READING W/ DFO | READING DURAFORM W/ DFO (TEXTURED) |
|----------|------------------------------|---------|----------------|------------------------------------|
| | Amber | 40CFS | 42CFS | - |
| | Clove | 40CTS | 42CTS | - |
| | Slate | 40CES | 42CES | - |
| MAPLE | FINISH | READING | READING W/ DFO | READING DURAFORM W/ DFO (TEXTURED) |
| | Almond | 40GGS | 42GGS | - |
| | Cognac | 40MRS | 42MRS | - |
| | Latte | 40GAS | 42GAS | - |
| | Rye | 40MTS | 42MTS | - |
| | Slate | 40GES | 42GES | - |
| | Truffle | 40MBS | 42MBS | - |
| PAINTED* | FINISH | READING | READING W/ DFO | READING DURAFORM W/ DFO (TEXTURED) |
| | Black | 40FDS | 42FDS | - |
| | Boulder | 40MIS | 42MIS | - |
| | Harbor | 40MKS | 42MKS | - |
| | Linen | 40MPS | 42MPS | - |
| | Mist | 40FHS | 42FHS | - |
| | Navy | 40FBS | 42FBS | - |
| | Sage | 40FCS | 42FCS | - |
| | Stone | 40MYS | 42MYS | - |
| | Vanilla | 40FVS | 42FVS | - |
| DURAFORM | FINISH | READING | READING W/ DFO | READING DURAFORM W/ DFO (TEXTURED) |
| | Breeze (◆ Linen Cabinet Box) | - | - | 42EPA |
| | Drift (◆ Harbor Cabinet Box) | - | - | 42EKB |

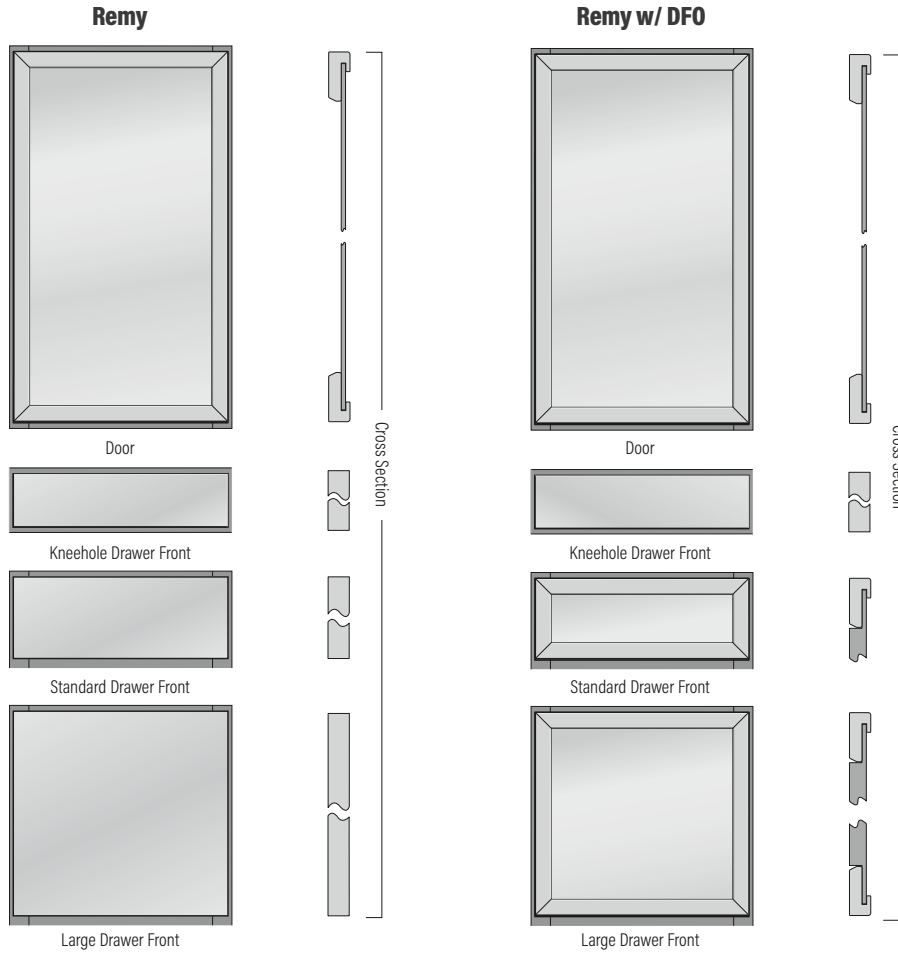
*Premium finish

◆ Doors, Drawer Fronts and select SKUs (___DT) are Textured Duraform. All other finished cabinet and accessory surfaces will be in the indicated box finish above.

Remy

NEW! DOOR STYLE

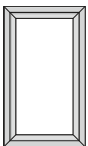
NEW! FINISHES



Door Style Details

| | |
|--|-------------------------------------|
| Door Description: | Mitered with Recessed Panel |
| Door Rail & Stile Width: | 3/4" (2 1/4" on OFD Doors) |
| Remy Drawer Description: | Slab |
| Remy w/ DFO Drawer Description: | Mitered 5-Piece with Recessed Panel |
| Overlay | Full Overlay (FOL) |
| Tall Door Details: | No Center Rail on 50" High Doors |
| Decorative Hardware: | Required ■ |
| Specialty Doors: | OFD (See page 45 for details) |

■ Cannot drill more than 1 1/2" from outside edges of door



OFD

Available Finishes

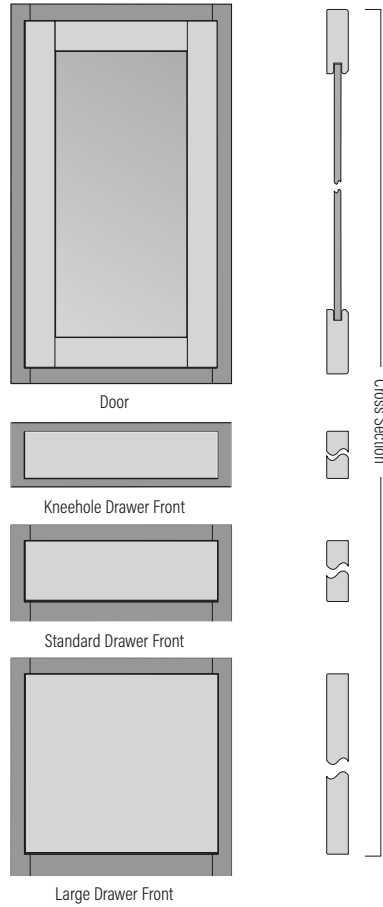
| CHERRY | FINISH | REMY | REMY W/ DFO |
|----------|---------|-------|-------------|
| | Amber | 78CFS | 79CFS |
| | Clove | 78CTS | 79CTS |
| | Slate | 78CES | 79CES |
| MAPLE | FINISH | REMY | REMY W/ DFO |
| | Almond | 78GGS | 79GGS |
| | Cognac | 78MRS | 79MRS |
| | Latte | 78GAS | 79GAS |
| | Rye | 78MTS | 79MTS |
| | Slate | 78GES | 79GES |
| | Truffle | 78MBS | 79MBS |
| PAINTED* | FINISH | REMY | REMY W/ DFO |
| | Black | 78FDS | 79FDS |
| | Boulder | 78MIS | 79MIS |
| | Harbor | 78MKS | 79MKS |
| | Linen | 78MPS | 79MPS |
| | Mist | 78FHS | 79FHS |
| | Navy | 78FBS | 79FBS |
| | Sage | 78FCS | 79FCS |
| | Stone | 78MYS | 79MYS |
| | Vanilla | 78FVS | 79FVS |

*Premium finish

San Mateo

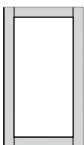
NEW! FINISH

San Mateo



Door Style Details

| | |
|-------------------------------------|----------------------------------|
| Door Description: | Recessed Panel |
| Door Rail & Stile Width: | 2 1/4" |
| Drawer Description: | Slab |
| Overlay | Partial Overlay (POL) |
| Tall Door Details: | No Center Rail on 50" High Doors |
| Decorative Hardware: | Recommended |
| Specialty Doors: | OFD (See page 45 for details) |



OFD

Available Finishes

| MAPLE | FINISH | SAN MATEO |
|----------|--------------------------------|-----------|
| | Almond | 19GGS |
| | Cognac | 19MRS |
| | Latte | 19GAS |
| | Rye | 19MTS |
| | Slate | 19GES |
| | Truffle | 19MBS |
| PAINTED* | FINISH | SAN MATEO |
| | Black | 19FDS |
| | Boulder | 19MIS |
| | Harbor | 19MKS |
| | Linen | 19MPS |
| | Mist | 19FHS |
| | Navy | 19FBS |
| | Sage | 19FCS |
| | Stone | 19MYS |
| | Vanilla | 19FVS |
| DURAFORM | FINISH | SAN MATEO |
| | Espresso (▲ Black Cabinet Box) | 19EJS |
| | Harbor | 19EKS |
| | Linen | 19EPS |
| | Stone | 19EYS |

*Premium finish

▲ Doors, Drawer Fronts and select moldings (see molding SKU boxes for details) are Duraform Espresso. All other finished cabinet and accessory surfaces will be in the indicated box finish above.

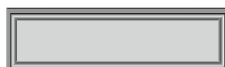
Savannah

NEW! FINISHES

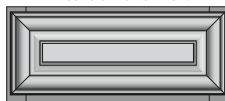
Savannah



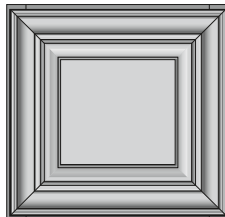
Door



Kneehole Drawer Front



Standard Drawer Front



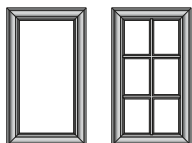
Large Drawer Front



Cross Section

Door Style Details

| | |
|-------------------------------------|------------------------------------|
| Door Description: | Mitered with Raised Panel |
| Door Rail & Stile Width: | 3" |
| Drawer Description: | Mitered 5-Piece with Raised Panel |
| Overlay | Full Overlay (FOL) |
| Tall Door Details: | Center Rail on 50" High Doors |
| Decorative Hardware: | Required |
| Specialty Doors | OFD, MFD (See page 45 for details) |



OFD

MFD

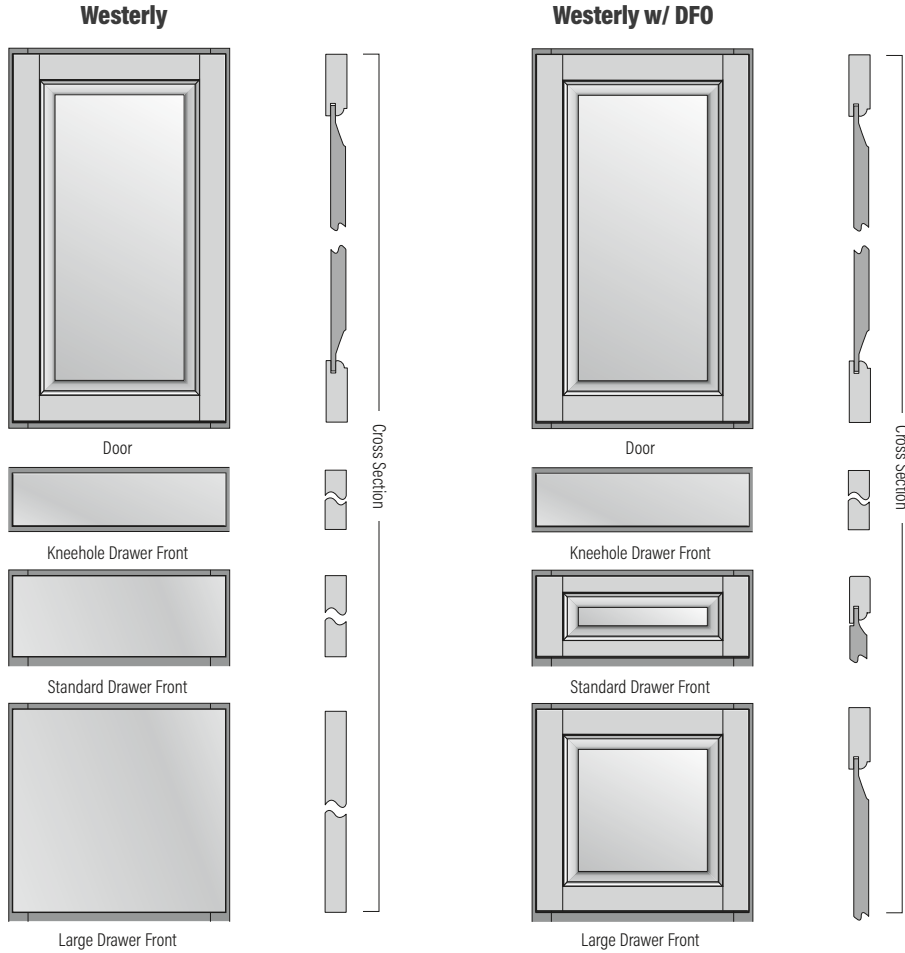
Available Finishes

| CHERRY | FINISH | SAVANNAH |
|----------|----------------|----------|
| | Amber | 35CFS |
| | Clove | 35CTS |
| | Slate | 35CES |
| MAPLE | FINISH | SAVANNAH |
| | Almond | 35GGS |
| | Cognac | 35MRS |
| | Latte | 35GAS |
| | Rye | 35MTS |
| | Slate | 35GES |
| | Truffle | 35MBS |
| PAINTED* | FINISH | SAVANNAH |
| | Biscotti Glaze | 35FVF |
| | Black | 35FDS |
| | Boulder | 35MIS |
| | Ember Glaze | 35MKO |
| | Harbor | 35MKS |
| | Linen | 35MPS |
| | Mist | 35FHS |
| | Navy | 35FBS |
| | Pewter Glaze | 35MPQ |
| | Sage | 35FCS |
| | Stone | 35MYS |
| | Vanilla | 35FVS |

*Premium finish

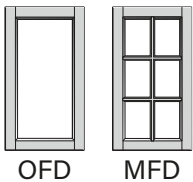
Westerly

NEW! FINISH



Door Style Details

| | |
|--|------------------------------------|
| Door Description: | Raised Panel |
| Door Rail & Stile Width: | 2 1/4" |
| Westerly Drawer Description: | Slab |
| Westerly w/ DFO Drawer Description: | 5-Piece with Raised Panel |
| Overlay | Full Overlay (FOL) |
| Tall Door Details: | Center Rail on 50" High Doors |
| Decorative Hardware: | Required |
| Specialty Doors: | OFD, MFD (See page 45 for details) |

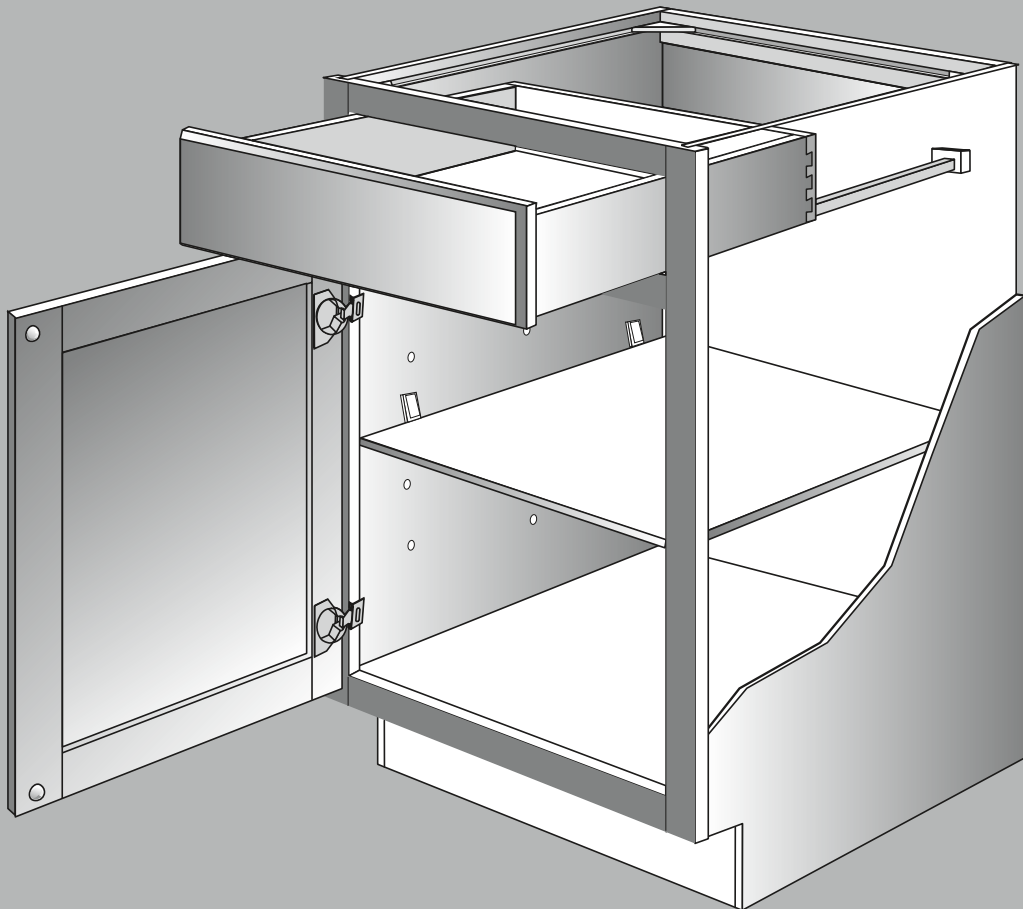


Available Finishes

| MAPLE | FINISH | WESTERLY | WESTERLY W/ DFO |
|----------|----------------|----------|-----------------|
| | Almond | 69GGS | 70GGS |
| | Cognac | 69MRS | 70MRS |
| | Latte | 69GAS | 70GAS |
| | Rye | 69MTS | 70MTS |
| | Slate | 69GES | 70GES |
| | Truffle | 69MBS | 70MBS |
| PAINTED* | FINISH | WESTERLY | WESTERLY W/ DFO |
| | Biscotti Glaze | 69FVF | 70FVF |
| | Black | 69FDS | 70FDS |
| | Boulder | 69MIS | 70MIS |
| | Ember Glaze | 69MKO | 70MKO |
| | Harbor | 69MKS | 70MKS |
| | Linen | 69MPS | 70MPS |
| | Mist | 69FHS | 70FHS |
| | Navy | 69FBS | 70FBS |
| | Pewter Glaze | 69MPQ | 70MPQ |
| | Sage | 69FCS | 70FCS |
| | Stone | 69MYS | 70MYS |
| | Vanilla | 69FVS | 70FVS |

*Premium finish

Standard Cabinet Specs



KCMA Certified

All cabinetry manufactured by American Woodmark is certified by the Kitchen Cabinet Manufacturers Association (KCMA).

KCMA sets the American National Standards Institute/KCMA 161.1-2000 uniform performance and construction standards for kitchen and vanity cabinets. The program is referenced by U.S. Government agencies; architects; builders; remodelers; and other specifiers.

Cabinets that bear the KCMA seal of certification are recognized as a quality product with the ability to perform after a rigorous battery of tests, simulating years of typical household use. Tests are performed by approved third-party independent laboratories.

American Woodmark is proud to display the KCMA seal of certification for cabinet construction.



ANSI/KCMA A161.1

Environmentally Responsible Stewardship

As a leading U.S. manufacturer of fine cabinetry, American Woodmark Corporation is committed to conducting business in a manner that both protects the environment and safeguards public health and safety. To achieve this end, the company proactively identifies potential environmental risks and monitors compliance with appropriate federal, state, local and internal standards.

The company has received certification by the Kitchen Cabinet Manufacturers Association (KCMA) Environmental Stewardship Program on all products. The certification was awarded based on compliance across a broad range of activity including air quality, product resource management, process resource management, environmental stewardship and community relations.

The company works with all suppliers to encourage sustainable forestry practices. Wood doors, drawer fronts and cabinet front frames are made from solid woods. Particle board and plywood are purchased from suppliers that meet either the Composite Panel Association requirements for Environmentally Preferred Products or the Composite Panel Associations Eco-Certified Composite Standards.

The company uses leading edge technologies to limit both hazardous and non-hazardous emissions, byproducts and waste. Ongoing, formal programs identify opportunities for recycling and reusing materials. When waste ultimately requires disposal, steps are taken to minimize the environmental impact.

The American Woodmark Foundation supports local programs serving the community, including activities focused on maintaining the quality of life.

Our company is dedicated to doing our part in the preservation and sustainability of the environment.



KITCHEN CABINET MANUFACTURERS ASSOCIATION,
ENVIRONMENTAL STEWARDSHIP PROGRAM (ESP).
ALL PRODUCTS IMPACT THE ENVIRONMENT.
FOR ESP PROGRAM CRITERIA, VISIT KCMA.ORG

Standard Cabinet Specifications

Cabinet Front Face Frames

Cabinet front face frames are made from $\frac{3}{4}$ " x 1 $\frac{5}{8}$ " kiln-dried solid wood and/or engineered materials to prevent warping and provide superior strength, durability and finished appearance. Face frame joints are precision fixtured, pressure fitted and mechanically fastened.

Cabinet Side Panels

Cabinet side panels are $\frac{1}{2}$ " thick engineered wood. The exterior sides match cabinet finish and interior sides are finished with a natural woodgrain look. They are captured into a grooved front face frame and secured using high-strength fasteners and glue.

Cabinet Tops, Bottoms and Floors

Tops, bottoms and floors are $\frac{1}{2}$ " thick engineered wood. The exteriors and interiors are finished with a natural woodgrain look. They are fitted and glued into the cabinet front face frame grooves, then captured in the grooves of the cabinet side panels.

Cabinet Back

The cabinet back is made from $\frac{1}{8}$ " thick hardboard substrate. The inside cabinet surface is finished with a natural woodgrain look.

Hanging Rails

The base and vanity top hanging rail is $\frac{3}{4}$ " thick solid wood, mortise and tenon joined and glued to the cabinet side panels. The wall cabinet hanging rails are $\frac{1}{2}$ " thick engineered wood, glued and pinned into the cabinet back, cabinet side panels and top/bottom.

Cabinet Shelves

Cabinet shelves are $\frac{3}{4}$ " thick engineered wood. The shelves are finished with a natural woodgrain look. Shelves are edge banded on one side. All shelves are adjustable and meet KCMA load standards of 15 pounds per square foot.

Drawer Systems

Cabinets utilize natural finish dovetail hardwood drawers with fully captured bottoms and Full-Access Hidden Glides® or Full-Access CushionClose Glides. All drawers meet KCMA load standards of 15 pounds per square foot.

Drawer Systems – Deep Roll Out Trays

Deep Roll Out Trays utilize natural finish dovetail hardwood drawers. Deep Roll Out Trays feature side-mounted $\frac{3}{4}$ " access drawer glides or Full-Access CushionClose glides. All Deep Roll Out Trays meet KCMA load standards of 15 pounds per square foot.

Corner Blocks

Corner blocks are attached to help ensure cabinet squareness and allow for proper countertop installation.

Hinges

Fully concealed, self-closing Hidden Hinges® are standard on all door styles.

| Door Height | Number of Hinges |
|-------------|------------------|
| 12" - 36" | 2 |
| 39" - 50" | 3 |

Inset Toe Kick

Inset toe kicks are constructed of $\frac{1}{2}$ " thick **unfinished** engineered wood and are recessed 3 $\frac{1}{2}$ ". Standard toe kick dimensions are 4" high and recessed 3 $\frac{1}{2}$ ".

BTK8 or BTK8 DT (matching toe kick) required for installation.

CONTINUOUS IMPROVEMENT

In keeping with our policy of continuous product refinement, American Woodmark reserves the right to change specifications in design and materials as conditions require.

Finishing Systems & Cabinet Care

Finishing Systems

The finishing systems used on our products are designed to ensure the beauty and durability of our cabinetry. State-of-the-art equipment allows precise sanding, filling and finish coverage of each of our products.

Environmentally Responsible Finishing

Our panel finishing system uses only water-based paints and fillers, yielding neither hazardous waste nor water contamination. Our acrylic and urethane materials are 100% solids, dried using high-intensity lights, yielding no atmospheric emissions. Our products are extremely resistant to stains and surface damage that can be caused by common household chemicals. Our products exceed KCM and ANSI standards for resistance to stains like coffee, grape juice and moisture.

Cabinet Care

Remove dust from cabinets frequently with a soft lint-free cloth. The cloth may be slightly dampened with water. Do not use a paste wax type material. Wax buildup is difficult to remove and will leave a residue that attracts dust and moisture. Polishes containing silicone should not be used. Clean spills immediately. Use a clean cloth and mild soap if necessary. Wipe dry with a clean soft cloth. Do not use detergents, citrus cleaners, ammonia-based cleaners, chlorine-based cleaners, steel wool, soap pads or abrasive cleaners on cabinets.

Extra care should be taken that cabinet finishes are not exposed to heat in excess of 200° Fahrenheit (174° for Duraform thermofoil door styles). Do not place or mount small appliances beneath wall cabinets. These appliances (such as coffee makers and toasters) can produce excessive heat and moisture, which can damage the finish of cabinets. Do not expose Duraform thermofoil doors or drawer fronts to heat created from self-cleaning ovens or ranges. The HSK (Heat Shield Kit) should be used when Duraform thermofoil cabinets are installed or mounted directly next to ovens or ranges.

Allow Cabinets To Age Beautifully

Our cabinets showcase the careful selection of natural and engineered materials to achieve the best possible look. While every effort is made to match wood grain as closely as possible, no two pieces of wood are exactly alike, even from the same tree. These differences in natural color and grain mean that each piece will respond differently to the finishing materials used. For example, close-grained woods absorb less and will vary in color from more open-grained pieces from the very same tree. It's these variations that contribute to the beauty and distinction of quality wood products. However, exposure to sunlight, smoke and chemicals may cause some materials to fade, darken or vary from their original color over time.

This is why cabinets, doors, drawer fronts and accessories added at a later date may not exactly match cabinets installed now. For the same reasons, door samples or displays may not represent the exact color of cabinets received at the time of shipment. Consumers should also read all cleaning agent instructions carefully before application.

Due to changes that occur from natural and environmental factors a cabinet is exposed to over its lifetime, we cannot be responsible for variations that occur in the finish of natural and engineered materials as they age.

Door Species & Characteristics

American Woodmark incorporates solid hardwoods and hardwood veneers into our doors. These are natural materials with inherent variations. As such, our quality standards establish tolerance ranges for matching the hardwood pieces. Consumers should review actual samples of hardwood doors in our buying centers and cabinet displays to help establish realistic expectations of variations involving wood grain, color tones, presence of knots and so forth.

These variations are at the heart of the unique natural beauty of finished hardwood. In addition, exposure of wood products to sunlight, some chemical agents and smoke can cause wood colors to change over time.

Cherry

Cherry is a close-grained, multicolored hardwood with occasional pin knots and fine grain variations appearing as curls and waves. Natural features of Cherry include:

- Small sap pockets, pin knots and streaks
- Color ranges from pale yellow sapwood to deep reddish-brown heartwood, with occasional shades of white, green, pink or even gray
- Staining reveals subtle variations and colors that typically darken over time
- Variations within a single door

Maple

Maple is an exceptionally hard, finely grained wood species with a fine, even texture. Darker stains will moderate the color variance; lighter stains mellow with golden hues over time. Natural features of Maple include:

- White to light blonde tones to dark reddish-brown tones
- Small mineral streaks of light blond or reddish brown that darken with stain
- Wavy, curly bird's-eye or burl graining as well as worm tracking across the grain that will darken when stained
- Variations within a single door

Painted

Painted finishes combine hardwoods and engineered materials including solid wood, medium density fiberboard (MDF), high density fiberboard (HDF) and similar materials to achieve a product with superior stability, consistency, coverage and durability. Painted door features include:

- Visible joint lines may appear due to the natural expansion and contraction of wood
- A natural aging process that may change the tone of paint colors over time

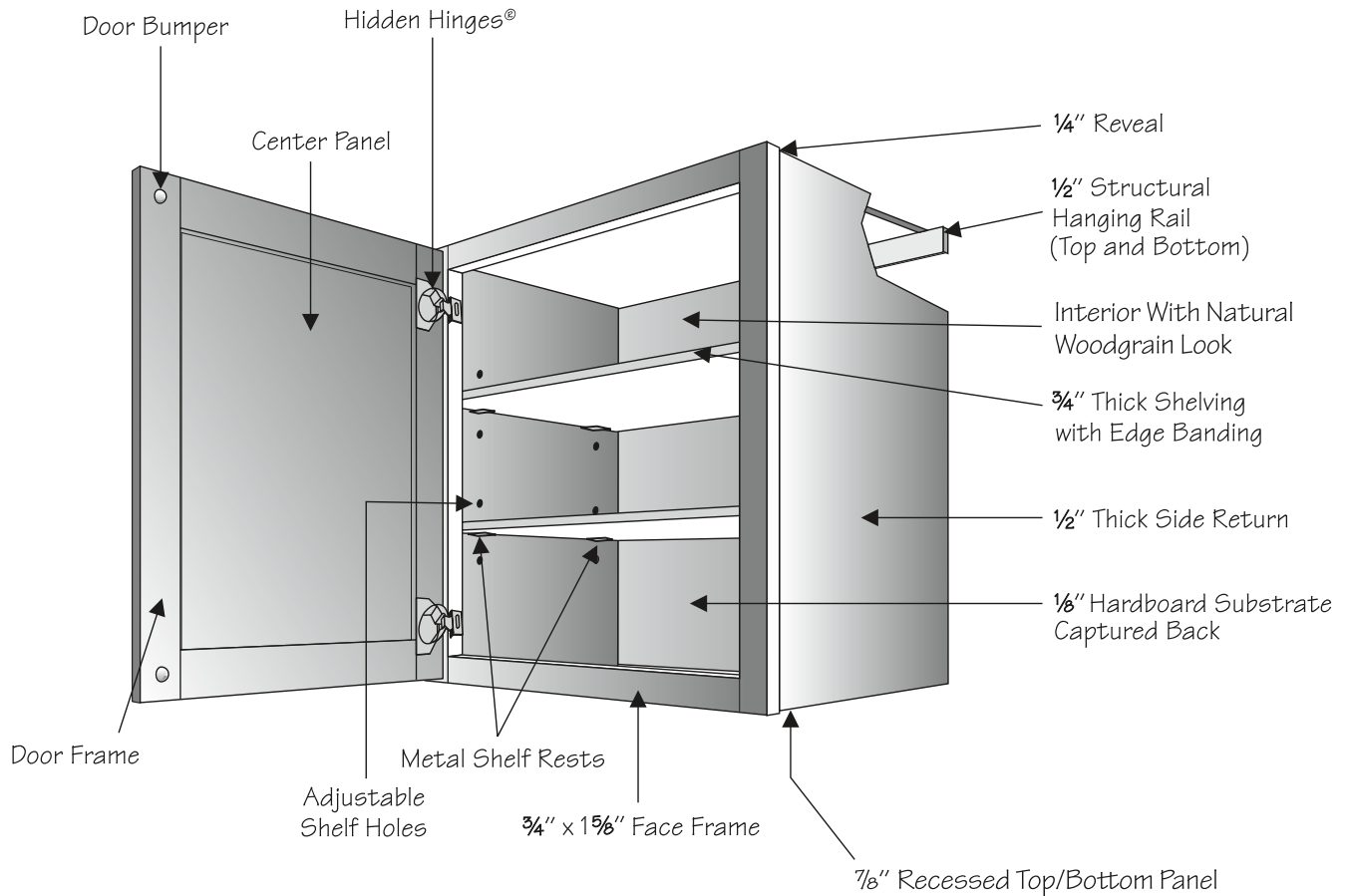
Duraform

Duraform uses highly-technological manufacturing processes to bond foils, vinyl films and coatings to medium density fiberboard (MDF), high density fiberboard (HDF) and similar materials to achieve a product with exceptional stability, consistency and durability. Duraform door styles feature wrapped doors and drawer fronts. All other cabinet and accessory surfaces are painted to complement the selected Duraform finish, unless otherwise noted.

- The finish, color and texture are consistent throughout the surface
- The surface is highly durable and easy to clean
- Materials are resistant to humidity and fading
- Refer to page 21 for standard cabinet box construction

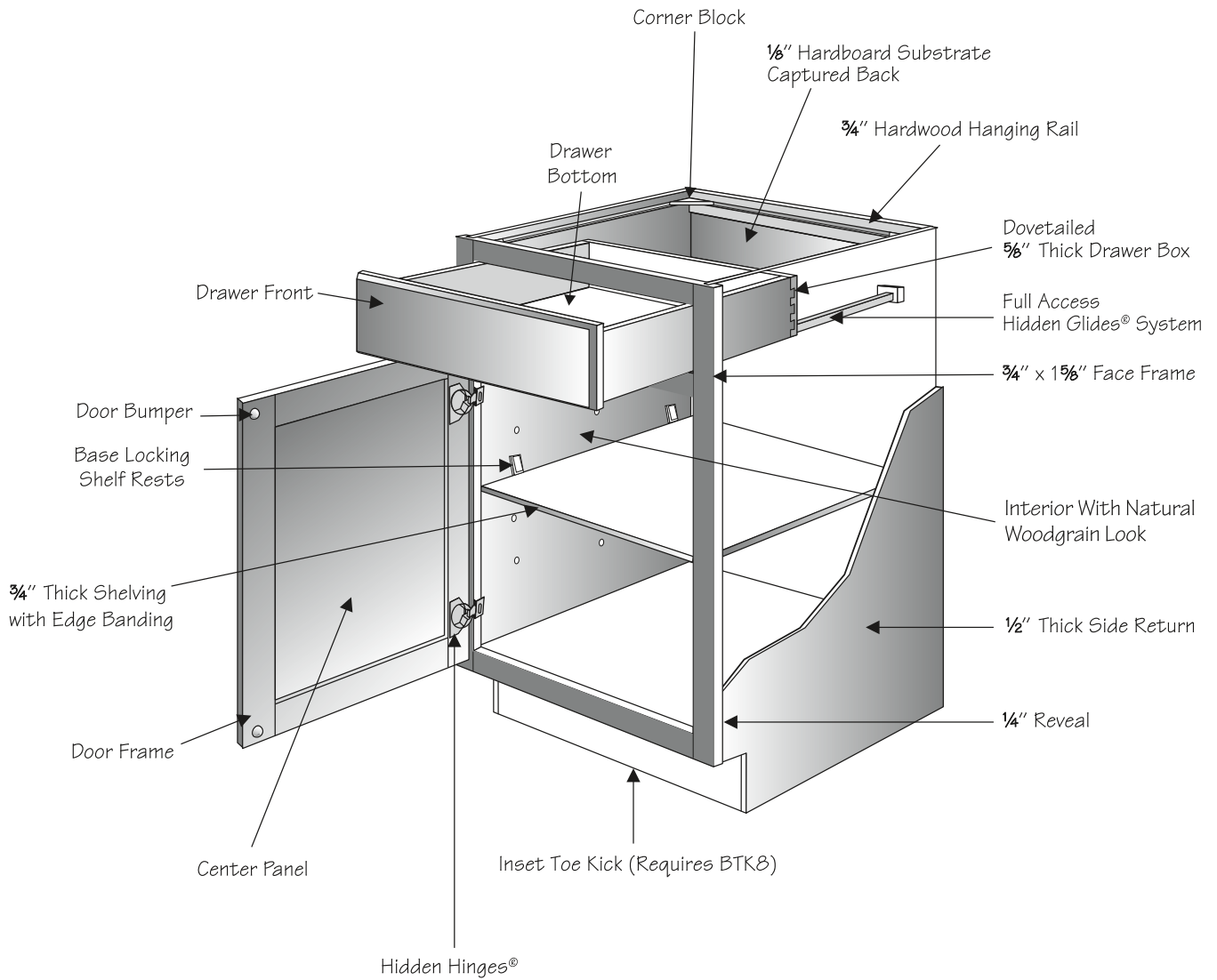
Wall Cabinet Construction

The drawing below illustrates and identifies the parts of a standard wall cabinet.



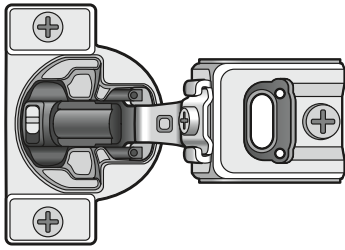
Base Cabinet Construction

The drawing below illustrates and identifies the parts of a standard base cabinet.



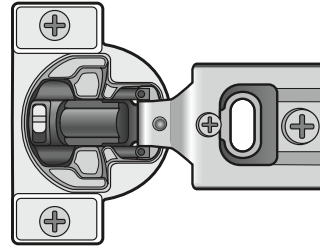
NOTE: Base single door cabinets are hinged left and can be reversed in the field.

6-Way Adjustable Full Overlay (FOL) Door Hinge



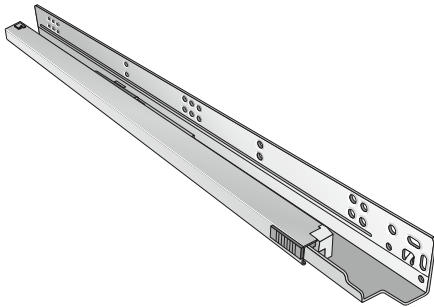
All steel construction with nickel-plated finish, Full Overlay hinge with self-closing feature that allows door to close unassisted when approximately 20–30 degrees open. Hinges permit doors to open to approximately 105 degrees. Six-way adjustability allows in/out, up/down, and side-to-side adjustments. Exceeds industry standard for durability. Standard feature on all Full Overlay (FOL) door styles. Hinge restrictors are available to order separately to limit doors to opening more than 86 degrees.

6-Way Adjustable Partial Overlay (POL) Door Hinge



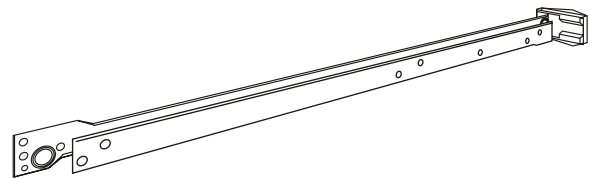
All steel construction with nickel-plated finish, Partial Overlay hinge with self-closing feature that allows door to close unassisted when approximately 20–30 degrees open. Hinges permit doors to open to approximately 105 degrees. Six-way adjustability allows in/out, up/down, and side-to-side adjustments. Exceeds industry standard for durability. Standard feature on all Partial Overlay (POL) door styles. Hinge restrictors are available to order separately to limit doors to opening more than 86 degrees.

Full-Access Hidden Glides System



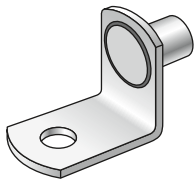
The Full-Access Hidden Glide System features dual-telescoping glide members that are supported by precision roller-carriage bearings providing smooth, stable and quiet operation. This glide system opens fully to provide complete access to drawer contents and features an integrated self-closing mechanism.

Side-Mounted Roll-Out Tray Glides



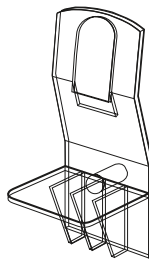
This ¼" access glide system features twin self-aligning side-mounted drawer glides. They are constructed of epoxy-coated steel for quiet opening and closing. Rollers are made of Delrin for smooth operation.

Metal Shelf Rest



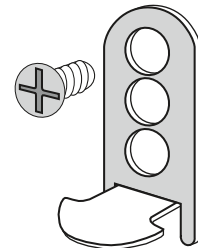
¼" steel, nickel plated. Standard feature on all wall cabinets, bookshelves, and Open Frame Door cabinets.

Base Locking Shelf Rest



Locks base shelves in place and prevents shelves from sliding. Designed to allow easy shelf removal. Molded from clear high-strength polycarbonate. Standard feature on all base and tall cabinets.

Mullion Shelf Rest



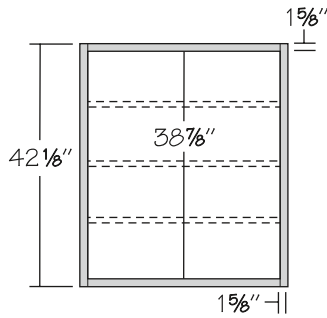
Six position adjustable to allow for superior alignment of shelf with mullion. Metal construction. Standard feature on all Mullion Frame Door cabinets.

Cabinet Dimensions

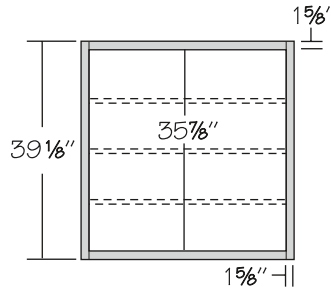
These illustrations specify dimensions of vertical stiles and horizontal rails, inset toe kick, cabinet heights, and standard interior opening heights. Wall Top Hinge and all Butt door cabinets do not have a center stile. Wall cabinets 39" or wider will feature a 3 1/4" center stile.

Wall Cabinets

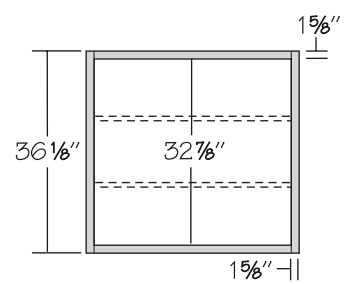
Wall Cabinet
42" High



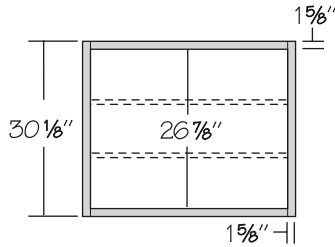
Wall Cabinet
39" High



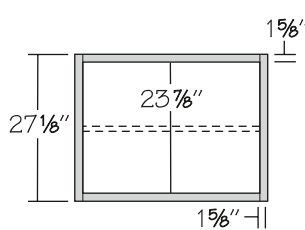
Wall Cabinet
36" High



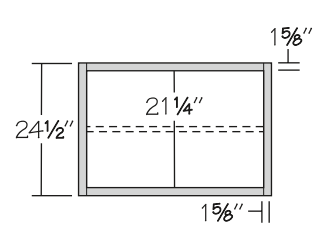
Wall Cabinet
30" High



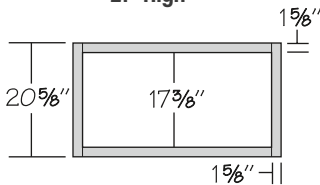
Wall Cabinet
27" High



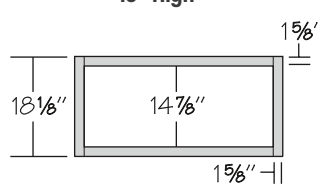
Wall Cabinet
24" High



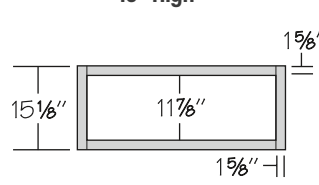
Wall Cabinet
21" High



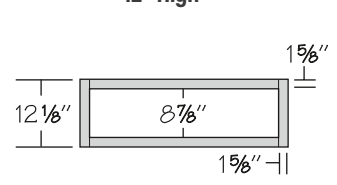
Wall Cabinet
18" High



Wall Cabinet
15" High

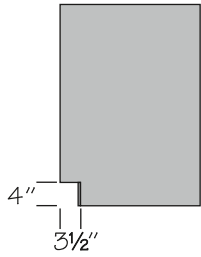


Wall Cabinet
12" High



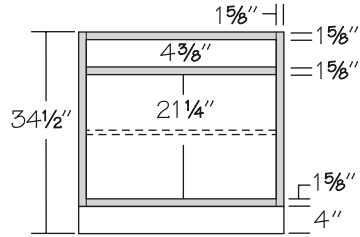
Base Cabinets

Inset Toe Kick

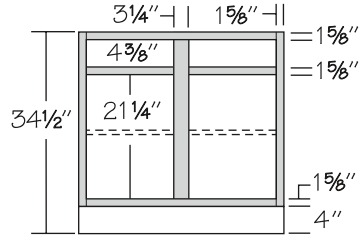


Inset toe kick construction requires BTK8 matching toe kick—must be ordered separately.

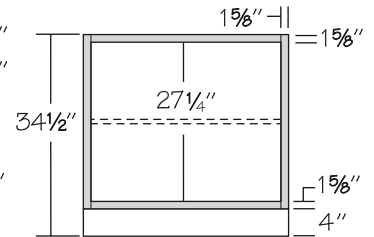
Standard Base Cabinet with Butt Doors



Standard Base Cabinet with Center Stile

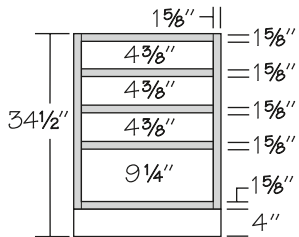


Full-Height Base Cabinet

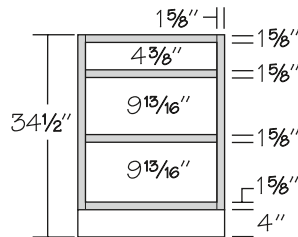


Drawer Base Cabinets

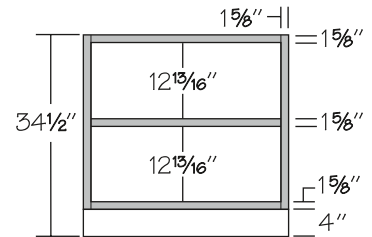
4 Drawer Base Cabinet



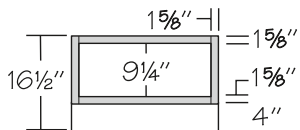
3 Drawer Base Cabinet



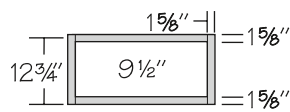
2 Drawer Base Cabinet



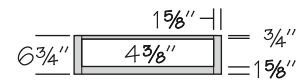
Pedestal Drawer Base Cabinet



Furniture Drawer Cabinet 12" High

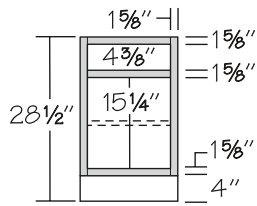


Furniture Drawer Cabinet 6" High

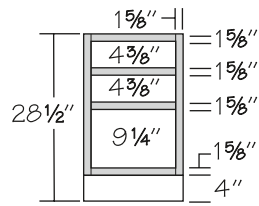


Desk Cabinets

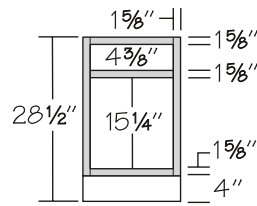
Desk Base Cabinet



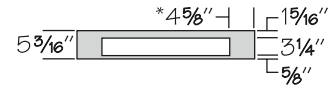
Desk Drawer Cabinet



Desk File Pull Out



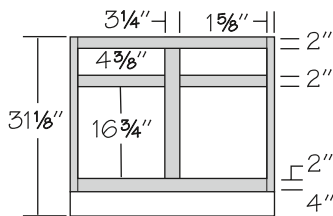
Kneehole Drawer



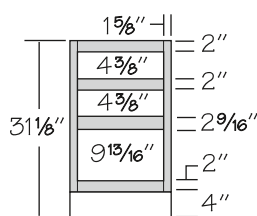
Trimmable in height to 4 3/4"
 *Dimension for KDC36/33 is 3 1/8"

Vanity Cabinets

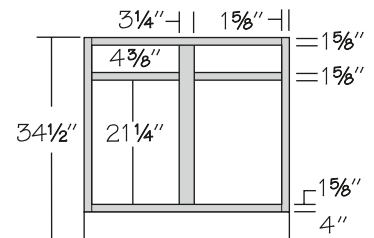
**Vanity Base Cabinet
Standard Height**



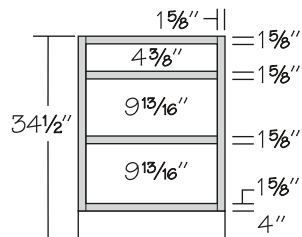
**Vanity Drawer Base
Standard Height**



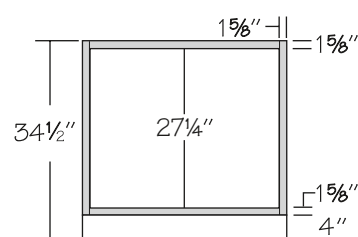
**Vanity Base Cabinet
Base Height**



**Vanity Drawer Base
Base Height**

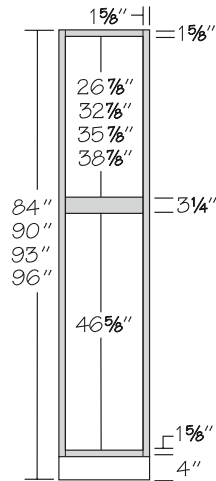


**Vanity Full-Height
Base Cabinet**

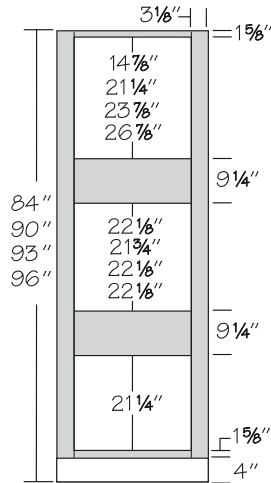


Tall Cabinets

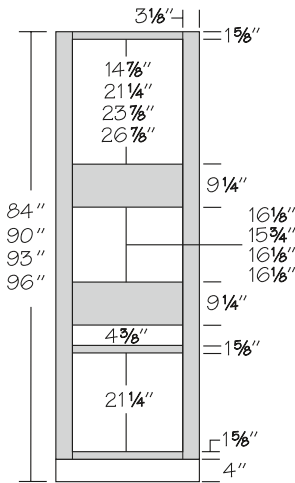
Utility/Vanity Linen Cabinet
2 Doors or 4 Butt Doors



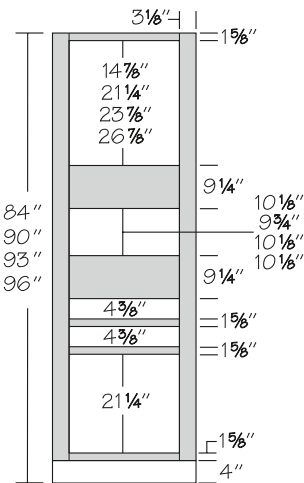
Single Oven Cabinet
4 Butt Doors*



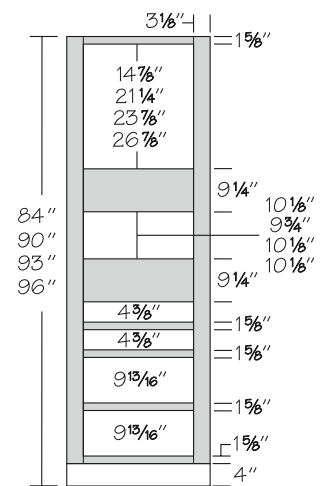
Single Oven Cabinet
4 Butt Doors, 1 Drawer*



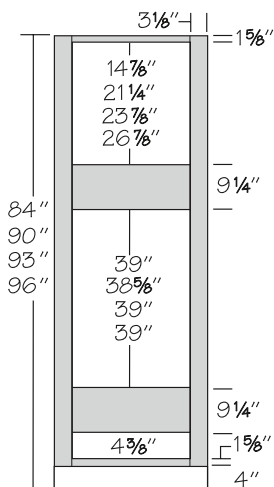
Single Oven Cabinet
4 Butt Doors, 2 Drawers*



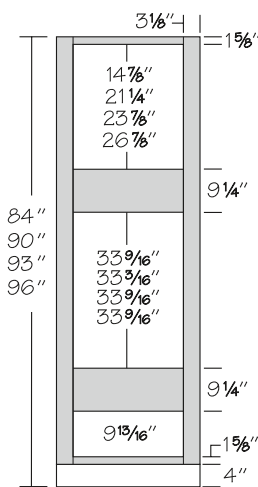
Single Oven Cabinet
2 Butt Doors, 4 Drawers*



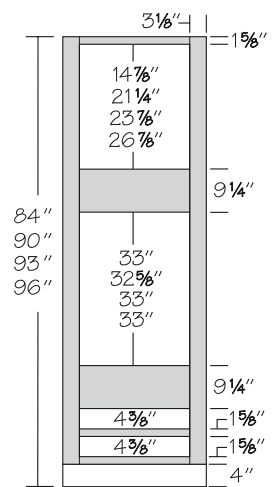
Double Oven Cabinet
2 Butt Doors, 1 Drawer*



Double Oven Cabinet
2 Butt Doors, 1 Large Drawer*

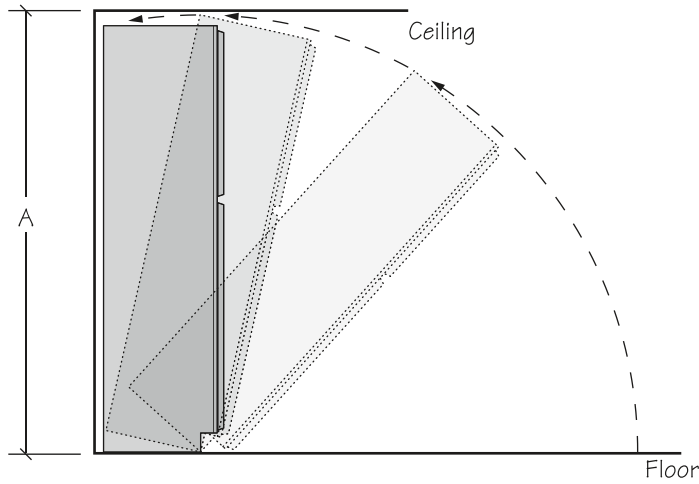


Double Oven Cabinet
2 Butt Doors, 2 Drawers*



*Actual height of oven opening shown. For actual width, maximum width and maximum height dimensions, please refer to Cut Out Dimensions Chart in specific cabinet SKU box.

Ceiling Height Requirements for Tall Cabinets



Notes

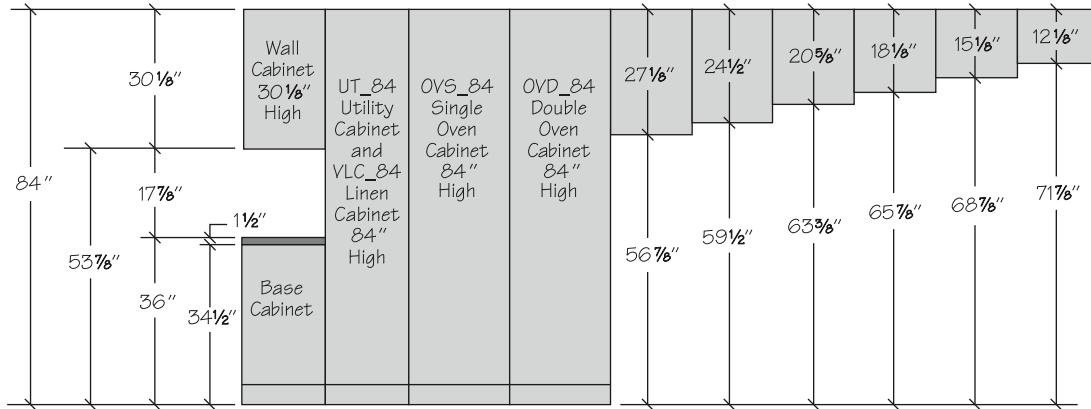
- 93" and 96" high Tall cabinets are shipped with 4" inset toe kick assembly shipped inside cabinet.

| Height | Cabinet Depth | Minimum Ceiling Height A |
|--------|----------------------------------|------------------------------------|
| 84" | 12" | 84 ⁹ / ₁₆ " |
| 84" | 18" | 85 ¹ / ₄ " |
| 84" | 20 ³ / ₄ " | 85 ¹³ / ₁₆ " |
| 84" | 24" | 86 ¹ / ₂ " |
| 90" | 12" | 90 ¹ / ₂ " |
| 90" | 18" | 91 ⁵ / ₁₆ " |
| 90" | 24" | 92 ⁵ / ₁₆ " |
| 93" | 12" | 93" |
| 93" | 18" | 93" |
| 93" | 24" | 93" |
| 96" | 12" | 96" |
| 96" | 18" | 96" |
| 96" | 24" | 96" |

Installation Height Guidelines

These illustrations specify dimensions of the height requirements for top alignment of Wall and Tall cabinets (Linen, Utility, Oven) installation.

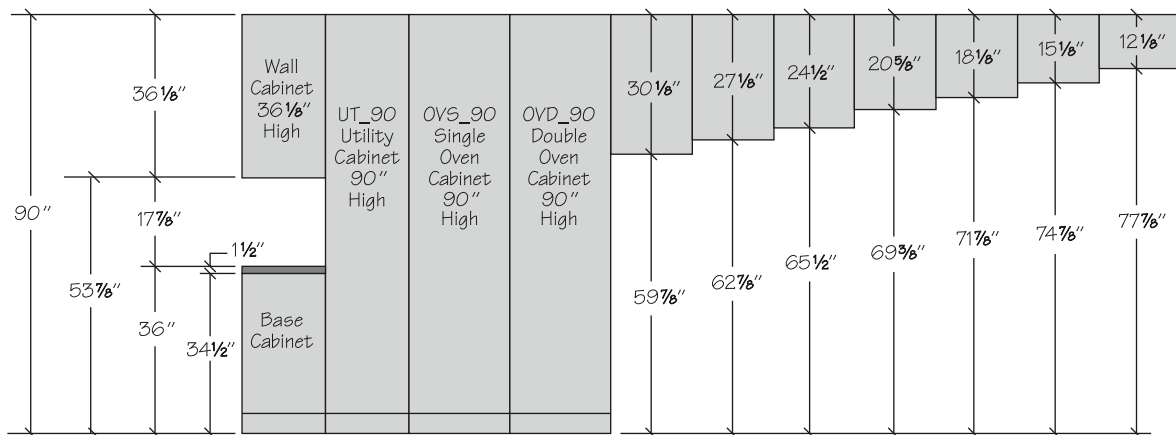
84" Top Alignment Cabinet Installation



Notes:

- 84" top alignment cabinet installation includes standard Wall cabinets (30 1/8" high) installed 53 7/8" above the finished floor, allowing 17 7/8" clearance between the Wall cabinets and a standard countertop height of 36" - dimensions are for reference only, refer to local building codes to ensure compliance.
- Tall cabinetry (Linen, Utility, Oven) is 84" high.
- **When selecting cabinetry for installation above or near any appliance, refer to the appliance manufacturer's specifications for clearance and venting requirements.**

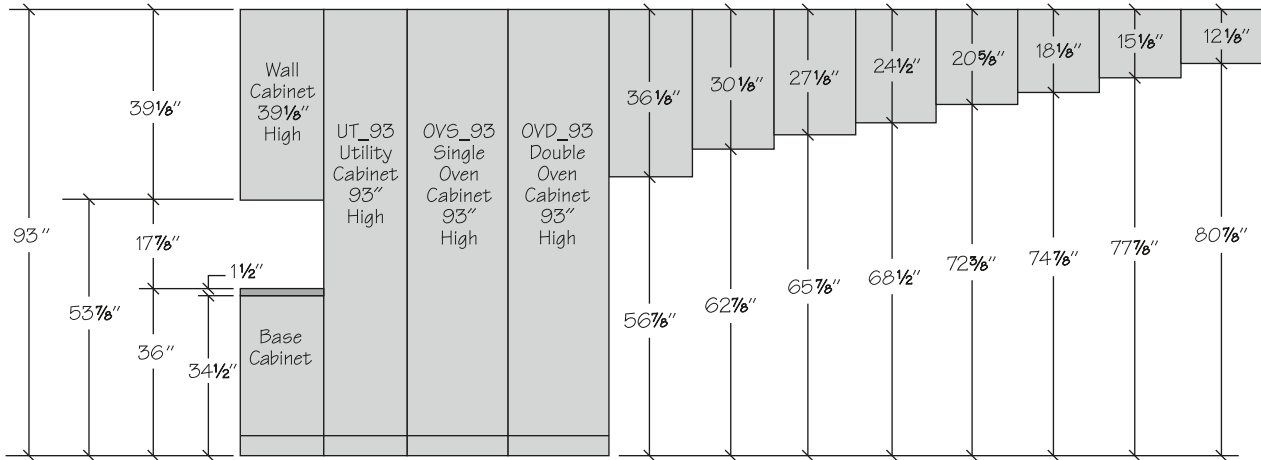
90" Top Alignment Cabinet Installation



Notes:

- 90" top alignment cabinet installation includes 36 1/8" high Wall cabinets installed 53 7/8" above the finished floor, allowing 17 7/8" clearance between the Wall cabinets and a standard countertop height of 36" - dimensions are for reference only, refer to local building codes to ensure compliance.
- Tall cabinetry (Utility, Oven) is 90" high.
- **When selecting cabinetry for installation above or near any appliance, refer to the appliance manufacturer's specifications for clearance and venting requirements.**

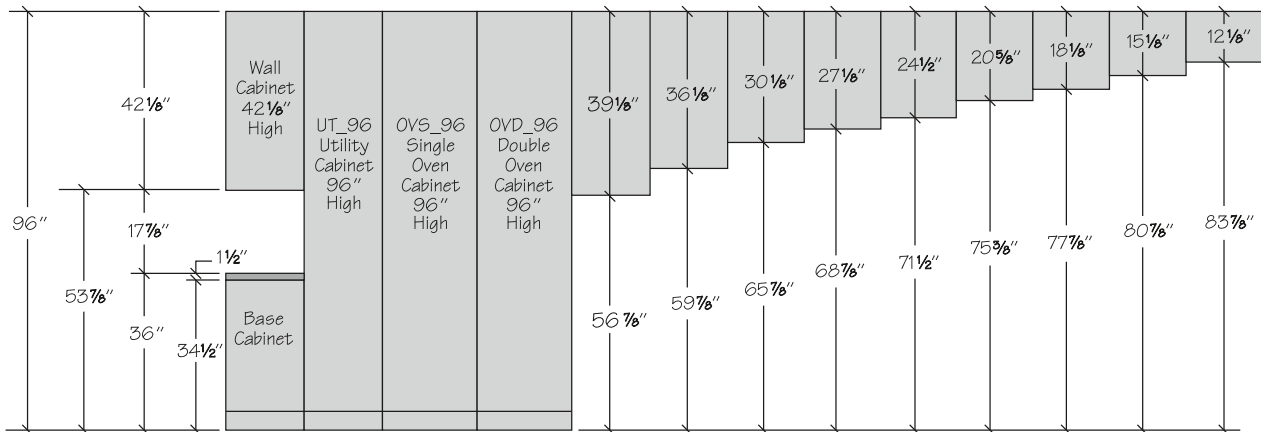
93" Top Alignment Cabinet Installation



Notes:

- 93" top alignment cabinet installation includes 39 1/8" high Wall cabinets installed 53 7/8" above the finished floor, allowing 17 7/8" clearance between the Wall cabinets and a standard countertop height of 36" - dimensions are for reference only, refer to local building codes to ensure compliance.
- Tall cabinetry (Utility, Oven) is 93" high.
- **When selecting cabinetry for installation above or near any appliance, refer to the appliance manufacturer's specifications for clearance and venting requirements.**

96" Top Alignment Cabinet Installation



Notes:

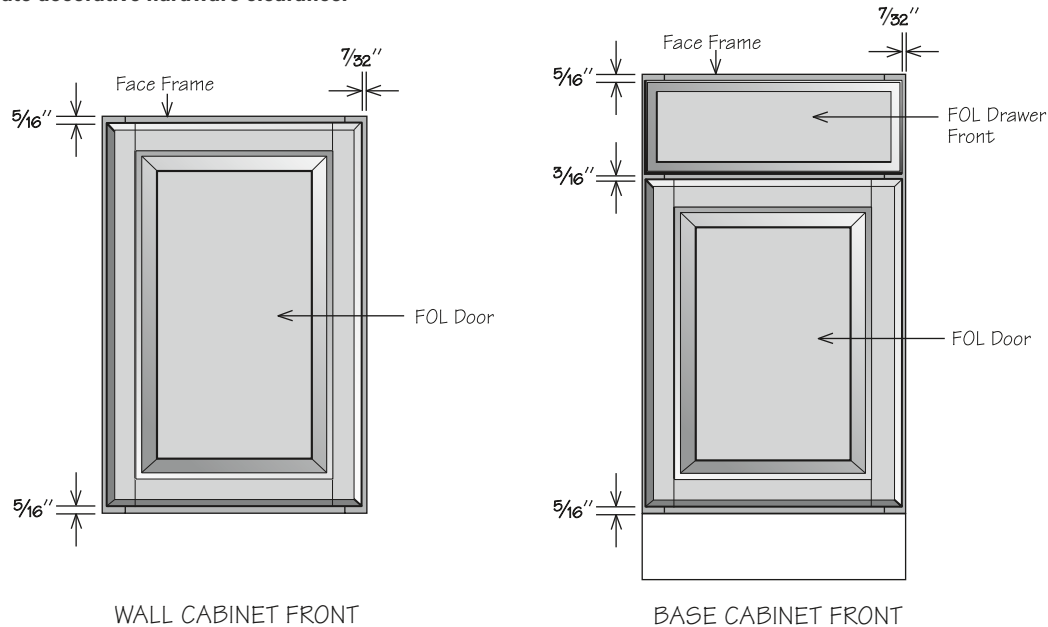
- 96" top alignment cabinet installation includes 42 1/8" high Wall cabinets installed 53 7/8" above the finished floor, allowing 17 7/8" clearance between the Wall cabinets and a standard countertop height of 36" - dimensions are for reference only, refer to local building codes to ensure compliance.
- Tall cabinetry (Utility, Oven) is 96" high.
- **When selecting cabinetry for installation above or near any appliance, refer to the appliance manufacturer's specifications for clearance and venting requirements.**

Overlay Dimensions

The drawings shown below illustrate the relationship between the cabinet face frame and Partial Overlay (POL) and Full Overlay (FOL) doors. They show the amount of the cabinet face frame that is visible when Partial Overlay doors or Full Overlay doors are selected.

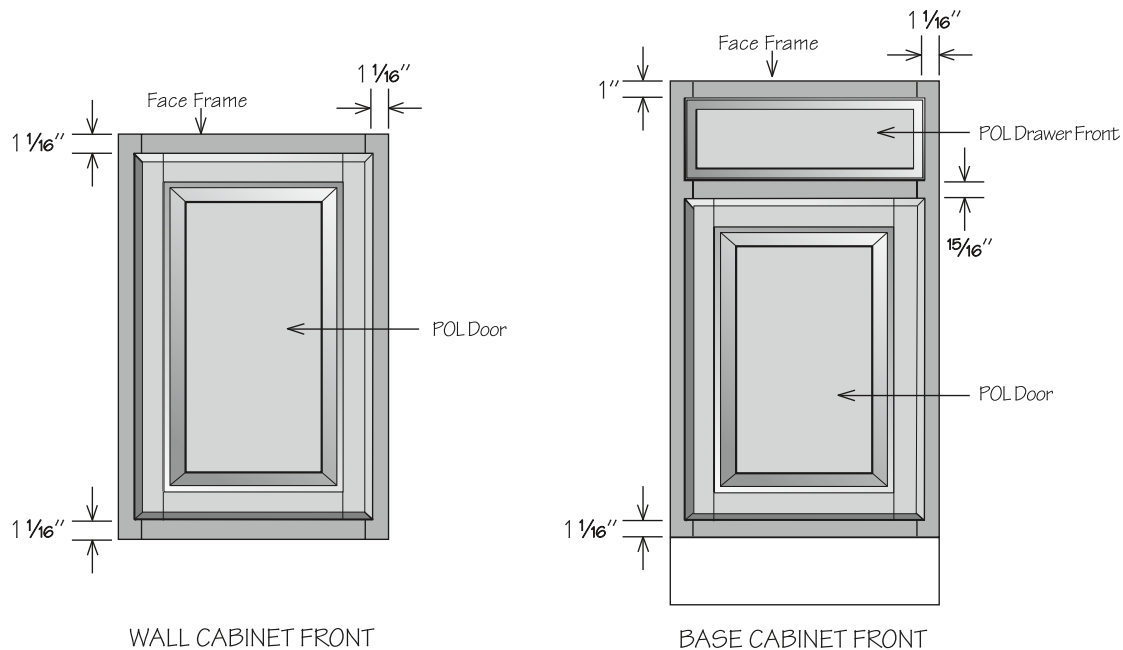
Full Overlay

Full Overlay (FOL) doors are sized to cover nearly all of the cabinet face frame. Full Overlay door styles require decorative hardware. To facilitate proper door operation, include at least a 1" filler between the hinged side of Full Overlay door styles and deeper adjacent objects including cabinets, walls, appliances, and countertops. Blind corners may require more space from the adjacent cabinet to accommodate decorative hardware clearance.

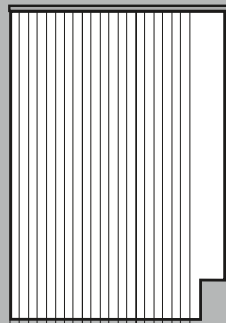
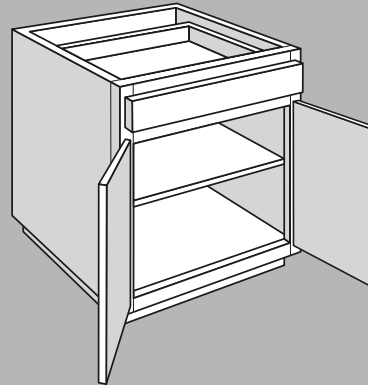
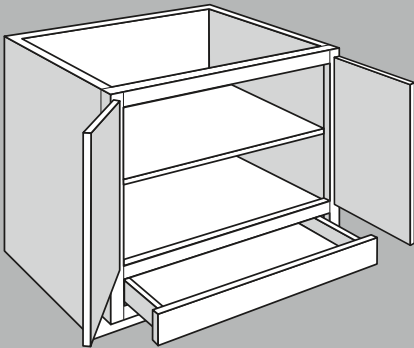
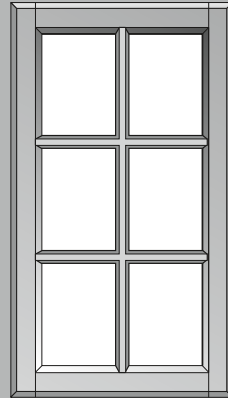
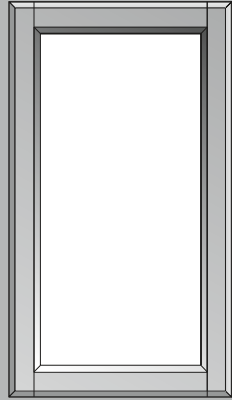


Partial Overlay

Partial Overlay (POL) doors are sized to show about an inch of the cabinet face frame, giving the door some visual depth. Some door styles do not require decorative hardware.



Construction Options



23 | 21 | 19 | 17 | 15 | 13 | 11 | 9 | 7 | 5 |
24" 22" 20" 18" 16" 14" 12" 10" 8" 6" 4"

Construction Options Legend

Icons used in this guide are shown below and indicate which construction options are available for a particular product.

| | |
|-------------|--|
| AH | Accessible Height Option |
| APC | All Plywood Construction Option |
| CFO | Cabinet Front Only Option |
| EMF | Xpress Manufacturing Fee |
| FE | Furniture Ends Option |
| ID | Increased Depth Option |
| IF | Inverted Frame Option |
| MI | Matching Interior Option |
| PE | Plywood Ends Option |
| RD | Reduced Depth Option |
| RTK | Recessed Toe Kick Option |
| VDO | Void Door Option |
| VTD | Void Top Drawer Option |
| XCDO | Remove CushionClose for Doors |
| XCDW | Remove CushionClose for Drawers |
| XCRO | Remove CushionClose for Roll Out Accessories |

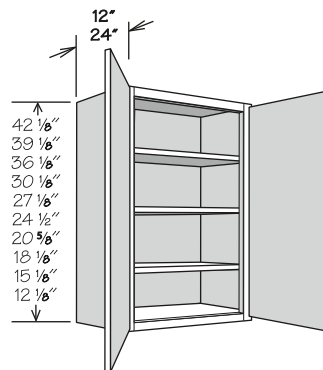
Example:

When a square ■ or diamond ◆ symbol is in an option box, it indicates that the construction option is ONLY available for SKUs listed with that symbol.

All options without a symbol are available for all SKUs.

In this example, the ◆ diamond indicates that only W3015 BUTT and W3015 BUTT SD are available with Increased Depth (ID), while the ■ square indicates that only the non-SD cabinets are available with Matching Interior (MI) and Void Door (VDO) options.

Wall Cabinets - 2 Butt Doors



| | |
|-----|---|
| CFO | |
| FE | |
| ID | ◆ |
| MI | ■ |
| PE | |
| RD | |
| VDO | ■ |

12" DEEP

- W3015 BUTT ■ ◆
- W3015 BUTT SD ◆

24" DEEP

- W3015 X 24DP BUTT ■
- W3015 X 24DP BUTT SD

Premium Finish Cabinet Option

Our premium finishes accentuate the detailing and textures of the cabinetry.

- Luxurious paint which emphasizes lines and rich detail with an inviting texture.
- Glazes that settle into the recesses, corners and grooves to add definition and a distinctive patina.
- Glazes are applied over a painted base.

| Premium Finish | Base Finish Details | Glaze Details | Available Collections |
|-------------------------------|---------------------|---------------------|---|
| Painted Biscotti Glaze | Painted Vanilla | Neutral Brown Glaze | Adelaide, Adelaide w/ DFO, Brookland, Brookland w/ DFO, Garner, Garner w/ DFO, MacArthur, Portola, Portola w/ DFO, Savannah, Westerly and Westerly w/ DFO |
| Painted Ember Glaze | Painted Harbor | Warm Brown Gray | Adelaide, Adelaide w/ DFO, Brookland, Brookland w/ DFO, Garner, Garner w/ DFO, MacArthur, Portola, Portola w/ DFO, Savannah, Westerly and Westerly w/ DFO |
| Painted Pewter Glaze | Painted Linen | Dark Gray | Adelaide, Adelaide w/ DFO, Brookland, Brookland w/ DFO, Garner, Garner w/ DFO, MacArthur, Portola, Portola w/ DFO, Savannah, Westerly and Westerly w/ DFO |

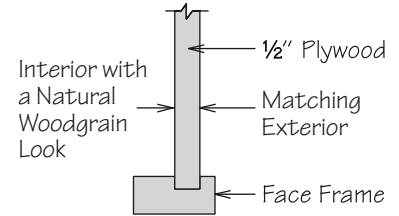
| Premium Finish | Finish Details | Available Collections |
|------------------------|------------------------|--|
| Painted Black | Black Paint | Adelaide, Adelaide w/ DFO, Brookland, Brookland w/ DFO, Garner, Garner w/ DFO, Hanover, Leesburg, Leesburg w/ DFO, MacArthur, Portola, Portola w/ DFO, Reading, Reading w/ DFO, Remy, Remy w/ DFO , San Mateo, Savannah, Westerly and Westerly w/ DFO |
| Painted Boulder | Dark Gray Paint | Adelaide, Adelaide w/ DFO, Brookland, Brookland w/ DFO, Garner, Garner w/ DFO, Hanover, Leesburg, Leesburg w/ DFO, MacArthur, Portola, Portola w/ DFO, Reading, Reading w/ DFO, Remy, Remy w/ DFO , San Mateo, Savannah, Westerly and Westerly w/ DFO |
| Painted Harbor | Soft Warm Gray Paint | Adelaide, Adelaide w/ DFO, Brookland, Brookland w/ DFO, Garner, Garner w/ DFO, Hanover, Leesburg, Leesburg w/ DFO, MacArthur, Portola, Portola w/ DFO, Reading, Reading w/ DFO, Remy, Remy w/ DFO , San Mateo, Savannah, Westerly and Westerly w/ DFO |
| Painted Linen | Soft White Paint | Adelaide, Adelaide w/ DFO, Brookland, Brookland w/ DFO, Garner, Garner w/ DFO, Hanover, Leesburg, Leesburg w/ DFO, MacArthur, Portola, Portola w/ DFO, Reading, Reading w/ DFO, Remy, Remy w/ DFO , San Mateo, Savannah, Westerly and Westerly w/ DFO |
| Painted Mist | Light Blue Paint | Adelaide, Adelaide w/ DFO, Brookland, Brookland w/ DFO, Garner, Garner w/ DFO, Hanover, Leesburg, Leesburg w/ DFO, MacArthur, Portola, Portola w/ DFO, Reading, Reading w/ DFO, Remy, Remy w/ DFO , San Mateo, Savannah, Westerly and Westerly w/ DFO |
| Painted Navy | Dark Blue Paint | Adelaide, Adelaide w/ DFO, Brookland, Brookland w/ DFO, Garner, Garner w/ DFO, Hanover, Leesburg, Leesburg w/ DFO, MacArthur, Portola, Portola w/ DFO, Reading, Reading w/ DFO, Remy, Remy w/ DFO , San Mateo, Savannah, Westerly and Westerly w/ DFO |
| Painted Sage | Cool Dark Green Paint | Adelaide, Adelaide w/ DFO, Brookland, Brookland w/ DFO, Garner, Garner w/ DFO, Hanover, Leesburg, Leesburg w/ DFO, MacArthur, Portola, Portola w/ DFO, Reading, Reading w/ DFO, Remy, Remy w/ DFO , San Mateo, Savannah, Westerly and Westerly w/ DFO |
| Painted Stone | Medium Cool Gray Paint | Adelaide, Adelaide w/ DFO, Brookland, Brookland w/ DFO, Garner, Garner w/ DFO, Hanover, Leesburg, Leesburg w/ DFO, MacArthur, Portola, Portola w/ DFO, Reading, Reading w/ DFO, Remy, Remy w/ DFO , San Mateo, Savannah, Westerly and Westerly w/ DFO |
| Painted Vanilla | Warm Soft White Paint | Adelaide, Adelaide w/ DFO, Brookland, Brookland w/ DFO, Garner, Garner w/ DFO, Hanover, Leesburg, Leesburg w/ DFO, MacArthur, Portola, Portola w/ DFO, Reading, Reading w/ DFO, Remy, Remy w/ DFO , San Mateo, Savannah, Westerly and Westerly w/ DFO |

All Plywood Construction Option

APC

All Plywood Construction Option includes:

- ½" plywood sides, floors and cabinet tops
- ¾" plywood shelves with edge banding
- ⅝" plywood captured back
- ½" plywood inset toe kick
- ½" plywood corner blocks (excluding BEA/BPP/BPPUS/BTDP cabinets or cabinets with a solid top)



Notes:

- Exterior sides finished to match specific cabinet box exterior.
- Plywood will be visible from top and bottom of side panels.
- Available for individual cabinets or entire kitchen.
- All door styles feature standard interior sides with a natural woodgrain look and matching exterior sides.
- May be combined with all construction options excluding Cabinet Front Only and Plywood Ends.
- Toe kick support blocks are not plywood.
- Roll out accessories and drawer inserts will not feature All Plywood Construction.
- All Plywood Construction refers to the cabinet box components and shelving as detailed above (certain parts and accessories are not available with this construction option).
- Plywood can consist of a combination of veneer and medium density fiberboard (MDF) layers to achieve superior product stability and finish quality. Plywood components meet the ANSI/HPVA hardwood and decorative plywood standards (www.decorativehardwoods.org).

Plywood Ends Option

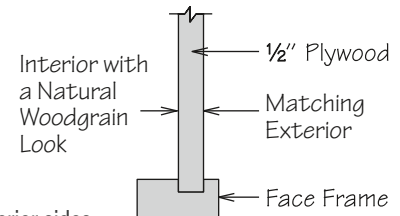
PE

Plywood Ends Option includes:

- ½" plywood cabinet sides

Notes:

- Exterior sides finished to match cabinet box exterior.
- Plywood will be visible from top and bottom of side panels.
- Available for individual cabinets or entire kitchen.
- All door styles feature standard interior sides with a natural woodgrain look and matching exterior sides.
- May be combined with all construction options excluding Cabinet Front Only, All Plywood Construction and Furniture Ends.
- Plywood Ends refers to the cabinet box side panels as detailed above (certain parts and accessories are not available with this construction option).
- Plywood can consist of a combination of veneer and medium density fiberboard (MDF) layers to achieve superior product stability and finish quality. Plywood components meet the ANSI/HPVA hardwood and decorative plywood standards (www.decorativehardwoods.org).



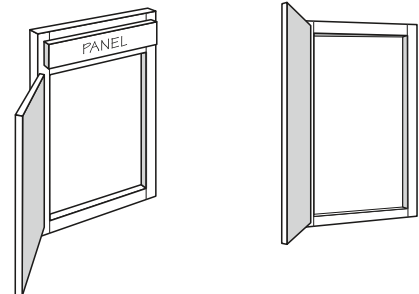
Cabinet Front Only Option

CFO

The Cabinet Front Only Option is available for most cabinets with a frame.

Notes:

- Cannot be combined with any construction option.
- This option consists of the cabinet front face frame, door(s), drawer front(s) and hinges.
- Toe kicks are not included.
- This option is only available for cabinets without accessories.



| | Standard Construction | Plywood Ends Option (PE) | All Plywood Construction Option (APC) |
|---|--|--|--|
| Cabinet Sides | ½" Engineered Wood | ½" Plywood | ½" Plywood |
| Cabinet Floor | ½" Engineered Wood | ½" Engineered Wood | ½" Plywood |
| Cabinet Top (Wall Cabinets Only) | ½" Engineered Wood | ½" Engineered Wood | ½" Plywood |
| Cabinet Back | ⅛" Hardboard Substrate captured | ⅛" Hardboard Substrate captured | ⅛" Plywood captured |
| Inset Toe Kick | ½" Engineered Wood | ½" Engineered Wood | ½" Plywood |
| Corner Blocks | ½" Engineered Wood | ½" Engineered Wood | ½" Plywood* <small>*see APC option box for list of exclusions</small> |
| Shelves | ¾" Engineered Wood with Edge Banding | ¾" Engineered Wood with Edge Banding | ¾" Plywood with Edge Banding |
| Wall Cabinet Hanging Rails | ½" Engineered Wood Top and Bottom Rails | ½" Engineered Wood Top and Bottom Rails | ½" Plywood Top and Bottom Rails |
| Base Cabinet Hanging Rails | ¾" Hardwood Top Rail ½" Engineered Wood Bottom Rail | ¾" Hardwood Top Rail ½" Engineered Wood Bottom Rail | ¾" Hardwood Top Rail ½" Plywood Bottom Rail |

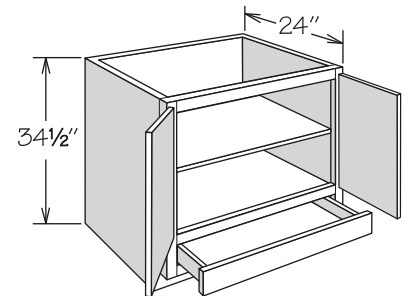
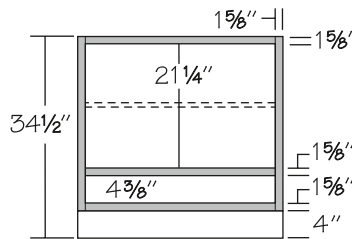
Inverted Frame Option

IF

The Inverted Frame Option is available for most standard base cabinets and base cabinets with accessories.

Notes:

- May be combined with all construction options excluding Cabinet Front Only and Void Top Drawer.
- Drawer(s) below full cabinet floor.
- Adjustable shelf is included.
- Back is not predrilled for Deep Roll Out Trays (DROT's).



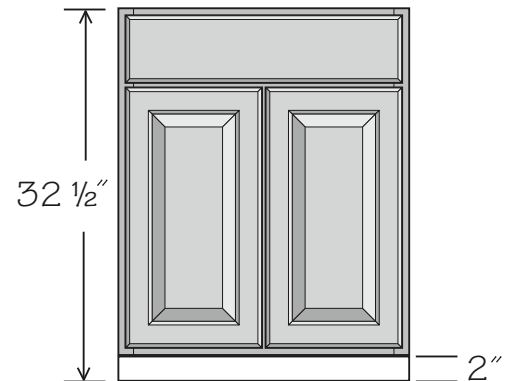
Accessible Height Option

AH

The Accessible Height Option is available for most cabinets that feature a toe kick.

Notes:

- This option reduces cabinet height by 2" off the toe kick area.
 - » Toe kick boxes that are shipped separately on 93" & 96" high tall cabinets will also be reduced by 2" with this option.
- May be combined with all construction options excluding Cabinet Front Only and Recessed Toe Kick.
- Any cabinet part above toe kick (face frames, doors, internal cabinet accessories, etc.) will not be altered by this modification.



| | 34 ½" Base/Vanity | 84" Tall | 90" Tall | 93" Tall | 96" Tall |
|------------------------|-------------------|----------|----------|----------|----------|
| Modified Height | 32 ½" | 82" | 88" | 91" | 94" |

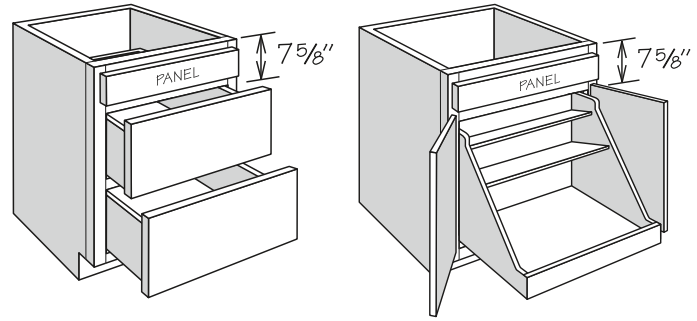
Void Top Drawer Option

VTD

The Void Top Drawer Option is available for most 3 Drawer Base, 4 Drawer Base, Base with Deep Roll Out Trays, Base with Pot & Pan Organizer and Peninsula Base cabinets.

Notes:

- May be combined with all construction options excluding Cabinet Front Only and Inverted Frame.
- This option removes the drawer body and glide system and replaces it with a false panel on any top drawer(s).
- On cabinets with multiple top drawers, all top drawers will be voided.
- When used with a drop-in appliance, there is a height clearance of 7 5/8" from the top of the cabinet to the top of the door/drawer opening below the voided drawer.
- Subtract 1 1/2" from width and depth for available top opening - removal of corner blocks may be required.
- Removal of the top rail is not recommended.
- Refer to appliance manufacturer's specifications for adequate clearances and required installation materials.



Void Door Option

VDO

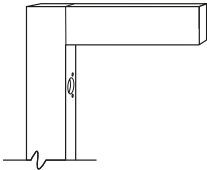
The Void Door Option is available for most wall cabinets. All void door cabinets ship without doors or hinges – center stiles and adjustable shelves will remain. Cabinet frames are pre-drilled for door hinges. All void door wall top hinge cabinets ship without door, lid stays and hinges.

Refer to the descriptions below to select the correct option for your layout:

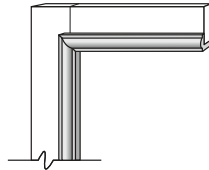
- VDO-DFH (Drilled For Hinges)
- VDO-SBAM (Single Bead Accent Molding)
- VDO-SAM (Shaker Accent Molding)

Notes:

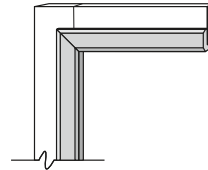
- May be combined with all construction options excluding Cabinet Front Only.
- Can be used to create decorative open cabinets.
- Decorative Accent Moldings will conceal hinge holes.
- Molding is to be cut and field installed at the job site.
- When matching interior is desired, the Matching Interior Option must be selected.



VDO-DFH
Drilled For Hinges



VDO-SBAM
Single Bead Accent
Molding



VDO-SAM
Shaker Accent
Molding

Reduced Depth Option

RD

The Reduced Depth Option should be used when ordering less than standard depth cabinets. The Reduced Depth Option is available in 1" increments; minimum depth is 4". Vanity and Desk cabinets will reduce to standard Reduced Depth increments (i.e. Vanity cabinets with RD-20 will measure 20" in depth).

Orders specifying Reduced Depth Option must show the total cabinet depth.

Example: Cabinet: B24

Option: RD-17 (reduced to 17" deep)

Notes:

- There is a potential tipping hazard for Reduced Depth Cabinets until they are mounted to a wall.
- Peninsula Base cabinets reduced to 11" or less will not have an inset toe kick.
- Adjustable shelves are reduced in 1" increments to match Reduced Depth Option selected on cabinet(s).
- Adding the Reduced Depth Option does not remove adjustable shelves (where applicable).
- May be combined with all construction options excluding Increased Depth, Cabinet Front Only or Recessed Toe Kick when cabinets are reduced to 8" or less.
- All cabinets reduced to 5" or less will not have an inset toe kick.
- Reduced depth restrictions:
 - » Cabinets that include Deep Roll Out Trays (DROT) are only available with RD-23 through RD-12.
 - » 24" Deep Wall Top Hinge cabinets are only available with RD-23 through RD-8.
 - » 12" Deep Wall Top Hinge cabinets are only available with RD-11 through RD-8.
 - » Base End Angle (BEA12 FH) cabinets are only available with RD-23 through RD-18.
 - » Kneehole Drawer cabinets are only available with RD-20 through RD-12.
 - » Two Drawer Base cabinets are only available with RD-23 through RD-21.
 - » 24" Deep Furniture Drawer cabinets are only available with RD-23 through RD-13.
- When ordering reduced depth accessories, specify the depth of the cabinet for which the accessory is intended (e.g., SK3624 RD-21 would be ordered for a UT3624 X 84 RD-21).

| Reduced Depth | Drawer Depth Base & 24" Deep Desk Cabinets | Drawer Depth Vanity & 21" Deep Desk Cabinets | Deep Roll Out Tray Depth |
|---------------|--|--|-----------------------------|
| RD-23 | 18" | — | 18" |
| RD-22 | 18" | — | 18" |
| RD-21 | 18" | — | 18" |
| RD-20 | 15" | 15" | 15" |
| RD-19 | 15" | 15" | 15" |
| RD-18 | 15" | 15" | 15" |
| RD-17 | 12" | 12" | 12" |
| RD-16 | 12" | 12" | 12" |
| RD-15 | 12" | 12" | 12" |
| RD-14 | 9 ⁷ / ₁₆ " | 9 ⁷ / ₁₆ " | 9" |
| RD-13 | 9 ⁷ / ₁₆ " | 9 ⁷ / ₁₆ " | 9" |
| RD-12 | 9 ⁷ / ₁₆ " | 9 ⁷ / ₁₆ " | 9" |
| RD-11 to RD-4 | No Drawer | No Drawer | Not Available |

Increased Depth Option

ID

The Increased Depth Option is available for most Wall cabinets up to 36" wide and all Bookshelves. The Increased Depth Option is available in 1" increments; maximum depth is 24".

Orders specifying Increased Depth Option must show the total cabinet depth.

Example: Cabinet: W1530

Option: ID-14 (increased to 14" deep)

Notes:

- May be combined with all construction options excluding Reduced Depth and Cabinet Front Only.
- Adjustable shelves are increased in 1" increments to match Increased Depth Option selected on cabinets.
- Wall cabinets and bookshelves increased up to and including 18" deep can be mounted using standard installation procedures.
- Wall cabinets and bookshelves increased to 19" deep and over must be stacked, floor mounted or installed over a refrigerator.
- All Increased Depth cabinets must be securely attached in one of the following combinations: to studs in back wall and both sides OR to studs in back wall, one side and top (e.g., two adjacent cabinets or one adjacent cabinet and a wall).

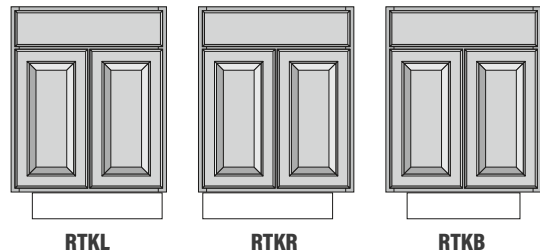
Recessed Toe Kick Option

RTK

The Recessed Toe Kick Option is available on most Base, Desk and Vanity base cabinetry. When the Recessed Toe Kick Option is selected, left, right or both must be specified.

Notes:

- May be combined with all construction options excluding Accessible Height, Cabinet Front Only or the Reduced Depth Option when cabinets are reduced to 8" or less.
- Recommended for cabinets at the end of a run, especially in island and peninsula designs.
- Recessed side(s) are constructed of ½" thick unfinished plywood and are recessed 3½" to match front of cabinet.
- Recessed Toe Kick box is not flush on non-recessed side and back.
- Blind Corner Base cabinets (BLB_) are only available with the Recessed Toe Kick Both Option (RTKB).
- Base End Angle (BEA_FH), Base Pantry Pull Out (BPP9), Base Pantry Pull Out Utensil Storage (BPPUS9), Base Tray Divider Pull Out (BTDP9), Tray Base (TB9) and (TB9 TDS), Base cabinets are not available with the Recessed Toe Kick Both Option (RTKB).
- Not available for Peninsula Base cabinets with the Reduced Depth Option of RD-11 and lower.
- For Peninsula Base cabinets, the working drawer side indicates the front of the cabinet in order to correctly select Recessed Toe Kick Right (RTKR) or Left (RTKL).
- Peninsula Base cabinets ordered with Recessed Toe Kick Option must be secured to the floor through the cabinet bottom into bracing secured to the floor.
- Base Toe Kick (BTK8) required for front and any exposed side(s).



CushionClose Package

The CushionClose package includes CushionClose for Drawers (including full-height pull outs), CushionClose for Doors and CushionClose for Roll Out Accessories and is pre-selected in 2020.

Notes:

- CushionClose for Drawers and CushionClose for Roll Out Accessories provide all of the features and benefits of the standard Full-Access Hidden Glides System with the addition of an integrated slow-close mechanism that reduces slamming and noise.
- CushionClose for Doors features a slow closing mechanism that helps reduce slams and noise.
- Decorative hardware strongly recommended.
- CushionClose is not available for BER_, BFP_, BSDC6, BSS_, CAR_, MC_, TV_30, and WER_.

Remove CushionClose for Doors

XCD0

The Remove CushionClose for Doors option is available for most cabinets with a door.

Notes:

- This option removes CushionClose for Doors.
- CushionClose cannot be removed from Adaptable Sink Base Kit (ASB_KIT).

Remove CushionClose for Drawers

XCDW

The Remove CushionClose for Drawers option is available for all cabinets with a drawer.

Notes:

- Removes CushionClose for Drawers and replaces glides with Full-Access Hidden Glides.
- CushionClose cannot be removed from drawer(s) and/or pull-outs for: 2 Drawer Base (DB__ 2DWR __), Wastebasket Cabinets (BWBB__, DWBB__, VWBB__), Tray Divider (BTDP9), Utensil Storage (BPPUS_), Base Pantry (BPP_) and Base Filler (BFP_).

Remove CushionClose Roll Out Accessories

XCRO

The Remove CushionClose for Roll Out Accessories option is available for most roll out accessories or cabinets with roll out accessories.

Notes:

- This option removes CushionClose from Roll Out Accessories and replaces glides with side-mounted glides.

Xpress Manufacturing Fee (Woodmark PRO Only)

EMF

The Xpress Manufacturing Fee option is available for all cabinets and accessories ordered through the American Woodmark PRO line ONLY.

Notes:

- 10-Day Build and Ship, Build and Ship lead times cited are based on normal supply chain conditions and may vary by location.
- Cabinets that include the EMF option will be charged an EMF fee.
- For an estimated delivery date, use the Pro Xpress Delivery Calculator on Designer Resources.

Furniture Ends Option

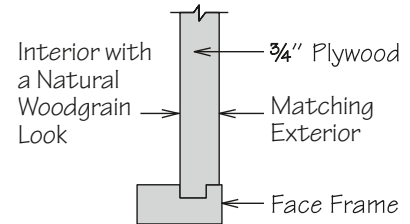
FE

Furniture Ends Option includes:

- ¾" plywood cabinet sides

Notes:

- Exterior sides feature plywood finished to match specific cabinet box exterior.
- Plywood will be visible from top and bottom of side panels.
- All door styles feature standard interior sides with a natural woodgrain look and matching exterior sides.
- Available on individual cabinets except Base End Angle (BEA24 FH) and Wall End Angle (WEA12) cabinets.
- Both side panels convert to ¾" plywood sides except Base End Angle (BEA12 FH) cabinet which converts the 12" side panel only.
- May be combined with all construction options excluding Cabinet Front Only and Plywood Ends.
- End panels are not required for installation of Decorator Matching Doors or the exposed ends of cabinets with the Furniture Ends Option.
- Cabinet Angle Molding (CAM8) cannot be used with cabinets with the Furniture Ends Option.
- Sink Front Return (SFR R/L) with the Furniture Ends Option will include a rabbeted front edge.
- A seam will be visible between stacked cabinets and on 93" and 96" Tall cabinets between the toe kick box and the cabinet. Use decorative molding to conceal this seam.
 - » Use decorative molding (e.g., Batten Molding or Ogee Pilaster Molding).
 - » Use a Column Filler or Wood Tall End Panel.
- Plywood can consist of a combination of veneer and MDF layers to achieve superior product stability and finish quality. Plywood components meet the ANSI/HPVA hardwood and decorative plywood standards (www.decorativehardwoodsassociation.org).



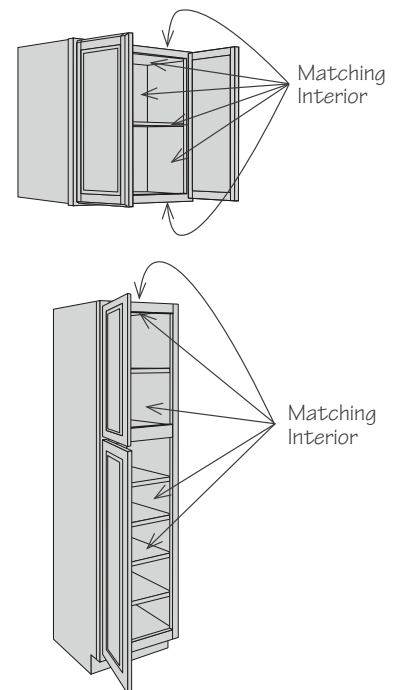
Matching Interior Option

MI

The Matching Interior Cabinet Option is available for Wall cabinets (with exceptions noted below), Utility cabinets, Vanity Linen cabinets and Refrigerator Return Panels. This option matches the cabinet's interior, top and bottom to that of the cabinet box exterior. For textured-wrapped Duraform, refer to door style page for box finish.

Notes:

- May be combined with all construction options excluding Cabinet Front Only.
- Not available for wall cabinets with a standard matching interior (including all Specialty Door cabinets).
- All Plywood Construction Option (APC), Furniture End Option (FE), or Plywood End Option (PE) is recommended when Matching Interior (MI) is selected.
- Standard construction cabinetry with the Matching Interior Option features two-sided engineered wood side panels finished to match cabinet box exterior.
- Cabinetry with the All Plywood Construction Option (APC), Furniture Ends Option (FE) or Plywood Ends Option (PE) features plywood side panels finished to match cabinet box exterior.
- Matching Interior cabinetry with the All Plywood Construction Option features ¾" plywood shelves finished to match cabinet box exterior.
- Recommended for cabinets with the Void Door Option (VDO).
- All finished surfaces of the Wall, Utility and Vanity Linen cabinets will be color matched including shelves, back, interior and exterior of returns, top and bottom.
- Surfaces that are not finished (including hanging rails, tops/bottoms of side panels, cabinet backs, etc.) will remain unfinished.
- Interior accessories in Matching Interior cabinets (i.e., Spice Rack Kit, Deep Roll Out Trays, Pantry Swing Out Kit) will remain natural finish.
- When Matching Interior (MI) is ordered for Breeze and Drift finishes, cabinet interior will match cabinet box exterior.



Specialty Door cabinets are available for most Wall, Utility and Vanity Linen cabinet sizes. All Specialty Door cabinets include Matching Interior as standard and require one of the specialty door options below. Specialty Door options for Utility and Vanity Linen cabinets apply to top door(s) only.

Open Frame Door (OFD) notes:

- Features door frame only with no mullions or center panel.
- Decorative Glass Inserts and appropriate glass clips are shipped separately from the cabinet for field installation - see pages 50-51 for available Glass Inserts.
- See page 47 for door style profiles.

Mullion Frame Door (MFD) notes:

- Features grid-style mullions.
- Not available for Wall Top Hinge cabinets.
- Decorative Glass Inserts and appropriate glass clips are shipped separately from the cabinet for field installation - see pages 50-51 for available Glass Inserts.
- See pages 48-49 for door style profiles.

Specialty Door Availability by Size NEW! SIZES

| Door Width | Cabinet Door Height | | | | | | | | | |
|--------------|---------------------|---------------|---------------|---------------|---------------|---------------|---------------|---------------|---------------|---------------|
| | 12" High Wall | 15" High Wall | 18" High Wall | 21" High Wall | 24" High Wall | 27" High Wall | 30" High Wall | 36" High Wall | 39" High Wall | 42" High Wall |
| 12" Wide | ● | ● | ● | | ● | | ● | ● | ● | ● |
| 13" Wide | ● | ● | ● | | ● | | ● | ● | ● | ● |
| 15" Wide | ● | ● | ● | ● | ● | ● | ● | ● | ● | ● |
| 16" Wide | ● | ● | ● | ● | ● | | ● | ● | ● | ● |
| 18" Wide | ● | ● | ● | ● | ● | | ● | ● | ● | ● |
| 18 1/2" Wide | ● | ● | ● | ● | ● | | | | | |
| 19" Wide | ● | ● | ● | ● | ● | | ● | ● | | ● |
| 21" Wide | ● | ● | ● | | ● | | ● | ● | ● | ● |
| 30" Wide | | ■ | ■ | | | | | | | |
| 36" Wide | | ■ | ■ | | | | | | | |

- Available with all Specialty Door Options
- Wall Top Hinge cabinets only - not available with MFD

Specialty Door Availability by Door Style

| Door Style | OFD | MFD |
|---------------------------|-----|-----|
| Adelaide | ● | |
| Adelaide w/ DFO | ● | |
| Brookland | ● | ● |
| Brookland w/ DFO | ● | ● |
| Brookland Duraform | ● | |
| Brookland Duraform w/ DFO | ● | |
| Garner | ● | |
| Garner w/ DFO | ● | |
| Glen Ellen | ● | |
| Hanover | ● | |
| Leesburg | ● | |
| Leesburg w/ DFO | ● | |
| MacArthur | ● | |
| Portola | ● | ● |
| Portola w/ DFO | ● | ● |
| Reading | ● | |
| Reading w/ DFO | ● | |
| Remy | ● | |
| Remy w/ DFO | ● | |
| San Mateo | ● | |
| Savannah | ● | ● |
| Westerly | ● | ● |
| Westerly w/ DFO | ● | ● |

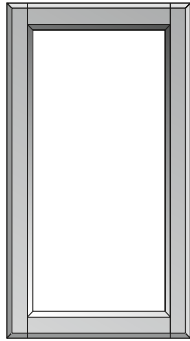
Open Frame Specialty Doors

OFD

CONSTRUCTION OPTIONS

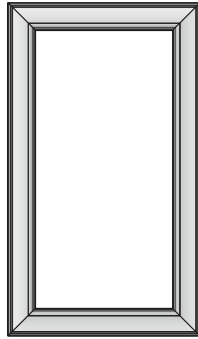
Profile for:

- Portola
- Portola w/ DFO



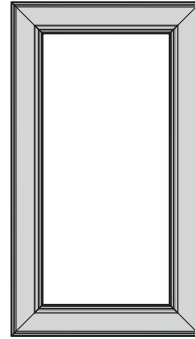
Profile for:

- Glen Ellen



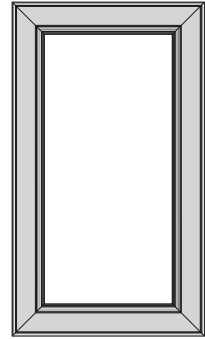
Profile for:

- Brookland
- Brookland w/ DFO



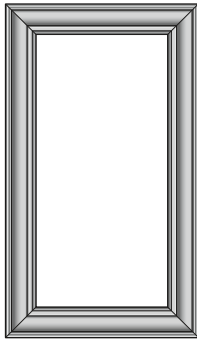
Profile for:

- MacArthur



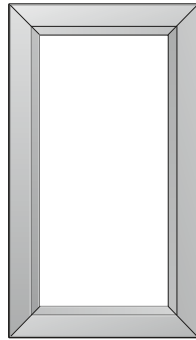
Profile for:

- Savannah



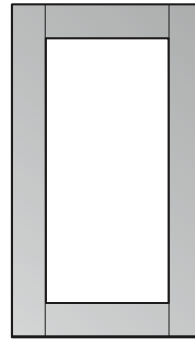
Profile for:

- Garner
- Garner w/ DFO



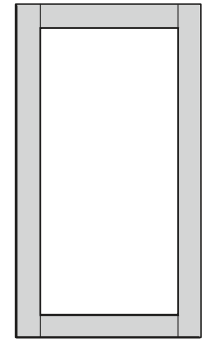
Profile for:

- Hanover
- Reading
- Reading w/ DFO



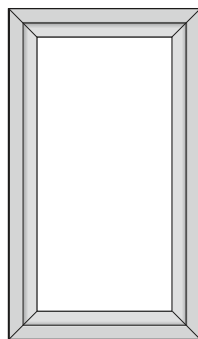
Profile for:

- Leesburg
- Leesburg w/ DFO
- San Mateo



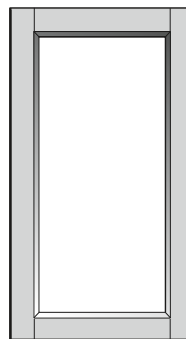
Profile for:

- Remy
- Remy w/ DFO



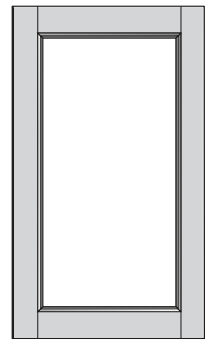
Profile for:

- Westerly
- Westerly w/ DFO



Profile for:

- Adelaide
- Adelaide w/ DFO

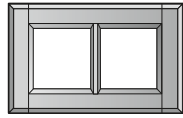


Mullion Frame Specialty Doors

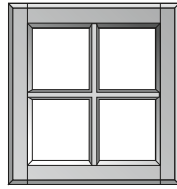
MFD

Profile for:

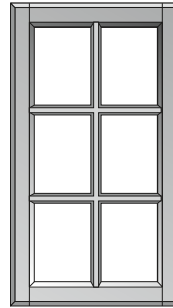
- Portola
- Portola w/ DFO



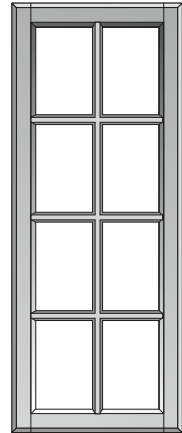
12" High Wall Cabinet



15", 18", 21", 24" or 27" High Wall Cabinet



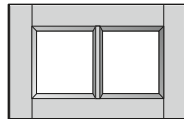
30" or 36" High Wall Cabinet
84" or 90" High Utility Cabinet
84" High Vanity Linen Cabinet



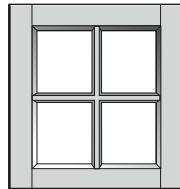
39" or 42" High Wall Cabinet
93" or 96" High Utility Cabinet

Profile for:

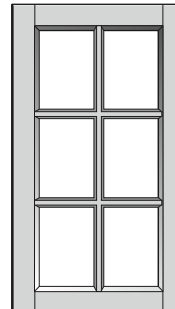
- Westerly
- Westerly w/ DFO



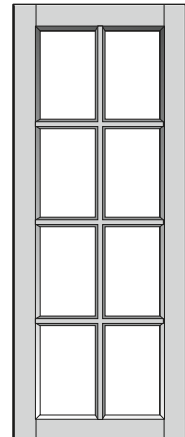
12" High Wall Cabinet



15", 18", 21", 24" or 27" High Wall Cabinet



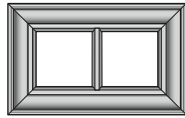
30" or 36" High Wall Cabinet
84" or 90" High Utility Cabinet
84" High Vanity Linen Cabinet



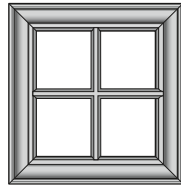
39" or 42" High Wall Cabinet
93" or 96" High Utility Cabinet

Profile for:

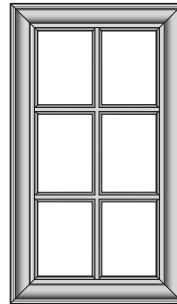
- Savannah



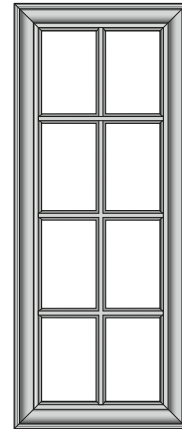
12" High Wall Cabinet



15", 18", 21", 24" or 27"
High Wall Cabinet



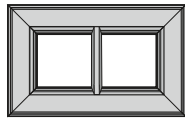
30" or 36" High Wall Cabinet
84" or 90" High Utility Cabinet
84" High Vanity Linen Cabinet



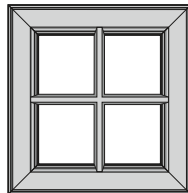
39" or 42" High Wall Cabinet
93" or 96" High Utility Cabinet

Profile for:

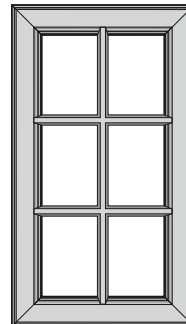
- Brookland*
- Brookland w/ DFO*



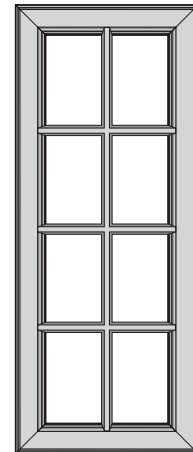
12" High Wall Cabinet



15", 18", 21", 24" or 27"
High Wall Cabinet



30" or 36" High Wall Cabinet
84" or 90" High Utility Cabinet
84" High Vanity Linen Cabinet



39" or 42" High Wall Cabinet
93" or 96" High Utility Cabinet

*Not available for Duraform

Clear Glass



| |
|-----|
| MFD |
| OFD |

- 1/8" thick panel
- Clear glass
- Tempered safety glass
- Includes appropriate Decorative Glass Clips
- Order as DGI-__CLEAR, refer to Parts Directory for nomenclature and dimensions

Derbyshire Seeded Glass



| |
|-----|
| MFD |
| OFD |

- 5/16" thick panel
- Clear seeded glass
- Laminated safety glass
- Includes appropriate Decorative Glass Clips
- Order as DGI-__DERBYSHIRE, refer to Parts Directory for nomenclature and dimensions

Frosted Glass



| |
|-----|
| MFD |
| OFD |

- 1/8" thick panel
- Frosted glass with etched finish
- Tempered safety glass
- Includes appropriate Decorative Glass Clips
- Order as DGI-__FROSTED, refer to Parts Directory for nomenclature and dimensions

Frosted Ash Glass



| |
|-----|
| MFD |
| OFD |

- 1/8" thick panel
- Gray tinted glass
- Tint is manufactured in material - not a film
- Tempered safety glass
- Includes appropriate Decorative Glass Clips
- Order as DGI-__FROSTED ASH, refer to Parts Directory for nomenclature and dimensions

Impression Glass



| |
|-----|
| MFD |
| OFD |

- 1/8" thick panel
- Sculptural glass
- Tempered safety glass
- Includes appropriate Decorative Glass Clips
- Order as DGI-__IMPRESSION, refer to Parts Directory for nomenclature and dimensions

Meredith Glass



| |
|-----|
| MFD |
| OFD |

- 1/4" overall thickness (1/8" beveled edge thickness)
- Clear glass design with 1 1/4" wide beveled edges
- Tempered safety glass
- Includes appropriate Decorative Glass Clips
- Order as DGI-__MEREDITH, refer to Parts Directory for nomenclature and dimensions

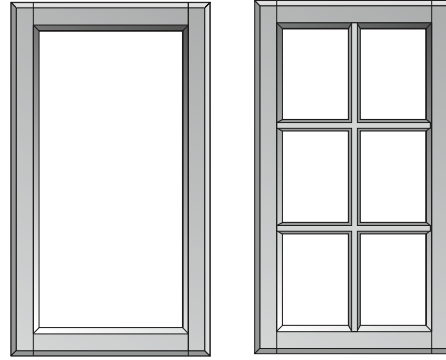
Ribbed Glass



MFD
OFD

- 1/8" thick panel
- Clear ribbed glass
- Tempered safety glass
- Includes appropriate Decorative Glass Clips
- Not available for Wall Top Hinge cabinets
- Order as DGI-__RIBBED, refer to Parts Directory for nomenclature and dimensions

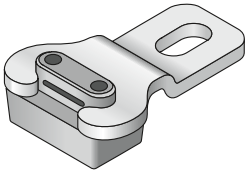
Prepped for Glass



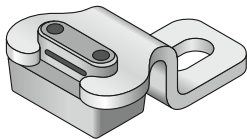
MFD
OFD

- For customer installed inserts up to 5/16" thick
- Refer to pages 47-49 for door style specific profile
- Decorative Glass Clips not included - order separately

Decorative Glass Clips



CLIP DGI 1/8



CLIP DGI 5/16

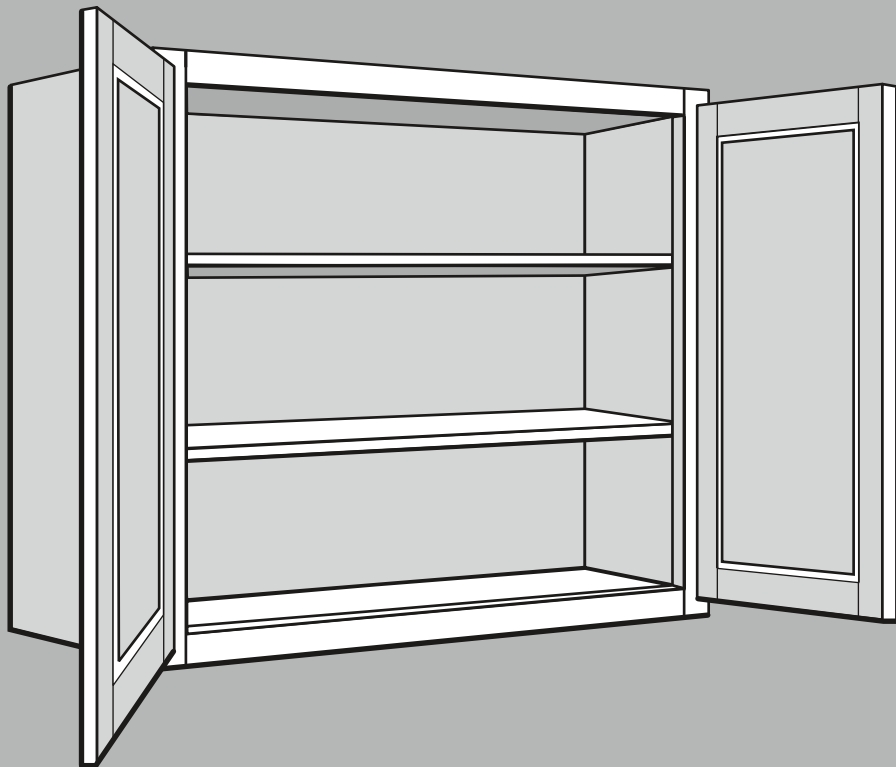
- For installation of Decorative Glass Inserts
- Order one bag (six clips) per door
- See chart for correct glass pairing

| Glass Insert | CLIP DGI 1/8 | CLIP DGI 5/16 |
|--------------|--------------|---------------|
| Clear | • | |
| Derbyshire | | • |
| Frosted | • | |
| Frosted Ash | • | |
| Impression | • | |
| Meredith | • | |
| Ribbed | • | |

CLIP DGI 1/8
CLIP DGI 5/16

CONSTRUCTION OPTIONS: Notes

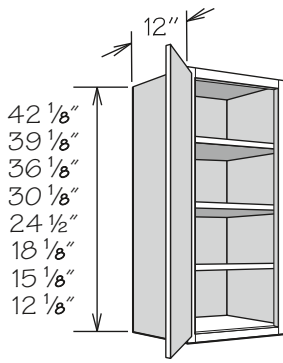
Wall Cabinets



Wall Cabinets - 1 Door

NEW!

SIZES



42" High Shown

- Specialty Door cabinets (SD) feature Matching Interior standard and require a specialty door selection
- Must be ordered as hinged left or right
- 18", 15" and 12" high wall cabinets are not drilled for adjustable shelf

| |
|-------|
| APC |
| CFO |
| FE |
| ID |
| MI ■ |
| PE |
| RD |
| VDO ■ |

12" DEEP

42"H - 3 Shelves

W942 ■
W1242 ■
W1542 ■
W1842 ■
W2142 ■
W1242 SD
W1542 SD
W1842 SD
W2142 SD

39"H - 3 Shelves

W939 ■
W1239 ■
W1539 ■
W1839 ■
W2139 ■
W1239 SD
W1539 SD
W1839 SD
W2139 SD

36"H - 2 Shelves

W936 ■
W1236 ■
W1536 ■
W1836 ■
W2136 ■
W1236 SD
W1536 SD
W1836 SD
W2136 SD

30"H - 2 Shelves

W930 ■
W1230 ■
W1530 ■
W1830 ■
W2130 ■
W2430 ■
W1230 SD
W1530 SD
W1830 SD
W2130 SD

24"H - 1 Shelf

W1224 ■
W1524 ■
W1824 ■
W2124 ■
W1224 SD
W1524 SD
W1824 SD
W2124 SD

18"H - No Shelf

W1218 ■
W1518 ■
W1818 ■
W2118 ■
W1218 SD
W1518 SD
W1818 SD
W2118 SD

15"H - No Shelf

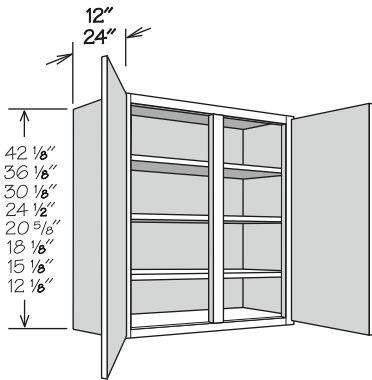
W1215 ■
W1515 ■
W1815 ■
W2115 ■
W1215 SD
W1515 SD
W1815 SD
W2115 SD

12"H - No Shelf

W1212 ■
W1512 ■
W1812 ■
W2112 ■
W1212 SD
W1512 SD
W1812 SD
W2112 SD

WALL CABINETS

Wall Cabinets - 2 Doors



42" High Shown

- Specialty Door cabinets (SD) feature Matching Interior standard and require a specialty door selection
- 24" deep cabinets must be installed by:
 - » Securely attaching to studs in back wall and both sides or to studs in back wall, one side and top (e.g. two adjacent cabinets or one adjacent cabinet and a wall)
 - » And must be either stacked, floor mounted or installed over a refrigerator
- 21", 18", 15" and 12" high wall cabinets are not drilled for adjustable shelf
- Center shelf support provided on cabinets 39" or wider (where applicable)

| |
|-------|
| APC |
| CFO |
| FE |
| MI ■ |
| PE |
| CFO |
| VDO ■ |

12" DEEP

42"H - 3 Shelves

W3942 ■
W4242 ■
W3942 SD
W4242 SD

36"H - 3 Shelves

W3936 ■
W4236 ■
W3936 SD
W4236 SD

30"H - 2 Shelves

W3930 ■
W4230 ■
W4830 ■
W3930 SD
W4230 SD

24"H - 1 Shelf

W3924 ■
W4224 ■
W3924 SD
W4224 SD

21"H - No Shelf

W3921 ■
W3921 SD

18"H - No Shelf

W3918 ■
W4218 ■
W3918 SD
W4218 SD

15"H - No Shelf

W3915 ■
W3915 SD

12"H - No Shelf

W3912 ■
W3912 SD

24" DEEP

24"H - 1 Shelf

W3924 x 24 DP ■
W3924 X 24 DP SD

21"H - No Shelf

W3921 X 24 DP ■
W3921 X 24 DP SD

18"H - No Shelf

W3918 X 24 DP ■
W3918 X 24 DP SD

15"H - No Shelf

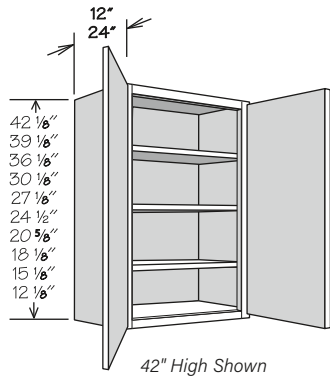
W3915 X 24 DP ■
W3915 X 24 DP SD

12"H - No Shelf

W3912 X 24 DP ■
W4212 X 24 DP ■
W3912 X 24 DP SD

Wall Cabinets - 2 Butt Doors

NEW! **SIZES**



- Specialty Door cabinets (SD) feature Matching Interior standard and require a specialty door selection
- 24" deep cabinets must be installed by:
 - » Securely attaching to studs in back wall and both sides or to studs in back wall, one side and top (e.g. two adjacent cabinets or one adjacent cabinet and a wall)
 - » And must be either stacked, floor mounted or installed over a refrigerator
- 21", 18", 15" and 12" high wall cabinets are not drilled for adjustable shelf

| |
|-------|
| APC |
| CFO |
| FE |
| ID ◆ |
| MI ■ |
| PE |
| RD |
| VDO ■ |

12" DEEP

42"H - 3 Shelves

- W2442 BUTT ■◆
- W2742 BUTT ■◆
- W3042 BUTT ■◆
- W3342 BUTT ■◆
- W3642 BUTT ■◆
- W2442 BUTT SD ◆
- W2742 BUTT SD ◆
- W3042 BUTT SD ◆
- W3342 BUTT SD ◆
- W3642 BUTT SD ◆

39"H - 3 Shelves

- W2439 BUTT ■◆
- W2739 BUTT ■◆
- W3039 BUTT ■◆
- W3339 BUTT ■◆
- W3639 BUTT ■◆
- W2439 BUTT SD ◆
- W2739 BUTT SD ◆
- W3039 BUTT SD ◆
- W3339 BUTT SD ◆
- W3639 BUTT SD ◆

36"H - 2 Shelves

- W2436 BUTT ■◆
- W2736 BUTT ■◆
- W3036 BUTT ■◆
- W3336 BUTT ■◆
- W3636 BUTT ■◆
- W2436 BUTT SD ◆
- W2736 BUTT SD ◆
- W3036 BUTT SD ◆
- W3336 BUTT SD ◆
- W3636 BUTT SD ◆

30"H - 2 Shelves

- W2430 BUTT ■◆
- W2730 BUTT ■◆
- W3030 BUTT ■◆
- W3330 BUTT ■◆
- W3630 BUTT ■◆
- W2430 BUTT SD ◆
- W2730 BUTT SD ◆
- W3030 BUTT SD ◆
- W3330 BUTT SD ◆
- W3630 BUTT SD ◆

27"H - 1 Shelf

- W3027 BUTT ■◆
- W3027 BUTT SD ◆

24"H - 1 Shelf

- W2424 BUTT ■◆
- W2724 BUTT ■◆
- W3024 BUTT ■◆
- W3324 BUTT ■◆
- W3624 BUTT ■◆
- W2424 BUTT SD ◆
- W2724 BUTT SD ◆
- W3024 BUTT SD ◆
- W3324 BUTT SD ◆
- W3624 BUTT SD ◆

21"H - No Shelf

- W3021 BUTT ■◆
- W3321 BUTT ■◆
- W3621 BUTT ■◆
- W3021 BUTT SD ◆
- W3321 BUTT SD ◆
- W3621 BUTT SD ◆

18"H - No Shelf

- W2418 BUTT ■◆
- W2718 BUTT ■◆
- W3018 BUTT ■◆
- W3318 BUTT ■◆
- W3618 BUTT ■◆
- W2418 BUTT SD ◆
- W2718 BUTT SD ◆
- W3018 BUTT SD ◆
- W3318 BUTT SD ◆
- W3618 BUTT SD ◆

15"H - No Shelf

- W2415 BUTT ■◆
- W2715 BUTT ■◆
- W3015 BUTT ■◆
- W3315 BUTT ■◆
- W3615 BUTT ■◆
- W2415 BUTT SD ◆
- W2715 BUTT SD ◆
- W3015 BUTT SD ◆
- W3315 BUTT SD ◆
- W3615 BUTT SD ◆

12"H - No Shelf

- W2412 BUTT ■◆
- W2712 BUTT ■◆
- W3012 BUTT ■◆
- W3312 BUTT ■◆
- W3612 BUTT ■◆
- W2412 BUTT SD ◆
- W2712 BUTT SD ◆
- W3012 BUTT SD ◆
- W3312 BUTT SD ◆
- W3612 BUTT SD ◆

24" DEEP

27"H - 1 Shelf

- W3027 X 24 DP BUTT ■
- W3027 X 24 DP BUTT SD

24"H - 1 Shelf

- W3024 X 24 DP BUTT ■
- W3324 X 24 DP BUTT ■
- W3624 X 24 DP BUTT ■
- W3724 X 24 DP BUTT ■
- W3024 X 24 DP BUTT SD
- W3324 X 24 DP BUTT SD
- W3624 X 24 DP BUTT SD
- W3724 X 24 DP BUTT SD

21"H - No Shelf

- W3021 X 24 DP BUTT ■
- W3321 X 24 DP BUTT ■
- W3621 X 24 DP BUTT ■
- W3721 X 24 DP BUTT ■
- W3021 X 24 DP BUTT SD
- W3321 X 24 DP BUTT SD
- W3621 X 24 DP BUTT SD
- W3721 X 24 DP BUTT SD

18"H - No Shelf

- W3018 X 24 DP BUTT ■
- W3318 X 24 DP BUTT ■
- W3618 X 24 DP BUTT ■
- W3718 X 24 DP BUTT ■
- W3018 X 24 DP BUTT SD
- W3318 X 24 DP BUTT SD
- W3618 X 24 DP BUTT SD
- W3718 X 24 DP BUTT SD

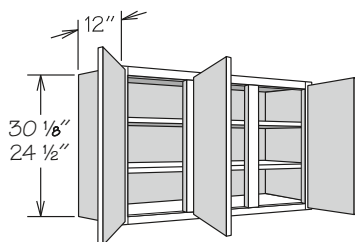
15"H - No Shelf

- W3015 X 24 DP BUTT ■
- W3315 X 24 DP BUTT ■
- W3615 X 24 DP BUTT ■
- W3715 X 24 DP BUTT ■
- W3015 X 24 DP BUTT SD
- W3315 X 24 DP BUTT SD
- W3615 X 24 DP BUTT SD
- W3715 X 24 DP BUTT SD

12"H - No Shelf

- W3012 X 24 DP BUTT ■
- W3312 X 24 DP BUTT ■
- W3612 X 24 DP BUTT ■
- W3712 X 24 DP BUTT ■
- W3012 X 24 DP BUTT SD
- W3312 X 24 DP BUTT SD
- W3612 X 24 DP BUTT SD
- W3712 X 24 DP BUTT SD

Wall Cabinets - 3 Doors



- Hinged as shown
- Center shelf support provided

| |
|-------|
| APC |
| CFO |
| FE |
| MI ■ |
| PE |
| RD |
| VDO ■ |

3 DOORS

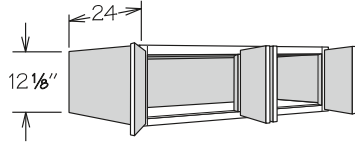
30"H - 2 Shelves

- W4530 ■
- W4530 SD

24"H - 1 Shelf

- W4524 ■
- W4524 SD

Wall Cabinets - 4 Doors



- Two sets of BUTT doors
- Cabinet must be installed by:
 - » Securely attaching to studs in back wall and both sides or to studs in back wall, one side and top (e.g. two adjacent cabinets or one adjacent cabinet and a wall)
 - » And must be either stacked, floor mounted or installed over a refrigerator

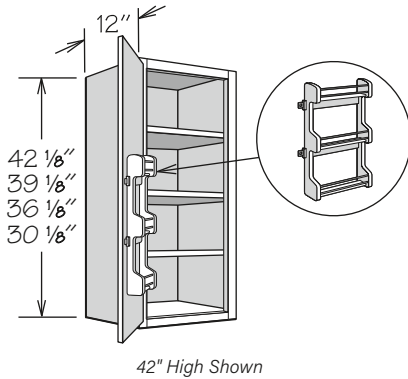
| |
|-----|
| APC |
| CFO |
| FE |
| MI |
| PE |
| RD |
| VDO |

4 BUTT DOORS

12"H - No Shelves

W4812 X 24 DP BUTT

Wall Cabinet with Spice Rack - 1 Door



- Spice Rack Kit packaged separately for field installation
- Position adjustable shelves prior to installation
- Kit in natural finish solid wood features chrome rails and three fixed shelves
- Must be ordered as hinged left or right

| |
|-----|
| APC |
| FE |
| ID |
| MI |
| PE |

12" DEEP

42"H - 3 Shelves

W1542 SR
W1842 SR
W2142 SR

36"H - 2 Shelves

W1536 SR
W1836 SR
W2136 SR

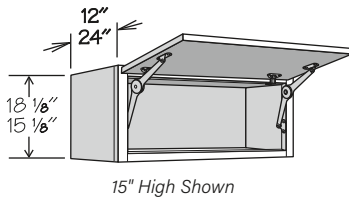
39"H - 3 Shelves

W1539 SR
W1839 SR
W2139 SR

30"H - 2 Shelves

W1530 SR
W1830 SR
W2130 SR

Wall Top Hinge - 1 Door



- Features one pair of factory installed, field adjustable lid stays that supports door securely at any angle up to 105°
- Cabinet can be flipped to open downwards and lid stay can be adjusted to support door
- Door rail and stile configuration and insert panel grain direction will differ from standard wall cabinets, except for Hanover in Breeze and Drift finishes
- Hanover in Breeze and Drift finishes features a door with vertical grain direction to match standard wall cabinets
- Specialty Door cabinets (SD) feature Matching Interior standard and require a specialty door selection
- 24" deep cabinets must be installed by:
 - » Securely attaching to studs in back wall and both sides or to studs in back wall, one side and top (e.g. two adjacent cabinets or one adjacent cabinet and a wall)
 - » And must be either stacked, floor mounted or installed over a refrigerator

| |
|-------|
| APC |
| FE |
| ID ◆ |
| MI ■ |
| PE |
| RD |
| VDO ■ |

12" DEEP

18"H - No Shelf

WTH3018 ■ ◆
WTH3618 ■ ◆
WTH3018 SD ◆
WTH3618 SD ◆

15"H - No Shelf

WTH3015 ■ ◆
WTH3615 ■ ◆
WTH3015 SD ◆
WTH3615 SD ◆

24" DEEP

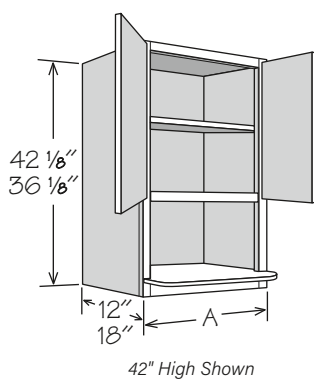
18"H - No Shelf

WTH3018 X 24 DP ■
WTH3618 X 24 DP ■
WTH3018 X 24 DP SD
WTH3618 X 24 DP SD

15"H - No Shelf

WTH3015 X 24 DP ■
WTH3615 X 24 DP ■
WTH3015 X 24 DP SD
WTH3615 X 24 DP SD

Wall Microwave Cabinets - 2 Butt Doors

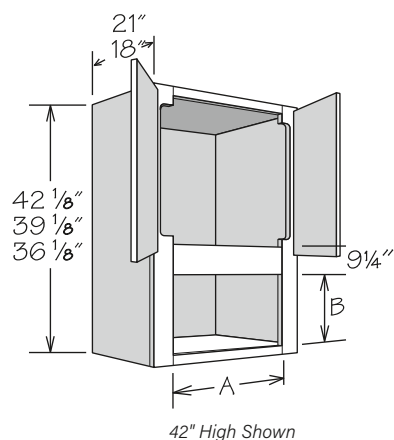


- Must be installed between two adjacent cabinets or a cabinet and a wall
- Cabinet interior and microwave shelf is finished to match cabinet box exterior
- 3/4" plywood microwave shelf included
- Designed to accommodate countertop style microwave
- Refer to appliance manufacturer's specifications for adequate clearances
- 36" high not drilled for adjustable shelf

| |
|-----|
| APC |
| FE |
| PE |
| RD |
| VDO |

| 12" DEEP | A | LOWER FRAME OPENING | | |
|------------------------|-----|---------------------|---------|---------|
| | | WIDTH | HEIGHT | DEPTH |
| 36"H - No Shelf | | | | |
| WMSC271236 BUTT | 27" | 23 3/4" | 18 5/8" | 17 3/4" |
| WMSC301236 BUTT | 30" | 26 3/4" | 18 5/8" | 17 3/4" |
| WCMSC241236 BUTT | 24" | 20 3/4" | 15 5/8" | 17 3/4" |
| WCMSC271236 BUTT | 27" | 23 3/4" | 15 5/8" | 17 3/4" |
| 18" DEEP | | | | |
| 42"H - 1 Shelf | | | | |
| WMSC271842 BUTT | 27" | 23 3/4" | 15 1/4" | 23 3/4" |
| 36"H - No Shelf | | | | |
| WMSC271836 BUTT | 27" | 23 3/4" | 18 5/8" | 23 3/4" |

Microwave Wall Cabinets - 2 Butt Doors

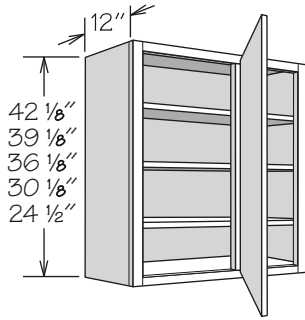


- Must be installed between two cabinets or a cabinet and a wall
- Designed to accommodate microwaves with trim kit
- A cutout exists in the door area where the 3/8" stiles are routed to 1 5/8"
- Refer to appliance manufacturers specifications for adequate clearances
- Not drilled for adjustable shelf

| |
|-----|
| APC |
| FE |
| ID |
| MI |
| PE |
| RD |

| 18" DEEP | A | | B | | B MAX. (POL) |
|------------------------|---------|------|---------|------------|--------------|
| | ACTUAL | MAX. | ACTUAL | MAX. (FOL) | |
| 42"H - No Shelf | | | | | |
| WMC301842 BUTT | 23 3/4" | 28" | 12 1/4" | 19 1/2" | 20" |
| 39"H - No Shelf | | | | | |
| WMC271839 BUTT | 20 3/4" | 25" | 11 3/4" | 19 1/2" | 20" |
| WMC301839 BUTT | 23 3/4" | 28" | 11 3/4" | 19 1/2" | 20" |
| 36"H - No Shelf | | | | | |
| WMC271836 BUTT | 20 3/4" | 25" | 11 3/4" | 19 1/2" | 20" |
| WMC301836 BUTT | 23 3/4" | 28" | 11 3/4" | 19 1/2" | 20" |
| 21" DEEP | | | | | |
| 42"H - No Shelf | | | | | |
| WMC302142 BUTT | 23 3/4" | 28" | 12 1/4" | 19 1/2" | 20" |
| 39"H - No Shelf | | | | | |
| WMC272139 BUTT | 20 3/4" | 25" | 11 3/4" | 19 1/2" | 20" |
| WMC302139 BUTT | 23 3/4" | 28" | 11 3/4" | 19 1/2" | 20" |
| 36"H - No Shelf | | | | | |
| WMC272136 BUTT | 20 3/4" | 25" | 11 3/4" | 19 1/2" | 20" |
| WMC302136 BUTT | 23 3/4" | 28" | 11 3/4" | 19 1/2" | 20" |

Blind Wall Cabinet - 1 Door



42" High Shown

- Cabinet shown as right indicating blind opening is on the right side of cabinet (must be ordered as left or right)
- Includes 1/8" panel to cover blind opening (field trim and install)
- Refer to Blind Wall Cabinet Installation Chart for specifications
- Must order Universal Filler separately
- Specialty Door cabinets (SD) feature Matching Interior standard and require a specialty door selection

| |
|-------|
| APC |
| CFO |
| FE |
| ID |
| MI ■ |
| PE |
| RD |
| VDO ■ |

12" DEEP

42"H - 3 Shelves

BLW24/2742 ■
 BLW30/3342 ■
 BLW33/3642 ■
 BLW24/2742 SD
 BLW30/3342 SD
 BLW33/3642 SD

39"H - 3 Shelves

BLW24/2739 ■
 BLW30/3339 ■
 BLW33/3639 ■
 BLW24/2739 SD
 BLW30/3339 SD
 BLW33/3639 SD

36"H - 2 Shelves

BLW24/2736 ■
 BLW30/3336 ■
 BLW33/3636 ■
 BLW24/2736 SD
 BLW30/3336 SD
 BLW33/3636 SD

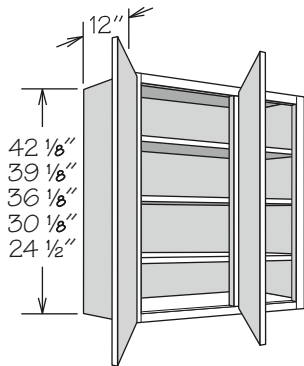
30"H - 2 Shelves

BLW24/2730 ■
 BLW27/3030 ■
 BLW30/3330 ■
 BLW33/3630 ■
 BLW36/3930 ■
 BLW24/2730 SD
 BLW27/3030 SD
 BLW30/3330 SD
 BLW33/3630 SD

24"H - 1 Shelf

BLW24/2724 ■
 BLW27/3024 ■
 BLW30/3324 ■
 BLW33/3624 ■
 BLW24/2724 SD
 BLW27/3024 SD
 BLW30/3324 SD
 BLW33/3624 SD

Blind Wall Cabinet - 2 Butt Doors



42" High Shown

- Cabinet shown as right indicating blind opening is on the right side of cabinet (can be reversed in the field)
- Includes 1/8" panel to cover blind opening (field trim and install)
- Refer to Blind Wall Cabinet Installation Chart for specifications
- Must order Universal Filler separately
- Specialty Door cabinets (SD) feature Matching Interior standard and require a specialty door selection
- Center shelf support provided on cabinets 39" or wider

| |
|-------|
| APC |
| CFO |
| FE |
| ID ◆ |
| MI ■ |
| PE |
| RD |
| VDO ■ |

12" DEEP

42"H - 3 Shelves

BLW36/3942 BUTT ■ ◆
 BLW39/4242 BUTT ■
 BLW42/4542 BUTT ■
 BLW36/3942 BUTT SD ◆
 BLW39/4242 BUTT SD
 BLW42/4542 BUTT SD

39"H - 3 Shelves

BLW36/3939 BUTT ■ ◆
 BLW39/4239 BUTT ■
 BLW42/4539 BUTT ■
 BLW36/3939 BUTT SD ◆
 BLW39/4239 BUTT SD
 BLW42/4539 BUTT SD

36"H - 2 Shelves

BLW36/3936 BUTT ■ ◆
 BLW39/4236 BUTT ■
 BLW42/4536 BUTT ■
 BLW36/3936 BUTT SD ◆
 BLW39/4236 BUTT SD
 BLW42/4536 BUTT SD

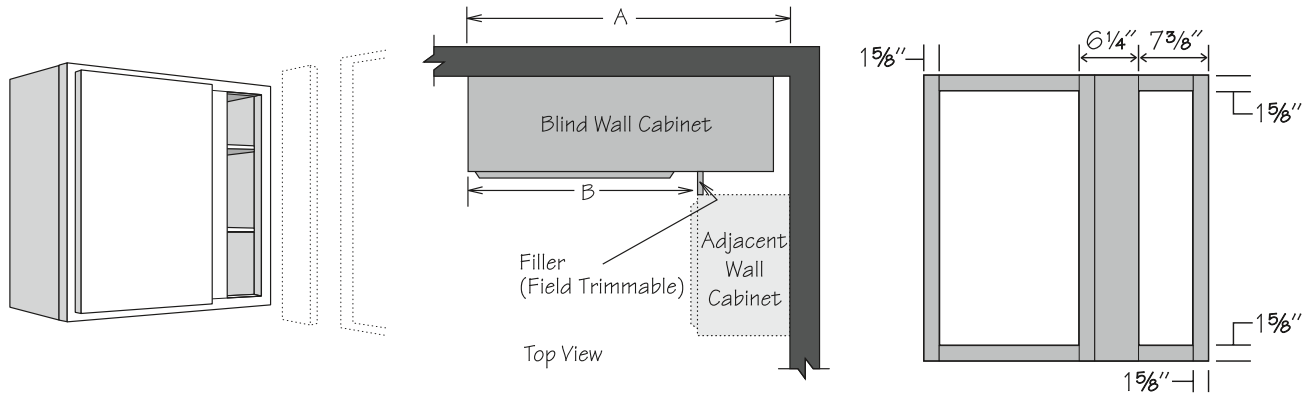
30"H - 2 Shelves

BLW36/3930 BUTT ■ ◆
 BLW39/4230 BUTT ■
 BLW42/4530 BUTT ■
 BLW45/4830 BUTT ■
 BLW48/5130 BUTT ■
 BLW36/3930 BUTT SD ◆
 BLW39/4230 BUTT SD
 BLW42/4530 BUTT SD
 BLW45/4830 BUTT SD
 BLW48/5130 BUTT SD

24"H - 1 Shelf

BLW36/3924 BUTT ■ ◆
 BLW36/3924 BUTT SD ◆

Blind Wall Cabinet Installation Chart



Full Overlay Door Styles

Full Overlay door styles require decorative hardware, which has been calculated into dimensions.

| Cabinet | Actual Cabinet Width | Door Opening | Door(s) | Wall Space A | | | Exposed Frame B | |
|----------------|----------------------|--------------|-----------------|----------------|--------------|---------------|-----------------|---------------|
| | | | | Minimum Space* | Maximum Pull | Maximum Space | Minimum Space* | Maximum Space |
| BLW24/27_ | 24" | 8 3/4" | DR12__ | 26 1/4" | 1 3/4" | 28" | 14 1/4" | 16" |
| BLW27/30_ | 27" | 11 3/4" | DR15__ | 29 1/4" | 1 3/4" | 31" | 17 1/4" | 19" |
| BLW30/33_ | 30" | 14 3/4" | DR18__ | 32 1/4" | 1 3/4" | 34" | 20 1/4" | 22" |
| BLW33/36_ | 33" | 17 3/4" | DR21__ | 35 1/4" | 1 3/4" | 37" | 23 1/4" | 25" |
| BLW36/3930 | 36" | 20 3/4" | DR2430 | 38 1/4" | 1 3/4" | 40" | 26 1/4" | 28" |
| BLW36/39_ BUTT | 36" | 20 3/4" | DR12__ BUTT (2) | 38 1/4" | 1 3/4" | 40" | 26 1/4" | 28" |
| BLW39/42_ BUTT | 39" | 23 3/4" | DR13__ BUTT (2) | 41 1/4" | 1 3/4" | 43" | 29 1/4" | 31" |
| BLW42/45_ BUTT | 42" | 26 3/4" | DR15__ BUTT (2) | 44 1/4" | 1 3/4" | 46" | 32 1/4" | 34" |
| BLW45/48_ BUTT | 45" | 29 3/4" | DR16__ BUTT (2) | 47 1/4" | 1 3/4" | 49" | 35 1/4" | 37" |
| BLW48/51_ BUTT | 48" | 32 3/4" | DR18__ BUTT (2) | 50 1/4" | 1 3/4" | 52" | 38 1/4" | 40" |

*Dimension requirements do not include optional Overlay Fillers - add 7/8" if Overlay Fillers will be used.

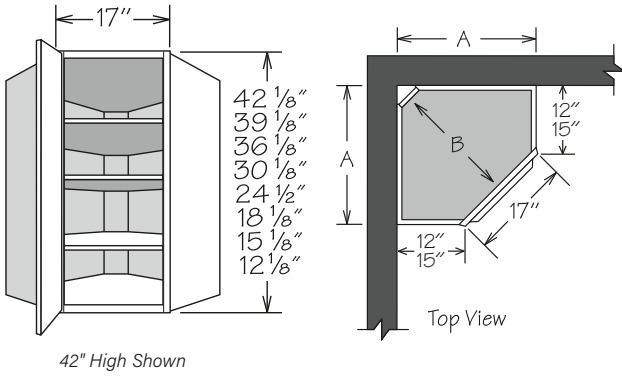
Partial Overlay Door Styles

Wall Space A requirements include optional decorative hardware clearance. 1/4" may be deducted if decorative hardware is not used.

| Cabinet | Actual Cabinet Width | Door Opening | Door(s) | Wall Space A | | | Exposed Frame B | |
|----------------|----------------------|--------------|-----------------|---------------|--------------|---------------|-----------------|---------------|
| | | | | Minimum Space | Maximum Pull | Maximum Space | Minimum Space | Maximum Space |
| BLW24/27_ | 24" | 8 3/4" | DR12__ | 25 3/8" | 2 5/8" | 28" | 13 3/8" | 16" |
| BLW27/30_ | 27" | 11 3/4" | DR15__ | 28 3/8" | 2 5/8" | 31" | 16 3/8" | 19" |
| BLW30/33_ | 30" | 14 3/4" | DR18__ | 31 3/8" | 2 5/8" | 34" | 19 3/8" | 22" |
| BLW33/36_ | 33" | 17 3/4" | DR21__ | 34 3/8" | 2 5/8" | 37" | 22 3/8" | 25" |
| BLW36/3930 | 36" | 20 3/4" | DR2430 | 37 3/8" | 2 5/8" | 40" | 25 3/8" | 28" |
| BLW36/39_ BUTT | 36" | 20 3/4" | DR12__ BUTT (2) | 37 3/8" | 2 5/8" | 40" | 25 3/8" | 28" |
| BLW39/42_ BUTT | 39" | 23 3/4" | DR13__ BUTT (2) | 40 3/8" | 2 5/8" | 43" | 28 3/8" | 31" |
| BLW42/45_ BUTT | 42" | 26 3/4" | DR15__ BUTT (2) | 43 3/8" | 2 5/8" | 46" | 31 3/8" | 34" |
| BLW45/48_ BUTT | 45" | 29 3/4" | DR16__ BUTT (2) | 46 3/8" | 2 5/8" | 49" | 34 3/8" | 37" |
| BLW48/51_ BUTT | 48" | 32 3/4" | DR18__ BUTT (2) | 49 3/8" | 2 5/8" | 52" | 37 3/8" | 40" |

Corner Wall Cabinets

NEW! SIZES



- Must be ordered as hinged left or right
- Door opening is 11 3/4" wide
- Features a DR15_ door
- Specialty Door cabinets (SD) feature Matching Interior standard and require a specialty door selection
- 24" high cabinet's shelf is adjustable, not removable
- Glass Shelf Kit is not available for 24", 18", 15" and 12" high cabinets

| |
|-------|
| APC |
| FE |
| MI ■ |
| PE |
| VDO ■ |

| | A | B |
|----------|-----|---------|
| 12" Deep | 24" | 21 1/2" |
| 15" Deep | 27" | 25 3/4" |

12" DEEP

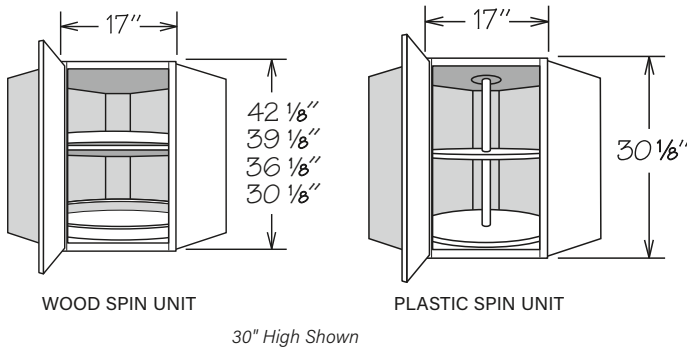
| 42"H • 3 Shelves | 36"H • 2 Shelves | 24"H • 1 Shelf | 18"H • No Shelf | 15"H • No Shelf | 12"H • No Shelf |
|------------------|------------------|----------------|-----------------|-----------------|-----------------|
| CW2442 ■ | CW2436 ■ | CW2424 ■ | CW2418 ■ | CW2415 ■ | CW2412 ■ |
| CW2442 SD | CW2436 SD | CW2424 SD | CW2418 SD | CW2415 SD | CW2412 SD |
| 39"H • 3 Shelves | 30"H • 2 Shelves | | | | |
| CW2439 ■ | CW2430 ■ | | | | |
| CW2439 SD | CW2430 SD | | | | |

15" DEEP

| 42"H • 3 Shelves | 36"H • 2 Shelves | 24"H • 1 Shelf | 18"H • No Shelf | 15"H • No Shelf | 12"H • No Shelf |
|------------------|------------------|----------------|-----------------|-----------------|-----------------|
| CW2742 ■ | CW2736 ■ | CW2724 ■ | CW2718 ■ | CW2715 ■ | CW2712 ■ |
| CW2742 SD | CW2736 SD | CW2724 SD | CW2718 SD | CW2715 SD | CW2712 SD |
| 39"H • 3 Shelves | 30"H • 2 Shelves | | | | |
| CW2739 ■ | CW2730 ■ | | | | |
| CW2739 SD | CW2730 SD | | | | |

WALL CABINETS

Corner Wall Cabinets • Spin Units



- Must be ordered as hinged left or right
- Door opening is 11 3/4" wide
- Features a DR15_ door
- Wood Spin Units feature:
 - » One fixed spin unit mounted on cabinet floor and all other spin units are attached to 3/4" adjustable shelf
 - » Natural wood finish with 1" lip
- Plastic Spin Units feature:
 - » Two spin shelves with pole (top shelf adjustable)
 - » White high strength plastic shelves
- Specialty Door cabinets (SD) feature Matching Interior standard and require a specialty door selection

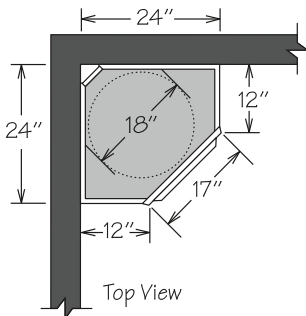
| |
|-------|
| APC |
| FE |
| MI ■ |
| PE |
| VDO ■ |

WOOD SPIN UNIT

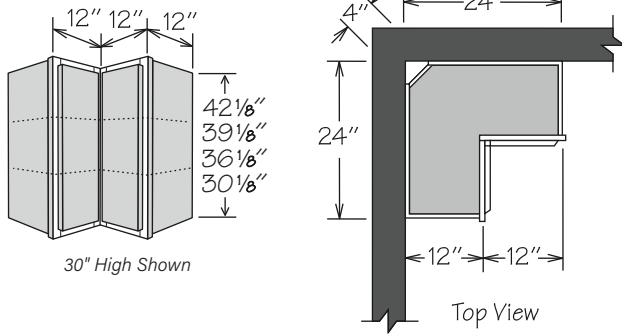
- 42"H • 3 Spin Units**
 - CWS2442 WD ■
 - CWS2442 WD SD
- 39"H • 3 Spin Units**
 - CWS2439 WD ■
 - CWS2439 WD SD
- 36"H • 2 Spin Units**
 - CWS2436 WD ■
 - CWS2436 WD SD
- 30"H • 2 Spin Units**
 - CWS2430 WD ■
 - CWS2430 WD SD

PLASTIC SPIN UNIT

- 30"H • 2 Spin Units**
 - CWS2430 ■
 - CWS2430 SD



Wall Easy Reach



- Must be ordered as hinged left or right
- Stile width and outside profile of both doors at door-to-door hinge may vary from standard dimension and profile for proper door function
- Doors open 170°
- Not available with CushionClose hinges

| |
|-----|
| APC |
| FE |
| MI |
| PE |

12" DEEP

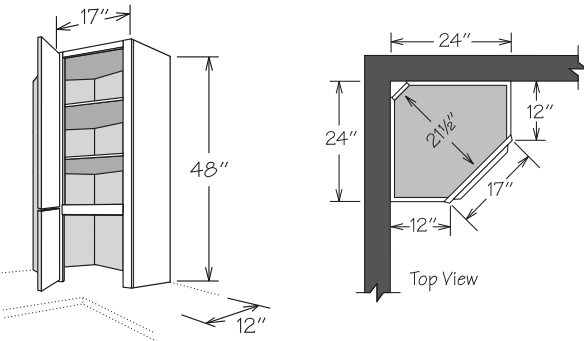
42"H • 3 Shelves
WER2442

39"H • 3 Shelves
WER2439

36"H • 2 Shelves
WER2436

30"H • 2 Shelves
WER2430

Corner Wall Cabinet • Appliance Garage



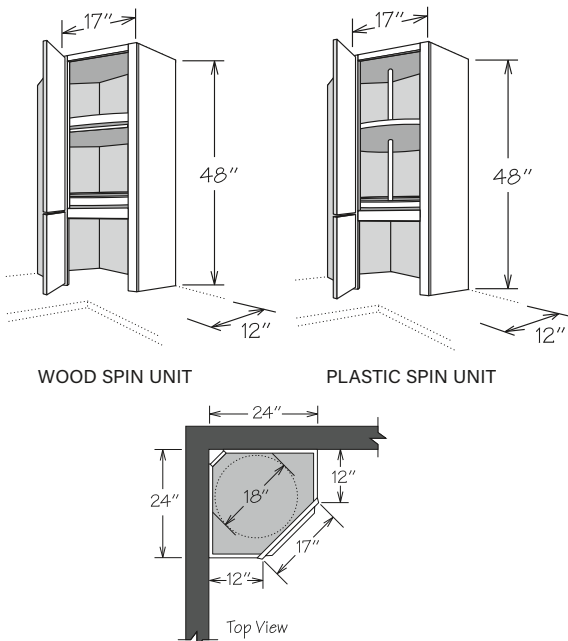
- Features two doors:
 - » (1) DR1530
 - » (1) DR1518
- 11 3/4" wide x 26 7/8" high top door opening
- 11 3/4" wide x 16 1/4" high appliance garage opening
- Specialty Door option only applies to top door - DR1518 SD can be ordered separately for appliance garage
- Specialty Door cabinets (SD) feature Matching Interior standard and require a specialty door selection

| |
|-------|
| APC |
| FE |
| MI ■ |
| PE |
| VDO ■ |

12" DEEP

48"H • 2 Shelves
CWD2448 ■
CWD2448 SD

Corner Wall Cabinet • Appliance Garage with Spin Units



- Wood Spin Units feature:
 - » One fixed spin unit mounted on cabinet floor
 - » One spin unit attached to 3/4" adjustable shelf
 - » Natural wood finish with 1" lip
- Plastic Spin Units feature:
 - » Two spin shelves with pole (top shelf adjustable)
 - » White high strength plastic shelves
- Features two doors:
 - » (1) DR1530
 - » (1) DR1518
- 11 3/4" wide x 26 7/8" high top door opening
- 11 3/4" wide x 16 1/4" high appliance garage opening
- Specialty Door option only applies to top door - DR1518 SD can be ordered separately for appliance garage
- Specialty Door cabinets (SD) feature Matching Interior standard and require a specialty door selection

| |
|-------|
| APC |
| FE |
| MI ■ |
| PE |
| VDO ■ |

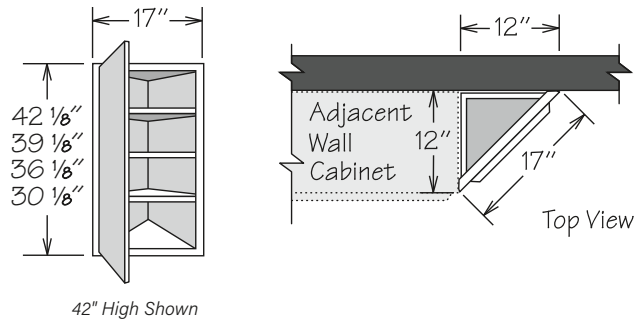
WOOD SPIN UNIT

48"H • 2 Spin Units
CWDS2448 WD ■
CWDS2448 WD SD

PLASTIC SPIN UNIT

48"H • 2 Spin Units
CWDS2448 ■
CWDS2448 SD

Wall End Angle - 1 Door



- Requires 12" x 12" space
- Features a DR15_ door
- Must be ordered as hinged left or right
- Specialty Door cabinets (SD) feature Matching Interior standard and require a specialty door selection

| |
|-------|
| APC |
| MI ■ |
| PE |
| VDO ■ |

12" DEEP

42"H - 3 Shelves

WEA1242 ■
WEA1242 SD

39"H - 3 Shelves

WEA1239 ■
WEA1239 SD

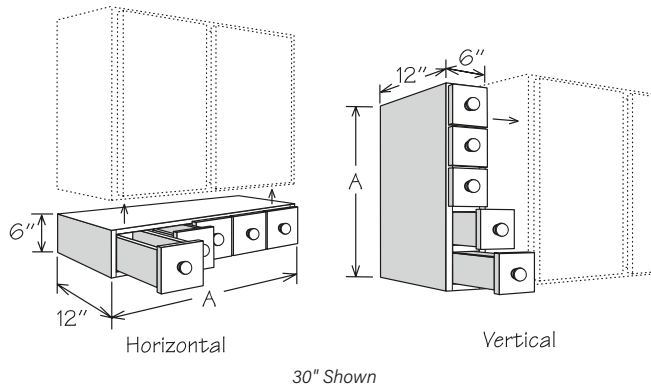
36"H - 2 Shelves

WEA1236 ■
WEA1236 SD

30"H - 2 Shelves

WEA1230 ■
WEA1230 SD

Spice Drawer Cabinet



- Designed for horizontal or vertical installation
- Vertical installation may require the use of fillers and/or molding which must be ordered separately
- All door styles feature veneered engineered wood with 1/2" thick slab drawer fronts
- Flush sides with no face frame or 1/4" reveals
- All wood drawer body with dovetail construction
- Breeze, Linen and Pewter door styles feature white porcelain knobs and all other finishes feature matching wooden knobs
- Duraform door styles feature drawer fronts finished to match cabinet box exterior

12" DEEP

SDC18
SDC24
SDC30
SDC36

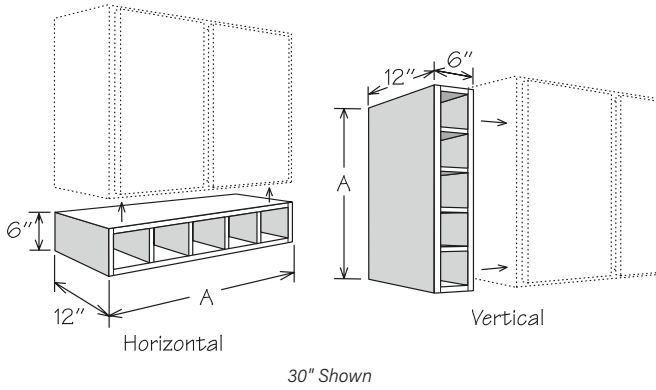
A

18"
24"
30"
36"

NUMBER OF DRAWERS

3
4
5
6

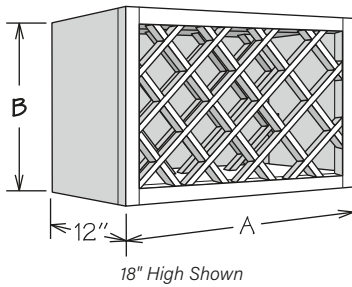
Storage Cube



- Designed for horizontal or vertical installation
- Vertical installation may require the use of fillers and/or molding which must be ordered separately
- Opening size is 5" wide x 4½" high (horizontal) which will accommodate most wine bottles and various other storage needs
- All door styles feature ¾" veneered engineered wood finished to match cabinet box exterior
- Flush sides with no face frame or ¼" reveals
- Interior finished to match cabinet box exterior
- Cannot be retrofitted with Spice Drawer Cabinet drawers

| 12" DEEP | A | NUMBER OF OPENINGS |
|----------|-----|--------------------|
| SC30 | 30" | 5 |
| SC36 | 36" | 6 |
| SC42 | 42" | 7 |

Wine Rack Cabinet

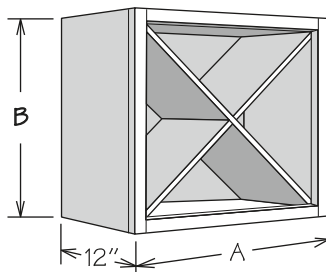


- Interior finished to match cabinet box exterior
- Wine bottle opening is 4" x 4"
- Cabinet must be installed between two adjacent cabinets, one cabinet and a wall, or secured to a cabinet directly above or below

| |
|-----|
| APC |
| FE |
| PE |

| 12" DEEP | A | B | NUMBER OF BOTTLES |
|-------------|-----|------|-------------------|
| 18"H | | | |
| WRC3018 | 30" | 18½" | 11 |
| 15"H | | | |
| WRC3015 | 30" | 15½" | 10 |
| WRC3615 | 36" | 15½" | 13 |

Wine Storage Cabinet

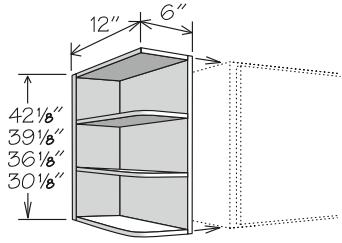


- Interior finished to match cabinet box exterior
- All door styles feature ¾" plywood partitions
- Accent molding recommended – order separately
- Cabinet must be installed between two adjacent cabinets, one cabinet and a wall, or secured to a cabinet directly above or below

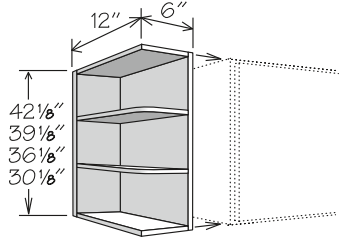
| |
|-----|
| APC |
| FE |
| PE |

| 12" DEEP | A | B | NUMBER OF BOTTLES |
|-------------|-----|------|-------------------|
| 24"H | | | |
| WSC2424 | 24" | 24½" | 30 |
| 18"H | | | |
| WSC1818 | 18" | 18½" | 12 |

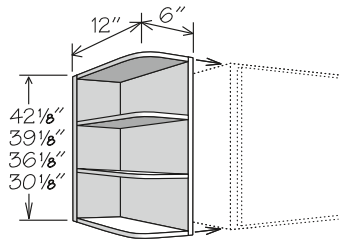
Shelf End Wall



SQUARE TOP, ROUND BOTTOM (SQT)
30" High Shown



SQUARE TOP & BOTTOM (SQTb)
30" High Shown



ROUND TOP & BOTTOM (SEW)
30" High Shown

- Interior finished to match cabinet box exterior
- Features 1/2" veneered engineered wood back and side
- Top, bottom, and shelves are 3/4" veneered engineered wood
- Rounded shelves feature a 3" radius
- 1/8" screw recommended from inside of adjacent cabinet for installation
- Rounded bottom on SEW_SQT does not allow cabinet to be reversed in the field or installation of bottom molding

12" DEEP

42"H • 3 Shelves

SEW42L SQT
SEW42R SQT
SEW42 SQTb
SEW42

39"H • 3 Shelves

SEW39L SQT
SEW39R SQT
SEW39 SQTb
SEW39

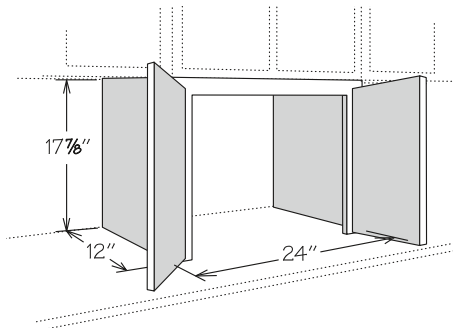
36"H • 2 Shelves

SEW36L SQT
SEW36R SQT
SEW36 SQTb
SEW36

30"H • 2 Shelves

SEW30L SQT
SEW30R SQT
SEW30 SQTb
SEW30

Straight Appliance Garage



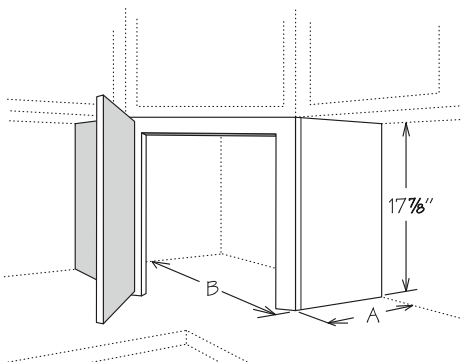
- Installs below minimum 24" wide wall cabinet
- 20 3/4" wide x 15 5/16" high opening
- Shipped with end panels unattached
- No bottom rail

| |
|-------|
| APC |
| FE |
| ID |
| MI ■ |
| RD |
| VDO ■ |

12" DEEP

AGSD24 BUTT ■
AGSD24 BUTT SD

Corner Appliance Garage

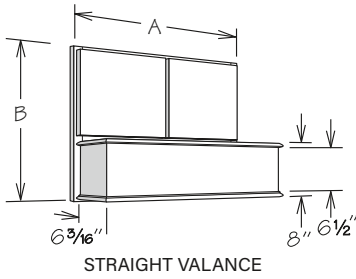


- Installs below CW and CWS Corner Wall cabinets
- 11 3/4" wide x 15 5/16" high opening
- Shipped with end panels unattached
- No bottom rail

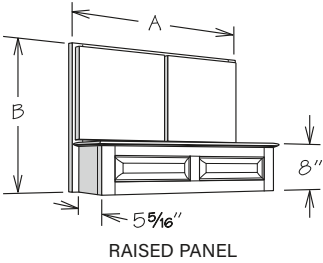
| |
|-------|
| APC |
| FE |
| ID |
| MI ■ |
| VDO ■ |

| 12" DEEP | A | B | 15" DEEP | A | B |
|------------|-----|-----|------------|-----|-----|
| AGD2418 ■ | 12" | 24" | AGD2718 ■ | 15" | 27" |
| AGD2418 SD | 12" | 24" | AGD2718 SD | 15" | 27" |

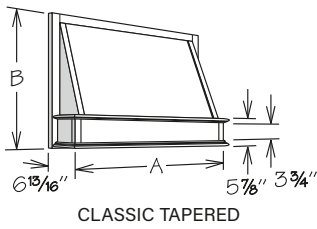
Wall Range Hood



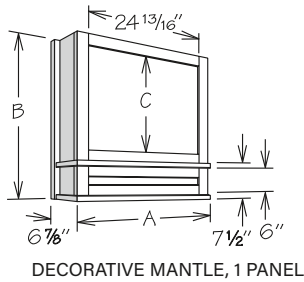
STRAIGHT VALANCE



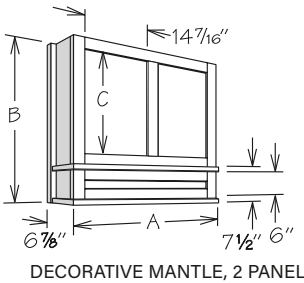
RAISED PANEL



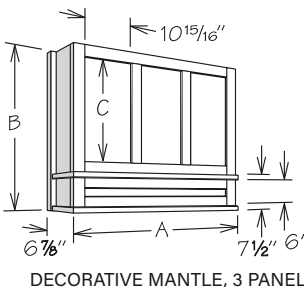
CLASSIC TAPERED



DECORATIVE MANTLE, 1 PANEL



DECORATIVE MANTLE, 2 PANEL

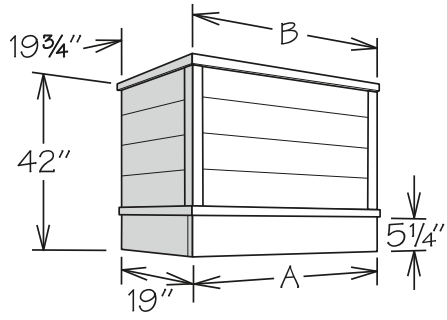


DECORATIVE MANTLE, 3 PANEL

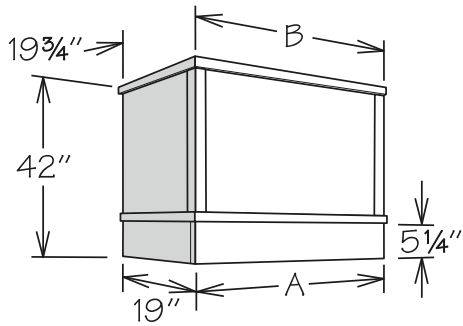
- Must be installed between two wall cabinets
- Silver metallic liner included
- Order range hood blower separately - not for use with RHVENT 960
- All finished surfaces will match cabinet box exterior - glazed finishes will be glazed
- Straight Valance and Raised Panel Range Hoods feature:
 - » Center stile and functioning BUTT doors allow for duct work installation and wiring
 - » Doors will match door style ordered
 - » For Duraform door styles, only the doors will be wrapped

| | A | B | C | DOORS |
|------------------------------------|-----|-----|----------|-----------------|
| Straight Valance | | | | |
| WRH3024 SV | 30" | 24" | - | (2) DR1515 BUTT |
| WRH3624 SV | 36" | 24" | - | (2) DR1815 BUTT |
| WRH3027 SV | 30" | 27" | - | (2) DR1518 BUTT |
| WRH3627 SV | 36" | 27" | - | (2) DR1818 BUTT |
| WRH3030 SV | 30" | 30" | - | (2) DR1521 BUTT |
| WRH3630 SV | 36" | 30" | - | (2) DR1821 BUTT |
| Raised Panel | | | | |
| WRH3024 RP | 30" | 24" | - | (2) DR1515 BUTT |
| WRH3624 RP | 36" | 24" | - | (2) DR1815 BUTT |
| WRH3027 RP | 30" | 27" | - | (2) DR1518 BUTT |
| WRH3627 RP | 36" | 27" | - | (2) DR1818 BUTT |
| WRH3030 RP | 30" | 30" | - | (2) DR1521 BUTT |
| WRH3630 RP | 36" | 30" | - | (2) DR1821 BUTT |
| Classic Tapered | | | | |
| WRH3024 CT | 30" | 24" | - | - |
| WRH3624 CT | 36" | 24" | - | - |
| Decorative Mantle - 1 Panel | | | | |
| WRH3024 DM | 30" | 24" | 12 5/16" | - |
| WRH3030 DM | 30" | 30" | 18 5/16" | - |
| WRH3036 DM | 30" | 36" | 24 5/16" | - |
| Decorative Mantle - 2 Panel | | | | |
| WRH3624 DM | 36" | 24" | 12 5/16" | - |
| WRH3630 DM | 36" | 30" | 18 5/16" | - |
| WRH3636 DM | 36" | 36" | 24 5/16" | - |
| Decorative Mantle - 3 Panel | | | | |
| WRH4236 DM | 42" | 36" | 24 5/16" | - |

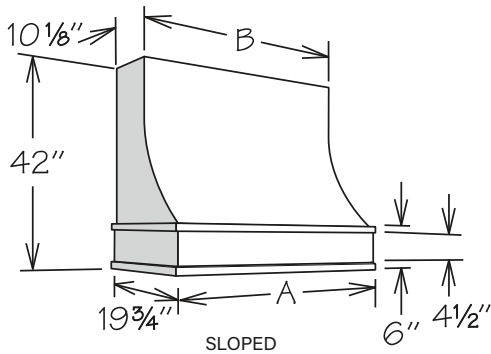
Range Hood • Integrated Chimney



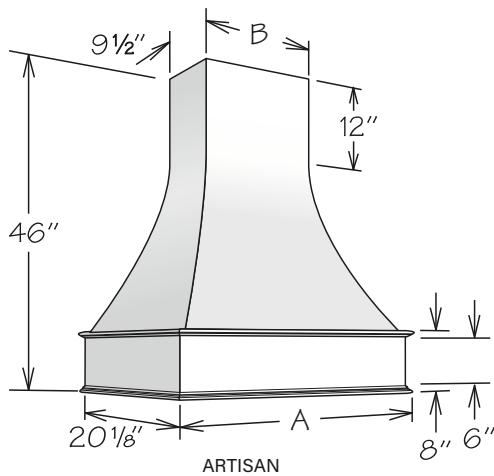
SHIPLAP BOX



MODERN BOX



SLOPED

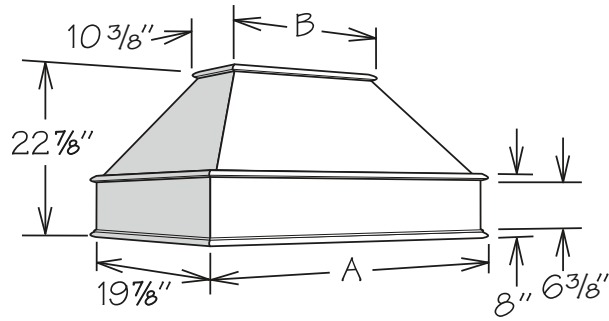


ARTISAN

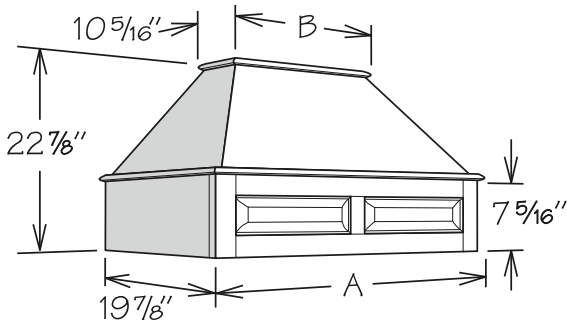
- All door styles are finished to match cabinet box exterior - glazed finishes will be glazed
- Wall mounted installation only
- Silver metallic liner included - liner specific to range hood and blower ordered
 - » If no blower ordered, RHLNER_S will be included
- Order range hood blower separately
- Not recommended for use with Recirculating Blowers (RHVENT 260R & RHVENT 400R)
- Field trimmable in height to 24"
- RH_SB and RH_MB include field installed corner molding and removable top molding
- Features a french cleat install system which requires 1" gap between hood and ceiling - molding recommended to cover the gap

| | A | B |
|--------------------|----------|---------|
| Shiplap Box | | |
| RH3642 SB | 36" | 37 1/2" |
| RH4242 SB | 42" | 43 1/2" |
| RH4842 SB | 48" | 49 1/2" |
| Modern Box | | |
| RH3642 MB | 36" | 37 1/2" |
| RH4242 MB | 42" | 43 1/2" |
| RH4842 MB | 48" | 49 1/2" |
| Sloped | | |
| RH3642 SL | 37 9/16" | 34 1/2" |
| RH4242 SL | 43 9/16" | 40 1/2" |
| Artisan | | |
| RH3646 A | 38 5/16" | 17" |
| RH4246 A | 44 5/16" | 23" |

Range Hood



STRAIGHT VALANCE

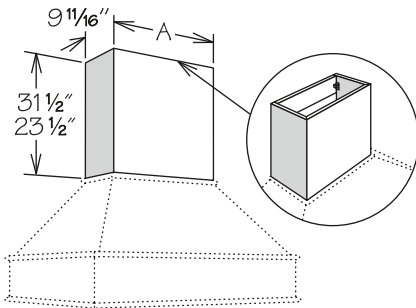


RAISED PANEL

- All door styles are finished to match cabinet box exterior - glazed finishes will be glazed
- Wall mounted installation only
- Order range hood blower separately
- Silver metallic liner included - liner is specific to range hood and blower ordered
 - » If no blower is ordered, RHLINER_S will be included
- May be accessorized with Range Hood Chimney - order separately

| | A | B |
|-------------------------|---------|---------|
| Straight Valance | | |
| RH3624 SV | 37 3/4" | 18 3/4" |
| RH4224 SV | 43 3/4" | 24 3/4" |
| RH4824 SV | 49 3/4" | 30 3/4" |
| Raised Panel | | |
| RH3624 RP | 37 3/4" | 18 3/4" |
| RH4224 RP | 43 3/4" | 24 3/4" |
| RH4824 RP | 49 3/4" | 30 3/4" |

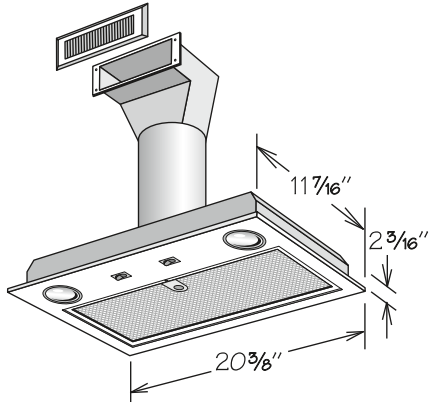
Range Hood Chimney



- Field trimmable in height
- All door styles feature 3/4" solid wood finished to match cabinet box exterior
- Features two chimney mounting blocks with metal fasteners
- For use with Straight Valance or Raised Panel Range Hoods

| 23 1/2" HIGH | 31 1/2" HIGH | A |
|--------------|--------------|---------|
| RHC3623 | RHC3631 | 17 3/8" |
| RHC4223 | RHC4231 | 23 3/8" |
| RHC4823 | RHC4831 | 29 3/8" |

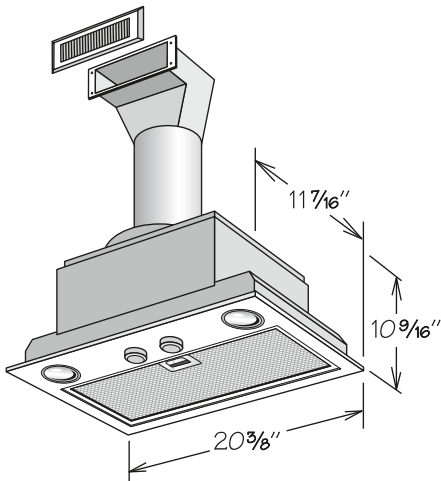
Range Hood Blower ■ 260 CFM Recirculating



- Designed for recirculating installation where exhaust is vented back into kitchen
- Recommended for use in spaces with soffit or bulkheads
- Not recommended for use with Integrated Chimney Range Hoods
- Includes duct work, metal grille and clips -- field assembly required
- Stainless steel finish
- 2-speed fan provides 260 CFM on high
- Sound level of 7 sones on high
- Features quick-release dishwasher safe aluminum mesh filter
- Includes two 2.8W bright LED lights
- Metal grille measures 11 1/4" x 5 5/16"
- 10" x 3" cutout required for metal grille
- Installation and care instructions included
- Liner not included

RHVENT 260R

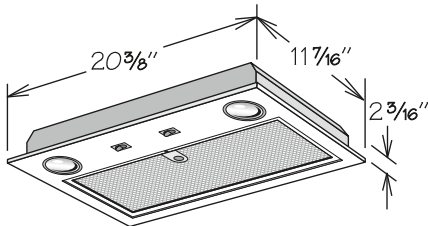
Range Hood Blower ■ 400 CFM Recirculating



- Designed for recirculating installation where exhaust is vented back into kitchen
- Recommended for use in spaces with soffit or bulkheads
- Not recommended for use with Integrated Chimney Range Hoods
- Includes duct work, metal grille and clips -- field assembly required
- Stainless steel finish
- Energy Star rated
- Features 3-speed rotary switch
- Fan provides 400 CFM on high
- Sound level of 6 sones on high
- Features quick-release dishwasher safe aluminum mesh filter
- Includes two 2.8W bright LED lights
- Unit has master on-off switch and heat sentry will automatically turn unit on when excessive heat is detected
- Metal grille measures 11 1/4" x 5 5/16"
- 10" x 3" cutout required for metal grille
- Installation and care instructions included
- Liner not included

RHVENT 400R

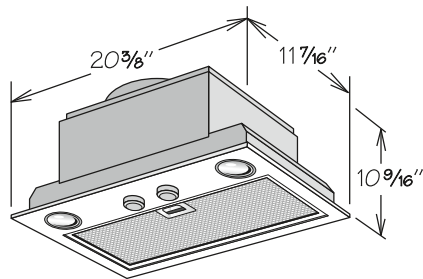
Range Hood Blower ■ 260 CFM Vented



- Designed for vented installation where exhaust is vented to exterior of home
- Stainless steel finish
- Requires 7" round duct for venting to exterior (not included)
- 2-speed fan provides 260 CFM on high
- Sound level of 7 sones on high
- Features quick-release dishwasher safe aluminum mesh filter
- Includes two 2.8W bright LED lights
- Installation and care instructions included
- Liner not included

RHVENT 260

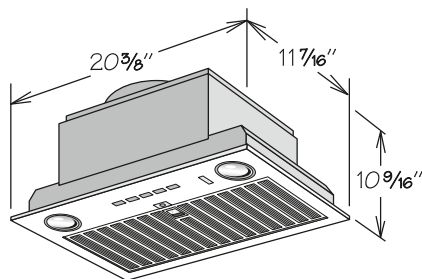
Range Hood Blower ▪ 400 CFM Vented



- Designed for vented installation where exhaust is vented to exterior of home
- Stainless steel finish
- Energy Star rated
- Features 3-speed rotary switch
- Fan provides 400 CFM on high with rectangular duct and 390 CFM on high with round duct
- Requires 6" vertical round or rectangular 3 1/4" x 10" duct for venting to exterior (not included)
- Sound level of 6 sones on high
- Features quick-release dishwasher safe aluminum mesh filter
- Includes two 2.8W bright LED lights
- Unit has master on-off switch and heat sentry will automatically turn unit on when excessive heat is detected
- Installation and care instructions included
- Liner not included

RHVENT 400

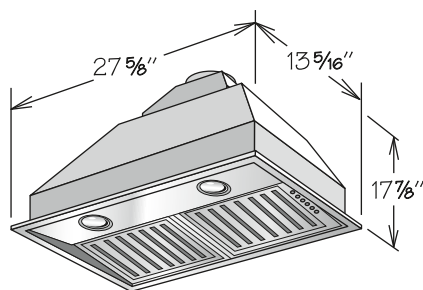
Range Hood Blower ▪ 600 CFM Vented



- Designed for vented installation where exhaust is vented to exterior of home
- Stainless steel finish
- Features 4-speed back-lit Electronic Soft Touch controls
- Requires 8" round, 6" round or 3 1/4" x 10" venting to exterior (not included)
- Fan provides 600 CFM on high with round duct or 580 CFM on high with rectangular duct
- Sound level of 9.5 sones on high
- Features quick-release dishwasher safe baffle-style filter with clean filter reminder
- Includes two 3W bright LED lights with 3 lighting levels
- Unit has master on-off switch and heat sentry will automatically turn unit on when excessive heat is detected
- Auto-Sensing option sets CFM to correct level automatically
- Wifi enabled option allows for voice control
- Installation and care instructions included
- Liner not included

RHVENT 600

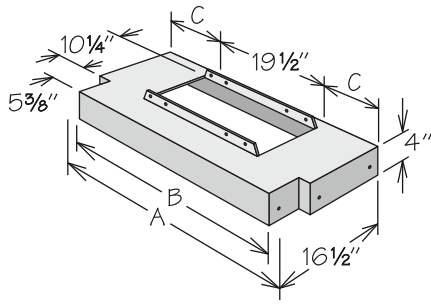
Range Hood Blower ▪ 960 CFM Vented



- Designed for vented installation where exhaust is vented to exterior of home
- Durable stainless steel with brushed finish
- Requires 7" round duct for venting to exterior (not included)
- Features a 4-speed push-button control to offer greater CFM flexibility; 960 CFM, 660 CFM, 480 CFM and 300 CFM
- Centrifugal blower provides 960 CFM air delivery and sound level of 5.1 sones on high
- Features quick-release dishwasher safe baffle-style filter
- Includes two 4-watt 12v MR16 LED bulbs - daylight
- 10 minute delay off timer
- Installation and care instructions included
- Not designed for use with the following:
 - » Straight Valance Wall Range Hoods
 - » Raised Panel Wall Range Hoods
 - » Classic Tapered Wall Range Hoods
 - » Decorative Mantle Wall Range Hoods
- Liner not included

RHVENT 960

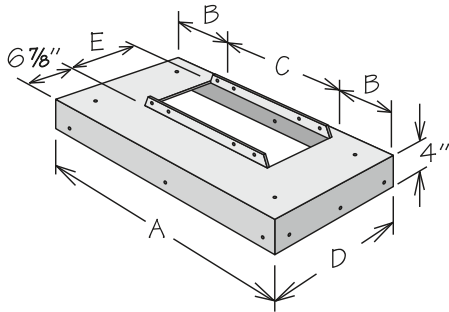
Tapered Hood Liner



- Liner is silver metallic powder coated metal
- For use with the following Wall Range Hoods:
 - » Straight Valance (WRH__SV)
 - » Raised Panel (WRH__RP)
 - » Classic Tapered (WRH__CT)
 - » Decorative Mantle (WRH__DM)
- One liner included with range hood

| | A | B | C |
|------------|------------------------------------|-----------------------------------|-----------------------------------|
| RHLINER 30 | 29 ¹⁵ / ₁₆ " | 26 ³ / ₁₆ " | 5 ⁷ / ₃₂ " |
| RHLINER 36 | 35 ¹⁵ / ₁₆ " | 32 ³ / ₁₆ " | 8 ⁷ / ₃₂ " |
| RHLINER 42 | 41 ¹⁵ / ₁₆ " | 38 ¹ / ₁₆ " | 11 ⁷ / ₃₂ " |

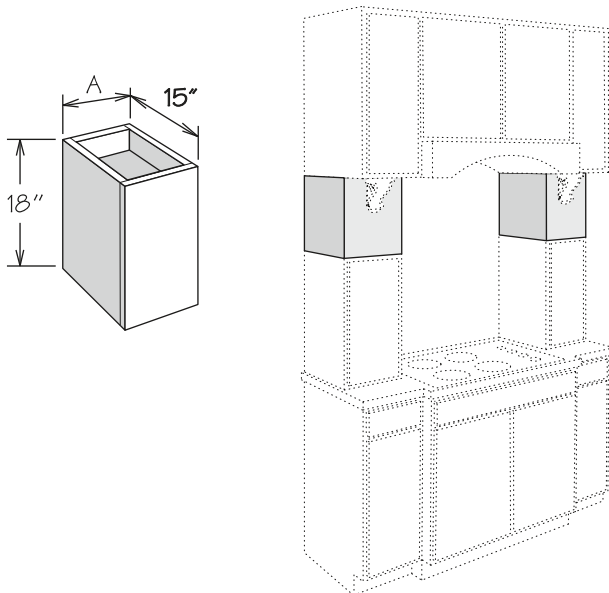
Straight Valance Hood Liner



- Liner finish is silver metallic powder-coated material
- For use with the following Range Hoods:
 - » Straight Valance (RH__SV)
 - » Raised Panel (RH__RP)
 - » Modern Box (RH__MB)
 - » Shiplap Box (RH__SB)
 - » Sloped (RH__SL)
 - » Artisan (RH__A)
- RHLINER_S SL1 must be used with RHVENT 960 blower
- RHLINER_S for use with all blowers except RHVENT 960
- One liner included with range hood (liner is specific to range hood and blower ordered)

| | A | B | C | D | E |
|-----------------|-----------------------------------|-----------------------------------|------------------------------------|-----------------------------------|-----------------------------------|
| RHLINER 36S | 34 ¹ / ₃₂ " | 7 ⁷ / ₁₆ " | 19 ¹ / ₂ " | 18 ¹ / ₄ " | 10 ¹ / ₄ " |
| RHLINER 42S | 40 ¹ / ₃₂ " | 10 ⁷ / ₁₆ " | 19 ¹ / ₂ " | 18 ¹ / ₄ " | 10 ¹ / ₄ " |
| RHLINER 48S | 46 ¹ / ₃₂ " | 13 ⁷ / ₁₆ " | 19 ¹ / ₂ " | 18 ¹ / ₄ " | 10 ¹ / ₄ " |
| RHLINER 36S SL1 | 34 ¹ / ₃₂ " | 3 ³ / ₄ " | 26 ¹³ / ₁₆ " | 18 ³ / ₁₆ " | 12 ⁷ / ₁₆ " |
| RHLINER 42S SL1 | 40 ¹ / ₃₂ " | 6 ³ / ₄ " | 26 ¹³ / ₁₆ " | 18 ³ / ₁₆ " | 12 ⁷ / ₁₆ " |
| RHLINER 48S SL1 | 46 ¹ / ₃₂ " | 9 ³ / ₄ " | 26 ¹³ / ₁₆ " | 18 ³ / ₁₆ " | 12 ⁷ / ₁₆ " |

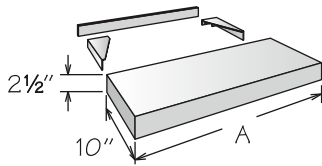
Plain Box Filler



- Veneered engineered wood
- Features 1/4" reveal
- Trimmable in height to 14 1/8" tall
- Reversible for left or right installation

| 15" DEEP | A |
|-----------|-----|
| WPB91815 | 9" |
| WPB121815 | 12" |

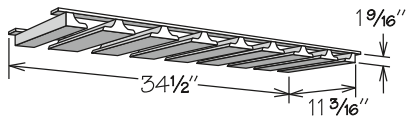
Floating Shelf



- Not trimmable
- Finished on all sides to match cabinet box exterior
- Features veneered engineered wood top and bottom and solid wood front and sides
- When installed between two cabinets, Furniture Ends (FE) is recommended for adjacent cabinets
- Must be secured to studs in wall
- Installation instructions, mounting brackets and screws included

| 10" DEEP | A | MAX. LOAD |
|----------|-----|-----------|
| FLSH2410 | 24" | 30 lbs. |
| FLSH3010 | 30" | 37 lbs. |
| FLSH3610 | 36" | 45 lbs. |
| FLSH4210 | 42" | 52 lbs. |
| FLSH4810 | 48" | 60 lbs. |

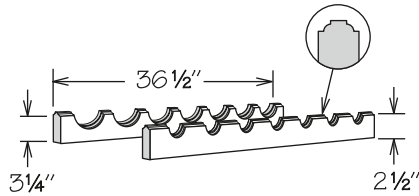
Stem Glass Holder



- Field trimmable to install below 18", 24", 30", or 36" wide wall cabinet
- All door styles feature solid wood finished to match cabinet box exterior
- Maximum stem glass base is 3/2" in diameter
- Not sized to fit modified depth cabinets

SGH36U

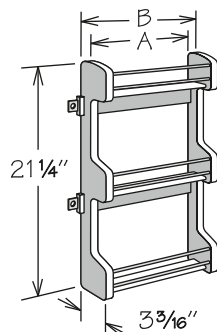
Wine Rack



- Accommodates seven bottles
- Field trimmable to 24" (five bottles) or 30" (six bottles)
- All door styles feature solid wood finished to match cabinet box exterior

WR36

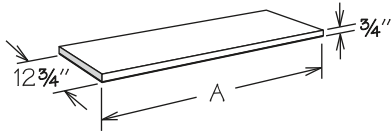
Spice Rack Kit



- Field installation accessory
- For wall cabinets 30" or higher
- Position cabinet adjustable shelves prior to installation
- Natural finish solid wood with chrome rails
- Three fixed shelves
- SRK15 mounts to 15" wide door
- SRK18 mounts to 18" wide door
- SRK21 mounts to 21" wide door

| | A | B |
|-------|---------|---------|
| SRK15 | 9 1/2" | 10 1/2" |
| SRK18 | 12 1/2" | 13 1/2" |
| SRK21 | 15 1/2" | 16 1/2" |

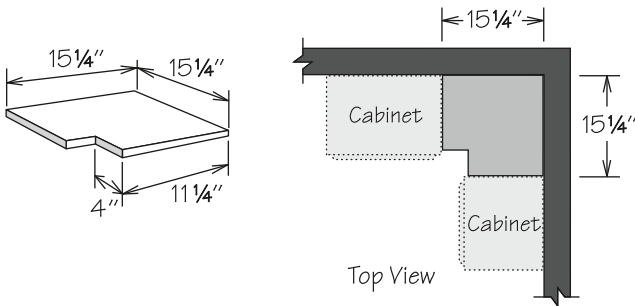
Finished Shelf



- Standard finished shelves feature veneered engineered wood, edge banded on all sides with top and bottom finished to match cabinet box exterior
- Textured finished shelves feature engineered wood, edge banded on all sides with top and bottom textured-wrapped to match cabinet door – available for Breeze and Drift finishes only
- Field trimmable

| STANDARD | TEXTURED | A |
|----------|-----------|---------|
| FS4812 | FS4812 DT | 48 1/4" |
| FS6012 | FS6012 DT | 60 1/4" |
| FS7212 | FS7212 DT | 72 1/4" |

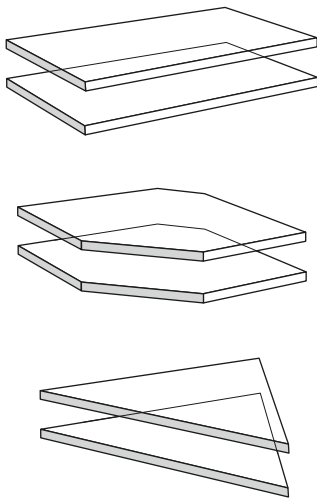
Blind Corner Closure



- Features 1/2" engineered wood finished with natural woodgrain finish both sides
- Field trimmable

BLC1515

Glass Shelf Kit



- Glass Shelf Kit includes two 1/4" high-strength tempered glass shelves
- Can be used with existing shelf rests or order SHELF REST MFD PK separately
- Refer to individual SKU box for number of shelves required and/or available
- GSK12 – GSK36 is 10 1/4" deep
- GSK12-15 – GSK36-15 is 13 1/4" deep
- Tempered glass cannot be field trimmed
- Glass Shelf Kits 12" - 24" wide have a 15 lb. per square foot load rating
- Glass Shelf Kits 27" - 36" wide have a 5 lb. per square foot load rating

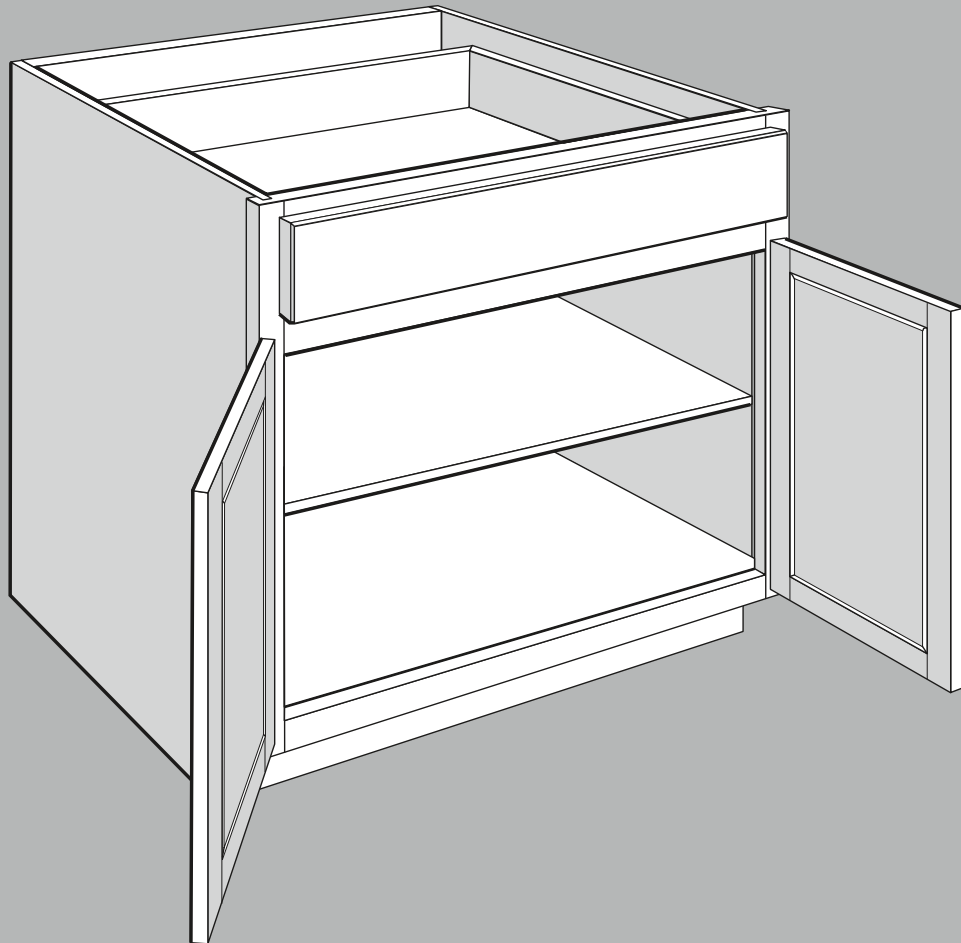
12" DEEP

GSK12
GSK15
GSK18
GSK21
GSK24
GSK27
GSK30
GSK33
GSK36
GSKCW24
GSKWEA12

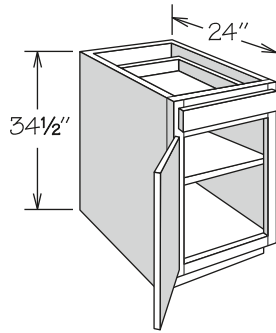
15" DEEP

GSK12-15
GSK15-15
GSK18-15
GSK21-15
GSK24-15
GSK27-15
GSK30-15
GSK33-15
GSK36-15
GSKCW27

Base Cabinets



Base Cabinet • 1 Door and 1 Drawer



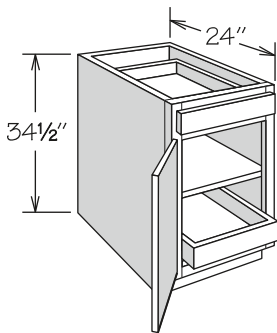
- Full-depth adjustable shelf
- Hinged left and can be reversed in the field

| |
|-----|
| AH |
| APC |
| CFO |
| FE |
| IF |
| PE |
| RD |
| RTK |

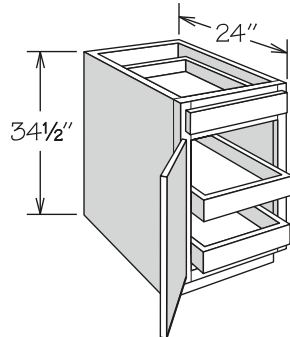
1 SHELF

- B12
- B15
- B18
- B21
- B24

Base Cabinet • 1 Door, 1 Drawer and Deep Roll Out Trays



1 ROLL OUT TRAY



2 ROLL OUT TRAYS

- Full-depth adjustable shelf in center position where applicable
- Deep Roll Out Trays are not adjustable
- Hinged left and can be reversed in the field

| |
|-----|
| AH |
| APC |
| FE |
| PE |
| RD |
| RTK |
| VTD |

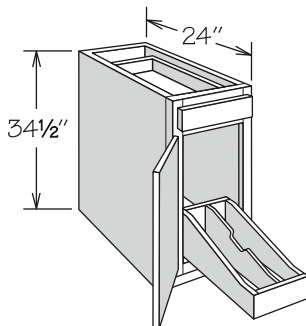
1 ROLL OUT TRAY

- B12 FWT
- B15 FWT
- B18 FWT
- B21 FWT
- B24 FWT

2 ROLL OUT TRAYS

- B12 2FWT
- B15 2FWT
- B18 2FWT
- B21 2FWT
- B24 2FWT

Base Cabinet • 1 Door, 1 Drawer and Roll-Out Tray Divider



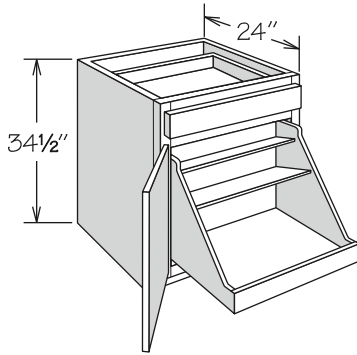
- Roll-Out Tray Divider in natural finish solid wood and wood veneer and dovetail (front only) construction with engineered wood bottom
- B12 ROTD features two compartments (one partition)
- B15 ROTD features three compartments (two partitions)
- Partitions are field installed
- No shelf
- Hinged left and can be reversed in the field

| |
|-----|
| AH |
| APC |
| FE |
| PE |
| RTK |

ROLL-OUT TRAY DIVIDER

- B12 ROTD
- B15 ROTD

Base Cabinet • 1 Door, 1 Drawer and Pot & Pan Organizer



- Organizer features natural finish solid wood, wood veneer and dovetail (front only) construction with engineered wood bottom
- Top shelf of organizer measures 6 3/16" deep
- Middle shelf of organizer measures 9 3/4" deep
- Hinged left and can be reversed in the field

| |
|-----|
| AH |
| APC |
| FE |
| IF |
| PE |
| RTK |
| VTD |

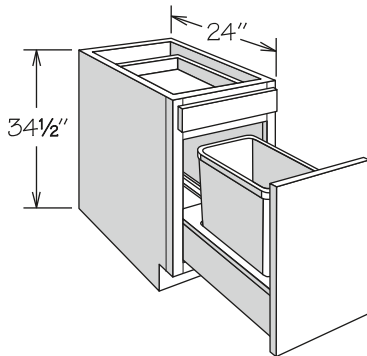
BASE POT & PAN ORGANIZER

B24 BPPO

Base Cabinet • 1 Drawer and Door with Wastebasket Pull-Out

NEW!

UPDATE



1 WASTEBASKET

- **UPDATE:** Drawer and Pull-Out now features CushionClose standard (XCDW no longer available)
- Wastebasket rests in a natural finish wood frame
- Wastebasket pull-out features heavy-duty, 100-pound CushionClose glides
- BWBB15 features one silver plastic 35-quart capacity bin
- BWBB15-2 features two silver plastic 27-quart capacity bins
- BWBB18-2 and BWBB21-2 feature two silver plastic 35-quart capacity bins
- Decorative hardware strongly recommended

| |
|-----|
| AH |
| APC |
| FE |
| IF |
| PE |
| RTK |

1 WASTEBASKET

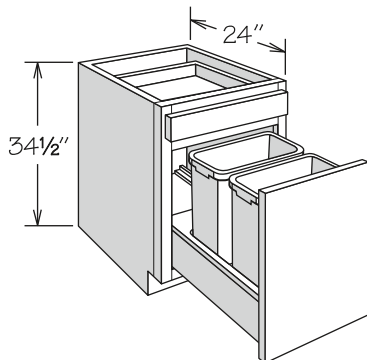
BWBB15

2 WASTEBASKETS

BWBB15-2

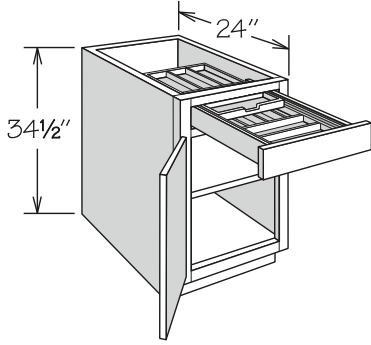
BWBB18-2

BWBB21-2

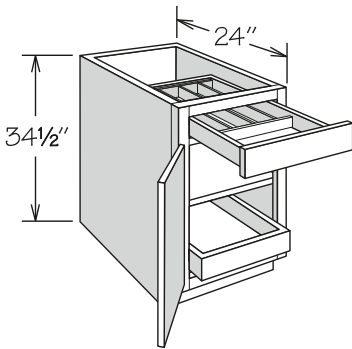


2 WASTEBASKETS

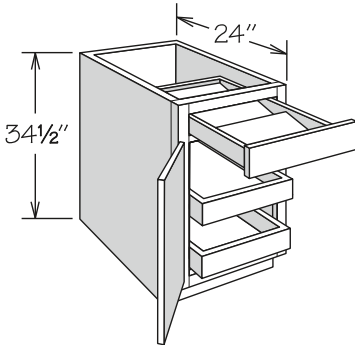
Base Cabinet • Drawer Accessories • 1 Door



1 SHELF
18" Wood Tiered Cutlery Divider Shown



1 ROLL OUT TRAY
18" Cutlery Divider Shown



2 ROLL OUT TRAYS
18" Spice Drawer Insert Shown

- Cutlery Divider features solid hardwood and plywood in natural finish
- Spice Drawer Insert features solid hardwood and plywood in natural finish and accommodates most spice containers (not included)
- Wood Tiered Cutlery Divider features:
 - » Solid hardwood and plywood in natural finish
 - » Upper section slides independently from drawer
- Refer to specifications on individual cabinets and accessories for more details

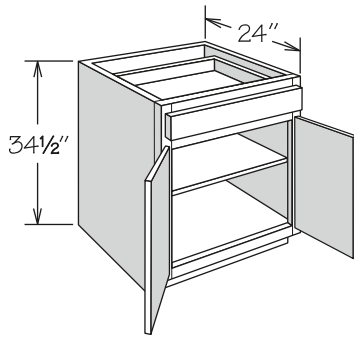
| |
|-----|
| APC |
| FE |
| PE |
| RTK |

| WOOD TIERED CUTLERY DIVIDER | UPPER SECTION | LOWER SECTION |
|-----------------------------|---------------|---------------|
| 15" | 5 | 5 |
| 18" | 5 | 6 |
| 21" | 6 | 7 |
| 24" | 7 | 7 |

| CUTLERY DIVIDER | SECTIONS |
|-----------------|----------|
| 15" | 4 |
| 18" | 5 |
| 21" | 6 |
| 24" | 6 |

| 1 SHELF | 1 ROLL OUT TRAY | 2 ROLL OUT TRAYS |
|------------------------------------|------------------------------------|------------------------------------|
| Wood Tiered Cutlery Divider | Wood Tiered Cutlery Divider | Wood Tiered Cutlery Divider |
| B15 WTCD | B15 FWT WTCD | B15 2FWT WTCD |
| B18 WTCD | B18 FWT WTCD | B18 2FWT WTCD |
| B21 WTCD | B21 FWT WTCD | B21 2FWT WTCD |
| B24 WTCD | B24 FWT WTCD | B24 2FWT WTCD |
| Cutlery Divider | Cutlery Divider | Cutlery Divider |
| B15 CD | B15 FWT CD | B15 2FWT CD |
| B18 CD | B18 FWT CD | B18 2FWT CD |
| B21 CD | B21 FWT CD | B21 2FWT CD |
| B24 CD | B24 FWT CD | B24 2FWT CD |
| Spice Drawer Insert | Spice Drawer Insert | Spice Drawer Insert |
| B15 SDI | B15 FWT SDI | B15 2FWT SDI |
| B18 SDI | B18 FWT SDI | B18 2FWT SDI |
| B21 SDI | B21 FWT SDI | B21 2FWT SDI |
| B24 SDI | B24 FWT SDI | B24 2FWT SDI |

Base Cabinet • 2 Butt Doors and 1 Drawer



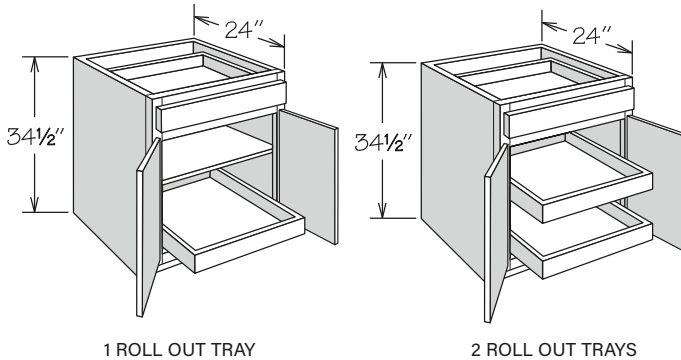
- Full-depth adjustable shelf

| |
|-----|
| AH |
| APC |
| CFO |
| FE |
| PE |
| RD |
| RTK |

1 SHELF

B24 BUTT
B27 BUTT
B30 BUTT
B33 BUTT
B36 1TD BUTT

Base Cabinet • 2 Butt Doors, 1 Drawer and Deep Roll Out Trays



1 ROLL OUT TRAY

2 ROLL OUT TRAYS

- Full-depth adjustable shelf
- Center support for shelf provided for cabinets 27" or wider
- Deep Roll Out Trays are not adjustable

| |
|-----|
| AH |
| APC |
| FE |
| PE |
| RD |
| RTK |
| VTD |

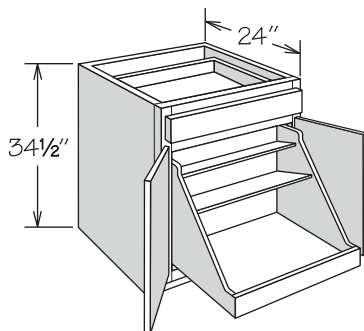
1 ROLL OUT TRAY

B24 FWT BUTT
B27 FWT BUTT
B30 FWT BUTT
B33 FWT BUTT
B36 1TD FWT BUTT

2 ROLL OUT TRAYS

B24 2FWT BUTT
B27 2FWT BUTT
B30 2FWT BUTT
B33 2FWT BUTT
B36 1TD 2FWT BUTT

Base Cabinet • 2 Butt Doors, 1 Drawer and Pot & Pan Organizer



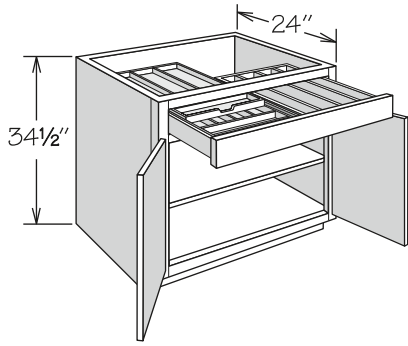
- Organizer features natural finish solid wood, wood veneer and dovetail (front only) construction with engineered wood bottom
- Top shelf of organizer measures 6³/₁₆" deep
- Middle shelf of organizer measures 9³/₄" deep

| |
|-----|
| AH |
| APC |
| FE |
| IF |
| PE |
| RTK |
| VTD |

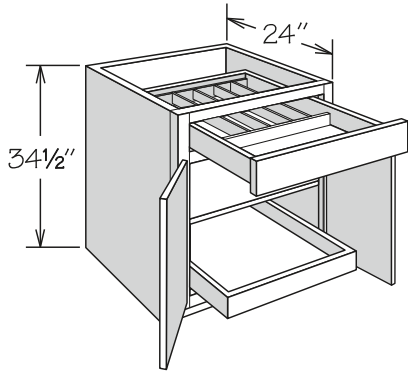
BASE POT & PAN ORGANIZER

B24 BUTT BPPO
B27 BUTT BPPO
B30 BUTT BPPO
B33 BUTT BPPO
B36 1TD BUTT BPPO

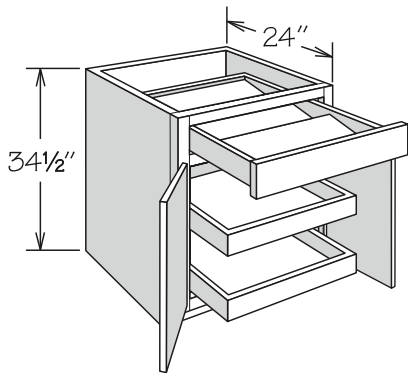
Base Cabinet ▪ Drawer Accessories ▪ 2 Doors



1 SHELF
30" Wood Tiered Cutlery Divider Shown



1 ROLL OUT TRAY
24" Cutlery Divider Shown



2 ROLL OUT TRAYS
24" Spice Drawer Insert Shown

- Cutlery Divider features solid hardwood and plywood in natural finish
- Spice Drawer Insert features solid hardwood and plywood in natural finish and accommodates most spice containers (not included)
- Wood Tiered Cutlery Divider features:
 - » Solid hardwood and plywood in natural finish
 - » Upper section slides independently from drawer
 - » Additional cooking utensil section on 30" or wider
- Refer to specifications on individual cabinets and accessories for more details

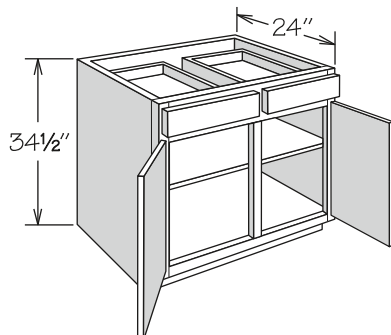
| |
|-----|
| APC |
| FE |
| PE |
| RTK |

| WOOD TIERED CUTLERY DIVIDER | UPPER SECTIONS | LOWER SECTIONS | COOKING UTENSIL SECTIONS |
|-----------------------------|----------------|----------------|--------------------------|
| 24" | 7 | 7 | - |
| 30" | 5 | 5 | 4 |
| 36" | 5 | 5 | 5 |

| CUTLERY DIVIDER | SECTIONS |
|-----------------|----------|
| 24" | 6 |
| 30" | 7 |
| 36" | 8 |

| 1 SHELF | 1 ROLL OUT TRAY | 2 ROLL OUT TRAYS |
|------------------------------------|------------------------------------|------------------------------------|
| Wood Tiered Cutlery Divider | Wood Tiered Cutlery Divider | Wood Tiered Cutlery Divider |
| B24 BUTT WTCD | B24 FWT BUTT WTCD | B24 2FWT BUTT WTCD |
| B30 BUTT WTCD | B30 FWT BUTT WTCD | B30 2FWT BUTT WTCD |
| B36 1TD BUTT WTCD | B36 1TD FWT BUTT WTCD | B36 1TD 2FWT BUTT WTCD |
| Cutlery Divider | Cutlery Divider | Cutlery Divider |
| B24 BUTT CD | B24 FWT BUTT CD | B24 2FWT BUTT CD |
| B30 BUTT CD | B30 FWT BUTT CD | B30 2FWT BUTT CD |
| B36 1TD BUTT CD | B36 1TD FWT BUTT CD | B36 1TD 2FWT BUTT CD |
| Spice Drawer Insert | Spice Drawer Insert | Spice Drawer Insert |
| B24 BUTT SDI | B24 FWT BUTT SDI | B24 2FWT BUTT SDI |

Base Cabinet ▪ 2 Doors and 2 Drawers

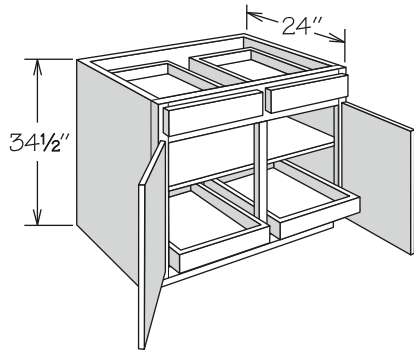


- Full-depth adjustable shelf
- Center support for shelf provided

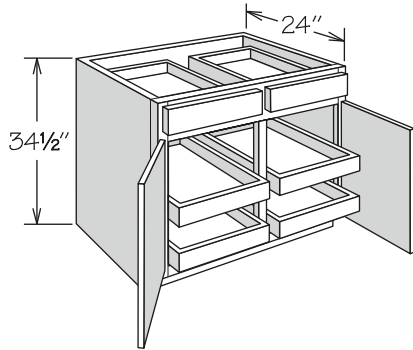
| |
|-----|
| AH |
| APC |
| CFO |
| FE |
| IF |
| PE |
| RD |
| RTK |

| 1 SHELF |
|---------|
| B39 |
| B42 |
| B48 |

Base Cabinet - 2 Doors, 2 Drawers and Deep Roll Out Trays



2 ROLL OUT TRAYS



4 ROLL OUT TRAYS

- Full-depth adjustable shelf in center position where applicable
- Center support for shelf provided
- Deep Roll Out Trays are not adjustable

| |
|-----|
| AH |
| APC |
| FE |
| PE |
| RD |
| RTK |
| VTD |

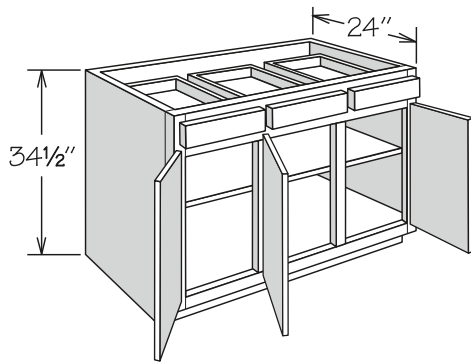
2 ROLL OUT TRAYS

B39 2T
B42 2T
B48 2T

4 ROLL OUT TRAYS

B39 4T
B42 4T
B48 4T

Base Cabinet - 3 Doors and 3 Drawers



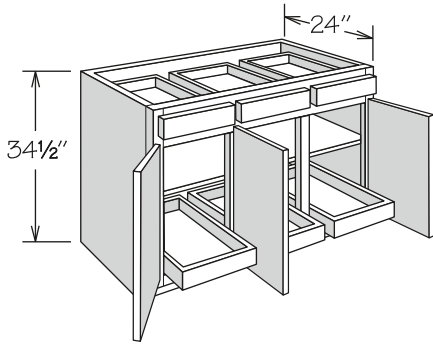
- Full-depth adjustable shelf
- Center support for shelf provided
- Hinged as shown - can be reversed in the field

| |
|-----|
| AH |
| APC |
| CFO |
| FE |
| PE |
| IF |
| RD |
| RTK |

1 SHELF

B45

Base Cabinet • 3 Doors, 3 Drawers and Deep Roll Out Trays



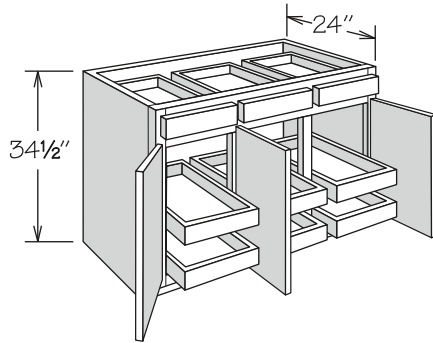
3 ROLL OUT TRAYS

- Full-depth adjustable shelf in center position where applicable
- Center support for shelf provided
- Deep Roll Out Trays are not adjustable
- Hinged as shown - can be reversed in the field

| |
|-----|
| AH |
| APC |
| FE |
| PE |
| RD |
| RTK |
| VTD |

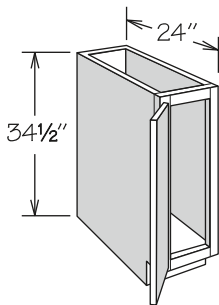
3 ROLL OUT TRAYS
B45 3T

6 ROLL OUT TRAYS
B45 6T

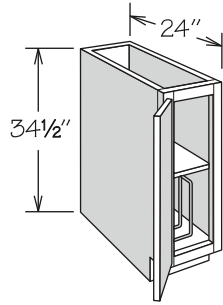


6 ROLL OUT TRAYS

Full-Height Base Cabinet • 1 Door



NO SHELF



1 SHELF & TRAY DIVIDER

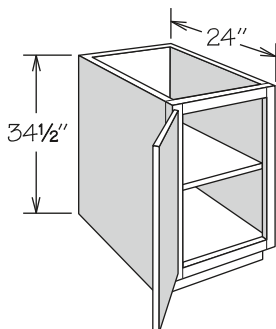
- Full-height door
- Recessed Toe Kick Option available left (RTKL) or right (RTKR) only
- TB9 TDS is only available with RD-23 though RD-14
- TB9 TDS features full-depth adjustable shelf (S924) and Tray Divider (TD3) packaged separately for field installation
- Hinged left and can be reversed in the field

| |
|-------|
| AH |
| APC |
| CFO ■ |
| FE |
| PE |
| RD |
| RTK |

NO SHELF
TB9 ■

1 SHELF & TRAY DIVIDER
TB9 TDS

Full-Height Base Cabinet • 1 Door

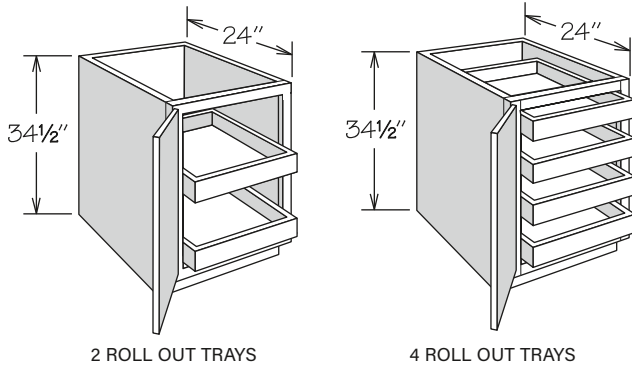


- Full-depth adjustable shelf
- Full-height door
- Hinged left and can be reversed in the field

| |
|-----|
| AH |
| APC |
| CFO |
| FE |
| PE |
| RD |
| RTK |

1 SHELF
B12 FH
B15 FH
B18 FH
B21 FH
B24 FH

Full-Height Base Cabinet ▪ 1 Door and Deep Roll Out Trays



- Full-height door
- Deep Roll Out Trays are not adjustable
- Distance between two roll out trays is 10^{13/16}"
- Distance between four roll out trays is 4^{7/16}"
- Hinged left and can be reversed in the field

| |
|-----|
| AH |
| APC |
| FE |
| PE |
| RD |
| RTK |

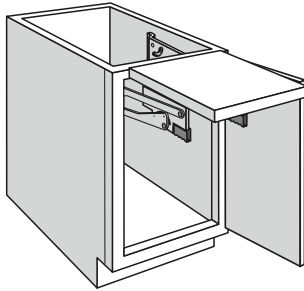
2 ROLL OUT TRAYS

B12 FH 2FWT
B15 FH 2FWT
B18 FH 2FWT
B21 FH 2FWT
B24 FH 2FWT

4 ROLL OUT TRAYS

B12 FH 4FWT
B15 FH 4FWT
B18 FH 4FWT
B21 FH 4FWT
B24 FH 4FWT

Full-Height Base Cabinet ▪ 1 Door and Base Mixer Lift



- Full-height door
- Features Furniture Ends standard
- Includes 1 3/8" thick natural finish solid wood shelf and one pair of shock dampening, adjustable tension lifts
- Supports up to 60 pounds
- Cannot be used with Deep Roll Out Tray or adjustable shelf
- Kit packaged separately for field installation

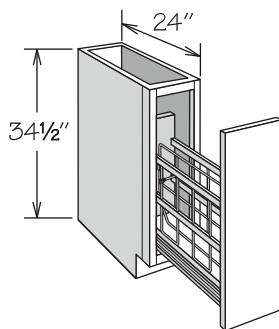
| |
|-----|
| AH |
| APC |
| RTK |

BASE MIXER LIFT

B18 FH MLK

Full-Height Base Cabinet ▪ 1 Door with Tray Divider Pull-Out

NEW! **UPDATE**



- **UPDATE:** Now features CushionClose standard (XCDW no longer available)
- Full-height door
- Features CushionClose glides
- Tray divider is adjustable to accommodate various storage solutions
- Decorative hardware strongly recommended
- Recessed Toe Kick Option available left (RTKL) or right (RTKR) only

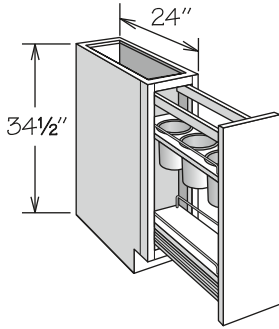
| |
|-----|
| AH |
| APC |
| FE |
| PE |
| RTK |

TRAY DIVIDER PULL-OUT

BTDP9

Full-Height Base Cabinet • 1 Door with Utensil Storage Pull-Out

NEW! **UPDATE**



- **UPDATE:** Now features CushionClose standard (XCDW no longer available)
- Full-height door
- Features CushionClose glides
- One fixed bottom and one adjustable lower shelf in a natural finish with chrome rails
- One fixed upper shelf in a natural finish with chrome rails and three stainless steel removable storage bins
- Stainless steel bins measure 5 1/4" wide x 6 7/8" deep
- Decorative hardware strongly recommended
- BPPUS9 not available with Recessed Toe Kick Both Option (RTKB)

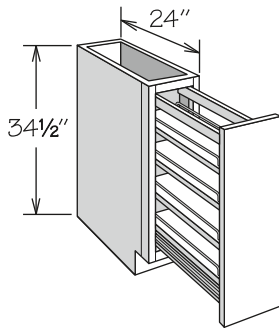
| |
|-----|
| AH |
| APC |
| FE |
| PE |
| RTK |

UTENSIL STORAGE PULL-OUT

BPPUS9
BPPUS12

Full-Height Base Cabinet • 1 Door with Base Pantry Pull-Out

NEW! **UPDATE**



- **UPDATE:** Now features CushionClose standard (XCDW no longer available)
- Full-height door
- Features CushionClose glides
- One fixed and three adjustable shelves with chrome rails
- Decorative hardware strongly recommended
- BPP9 not available with Recessed Toe Kick Both Option (RTKB)

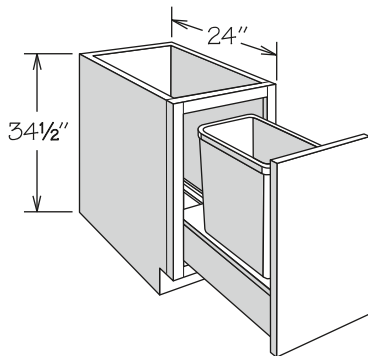
| |
|-----|
| AH |
| APC |
| FE |
| PE |
| RTK |

BASE PANTRY PULL-OUT

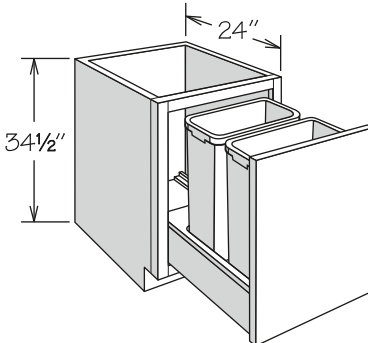
BPP9
BPP12

Full-Height Base Cabinet • 1 Door with Wastebasket Pull-Out

NEW! **UPDATE**



1 WASTEBASKET



2 WASTEBASKETS

- **UPDATE:** Now features CushionClose standard (XCDW no longer available)
- Full-height door
- Wastebasket rests in a natural finish wood frame
- Wastebasket pull-out features heavy-duty, 100-pound rated CushionClose glides
- BWBB15 FH and BWBB18 FH feature one silver plastic 50-quart capacity bin
- BWBB21-2 FH features two silver plastic 50-quart capacity bins
- Decorative hardware strongly recommended

| |
|-----|
| AH |
| APC |
| FE |
| PE |
| RTK |

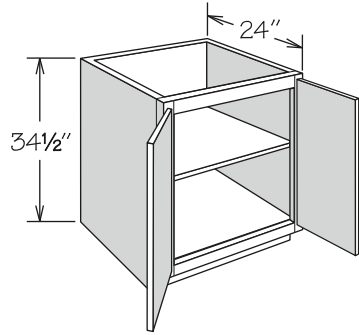
1 WASTEBASKET

BWBB15 FH
BWBB18 FH

2 WASTEBASKETS

BWBB21-2 FH

Full-Height Base Cabinet • 2 Butt Doors



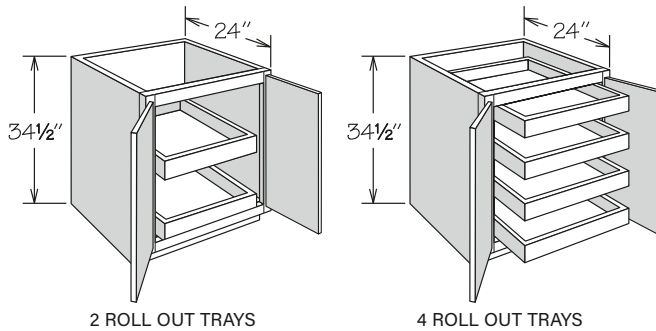
- Full-depth adjustable shelf
- Full-height doors

| |
|-----|
| AH |
| APC |
| CFO |
| FE |
| PE |
| RD |
| RTK |

1 SHELF

B24 BUTT FH
B27 BUTT FH
B30 BUTT FH
B33 BUTT FH
B36 BUTT FH

Full-Height Base Cabinet • 2 Butt Doors and Deep Roll Out Trays



- Full-height doors
- Deep Roll Out Trays are not adjustable
- Distance between two roll out trays is 10 13/16"
- Distance between four roll out trays is 4 7/16"

| |
|-----|
| AH |
| APC |
| FE |
| PE |
| RD |
| RTK |

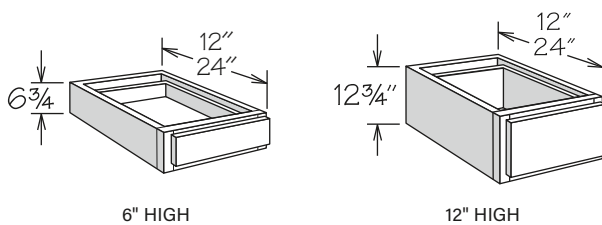
2 ROLL OUT TRAYS

B24 BUTT FH 2FWT
B27 BUTT FH 2FWT
B30 BUTT FH 2FWT
B33 BUTT FH 2FWT
B36 BUTT FH 2FWT

4 ROLL OUT TRAYS

B24 BUTT FH 4FWT
B27 BUTT FH 4FWT
B30 BUTT FH 4FWT
B33 BUTT FH 4FWT
B36 BUTT FH 4FWT

Furniture Drawer Cabinet • 1 Drawer



- 6" high features one standard drawer and 12" high features one large drawer
- 24" deep Furniture Drawer cabinets are only available with RD-23 through RD-13
- Bottom of cabinet frame must be fully supported

| |
|------|
| APC |
| CFO |
| FE |
| PE |
| RD ■ |

6" HIGH • 1 DRAWER

12" Deep

FD121206
FD151206
FD181206
FD211206
FD241206
FD271206
FD301206
FD331206
FD361206

24" Deep

FD122406 ■
FD152406 ■
FD182406 ■
FD212406 ■
FD242406 ■
FD272406 ■
FD302406 ■
FD332406 ■
FD362406 ■

12" HIGH • 1 DRAWER

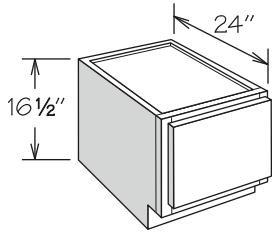
12" Deep

FD121212
FD151212
FD181212
FD211212
FD241212
FD271212
FD301212
FD331212
FD361212

24" Deep

FD122412 ■
FD152412 ■
FD182412 ■
FD212412 ■
FD242412 ■
FD272412 ■
FD302412 ■
FD332412 ■
FD362412 ■

Pedestal Drawer Cabinet • 1 Drawer



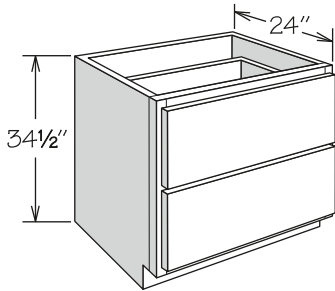
- One large drawer
- Features solid top

| |
|-----|
| APC |
| CFO |
| FE |
| PE |
| RD |
| RTK |

1 DRAWER

- PD1217 1DWR
- PD1517 1DWR
- PD1817 1DWR
- PD2117 1DWR
- PD2417 1DWR
- PD2717 1DWR
- PD3017 1DWR
- PD3317 1DWR
- PD3617 1DWR

Drawer Base Cabinet • 2 Drawers



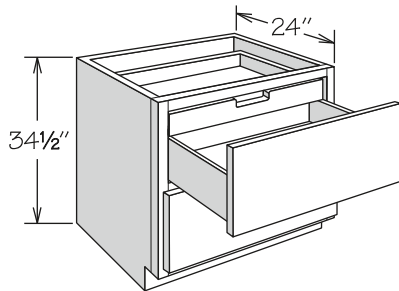
- Two large drawers with extra large drawer fronts
- Drawer body measures 6¹⁵/₁₆" high
- Drawers feature Full-Extension CushionClose heavy-duty 132 pound rated glides
- Only available with RD-23 through RD-21

| |
|-----|
| AH |
| APC |
| CFO |
| FE |
| PE |
| RD |
| RTK |

2 DRAWERS

- DB21 2DWR
- DB24 2DWR
- DB27 2DWR
- DB30 2DWR
- DB33 2DWR
- DB36 2DWR

Drawer Base Cabinet • 2 Drawers and Scalloped Roll Out Tray



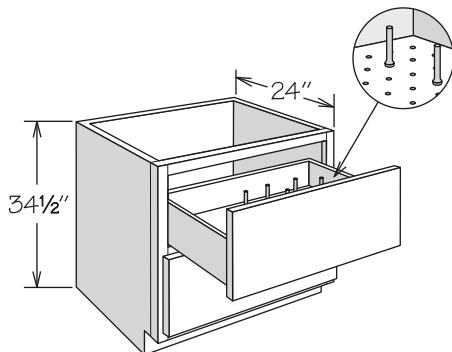
- Two large drawers with extra large drawer fronts
- Drawer body measures 6¹⁵/₁₆" high
- Drawers feature Full-Extension CushionClose heavy-duty 132 pound rated glides
- Scalloped Deep Roll Out Tray with full-access soft-close glides in top opening
- Only available with RD-23 through RD-21

| |
|-----|
| AH |
| APC |
| FE |
| PE |
| RD |
| RTK |

2 DRAWERS

- DB21 2DWR SFWT
- DB24 2DWR SFWT
- DB27 2DWR SFWT
- DB30 2DWR SFWT
- DB33 2DWR SFWT
- DB36 2DWR SFWT

Drawer Base Cabinet • 2 Drawers and Peg Dish Organizer



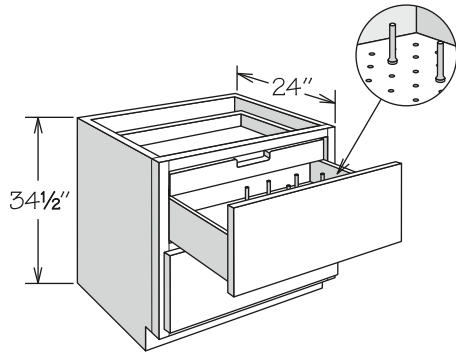
- Two large drawers with extra large drawer fronts
- Drawer body measures 6¹⁵/₁₆" high
- Drawers feature Full-Extension CushionClose heavy-duty 132 pound rated glides
- One Peg Dish Organizer Kit (organizer and adjustable pegs) in natural finish, packaged separately for field installation
- Additional pegs (PEG KIT 4 PK) and Peg Dish Organizer Kits (PDO_) can be ordered separately

| |
|-----|
| AH |
| APC |
| FE |
| PE |
| RTK |

2 DRAWERS

| | PEG COUNT |
|---------------|-----------|
| DB21 2DWR PDO | 8 |
| DB24 2DWR PDO | 12 |
| DB27 2DWR PDO | 12 |
| DB30 2DWR PDO | 12 |
| DB33 2DWR PDO | 12 |
| DB36 2DWR PDO | 12 |

Drawer Base Cabinet • 2 Drawers, Scalloped Roll Out Tray and Peg Dish Organizer

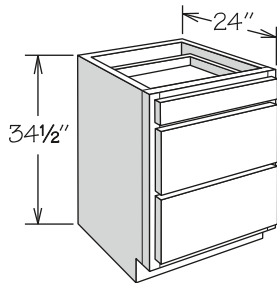


- Two large drawers with extra large drawer fronts
- Drawer body measures 6¹⁵/₁₆" high
- Drawers feature Full-Extension CushionClose heavy-duty 132 pound rated glides
- Scalloped Deep Roll Out Tray with full-access soft-close Glides in top opening
- One Peg Dish Organizer Kit (organizer and adjustable pegs) in natural finish, packaged separately for field installation
- Additional pegs (PEG KIT 4 PK) and Peg Dish Organizer Kits (PDO_) can be ordered separately

| |
|-----|
| AH |
| APC |
| FE |
| PE |
| RTK |

| 2 DRAWERS | PEG COUNT |
|--------------------|-----------|
| DB21 2DWR SFWT PDO | 8 |
| DB24 2DWR SFWT PDO | 12 |
| DB27 2DWR SFWT PDO | 12 |
| DB30 2DWR SFWT PDO | 12 |
| DB33 2DWR SFWT PDO | 12 |
| DB36 2DWR SFWT PDO | 12 |

Drawer Base Cabinet • 3 Drawers

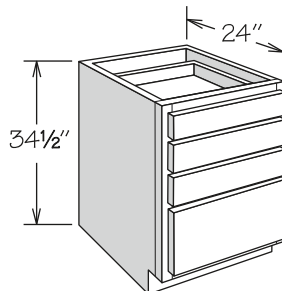


- One standard and two large drawers

| |
|-----|
| AH |
| APC |
| CFO |
| FE |
| PE |
| RD |
| RTK |
| VTD |

| 3 DRAWERS |
|-----------|
| DB12 |
| DB15 |
| DB18 |
| DB21 |
| DB24 |
| DB27 |
| DB30 |
| DB33 |
| DB36 1TD |

Drawer Base Cabinet • 4 Drawers

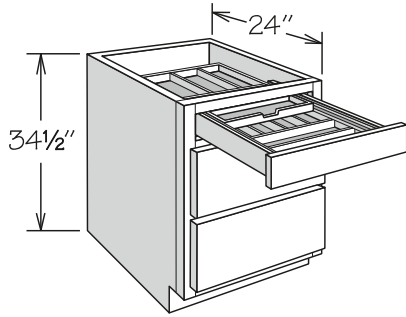


- One large and three standard drawers

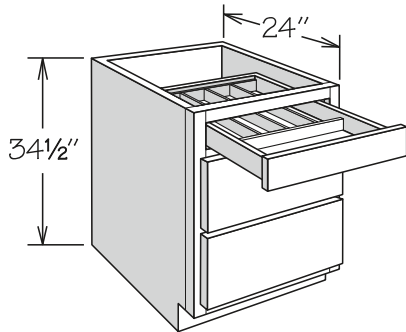
| |
|-----|
| AH |
| APC |
| CFO |
| FE |
| PE |
| RD |
| RTK |
| VTD |

| 4 DRAWERS |
|-----------|
| DB12 4DWR |
| DB15 4DWR |
| DB18 4DWR |
| DB21 4DWR |
| DB24 4DWR |

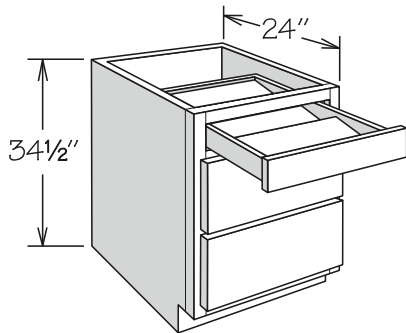
Drawer Base Cabinet • Drawer Accessories



3 DRAWER
18" Wood Tiered Cutlery Divider Shown



3 DRAWER
18" Cutlery Divider Shown



3 DRAWER
18" Spice Drawer Insert Shown

- Cutlery Divider features solid hardwood and plywood in natural finish
- Spice Drawer Insert features solid hardwood and plywood in natural finish and accommodates most spice containers (not included)
- Wood Tiered Cutlery Divider features:
 - » Solid hardwood and plywood in natural finish
 - » Upper section slides independently from drawer
 - » Additional cooking utensil section on 30" or wider
- Refer to specifications on individual cabinets and accessories for more details

| |
|-----|
| APC |
| FE |
| PE |
| RTK |

| WOOD TIERED CUTLERY DIVIDER | UPPER SECTIONS | LOWER SECTIONS | COOKING UTENSIL SECTIONS |
|-----------------------------|----------------|----------------|--------------------------|
| 15" | 5 | 5 | - |
| 18" | 5 | 6 | - |
| 21" | 6 | 7 | - |
| 24" | 7 | 7 | - |
| 30" | 5 | 5 | 4 |
| 36" | 5 | 5 | 5 |

| CUTLERY DIVIDER | SECTIONS |
|-----------------|----------|
| 15" | 4 |
| 18" | 5 |
| 21" | 6 |
| 24" | 6 |
| 30" | 7 |
| 36" | 8 |

3 DRAWER

Wood Tiered Cutlery Divider

- DB15 WTCD
- DB18 WTCD
- DB21 WTCD
- DB24 WTCD
- DB30 WTCD
- DB36 1TD WTCD

Cutlery Divider

- DB15 CD
- DB18 CD
- DB21 CD
- DB24 CD
- DB30 CD
- DB36 1TD CD

Spice Drawer Insert

- DB15 SDI
- DB18 SDI
- DB21 SDI
- DB24 SDI

4 DRAWER

Wood Tiered Cutlery Divider

- DB15 4DWR WTCD
- DB18 4DWR WTCD
- DB21 4DWR WTCD
- DB24 4DWR WTCD

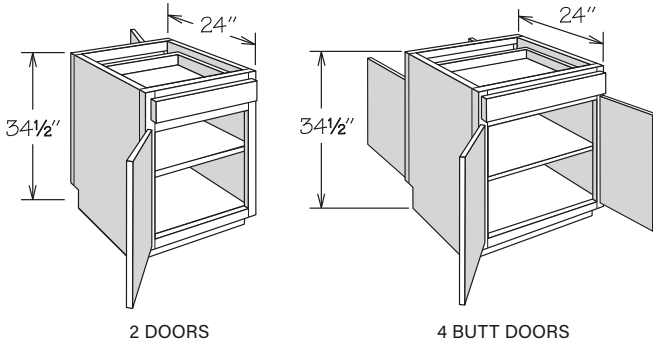
Cutlery Divider

- DB15 4DWR CD
- DB18 4DWR CD
- DB21 4DWR CD
- DB24 4DWR CD

Spice Drawer Insert

- DB15 4DWR SDI
- DB18 4DWR SDI
- DB21 4DWR SDI
- DB24 4DWR SDI

Peninsula Base • 1 Drawer



- Full-depth adjustable shelf
- Drawer accessible on one side only
- Panel on opposite side of drawer
- When selecting the Recessed Toe Kick Option, the drawer side indicates the front of the cabinet
- Single door cabinets are hinged left and can be reversed in the field

| |
|-----|
| APC |
| FE |
| PE |
| RD |
| RTK |
| VTD |

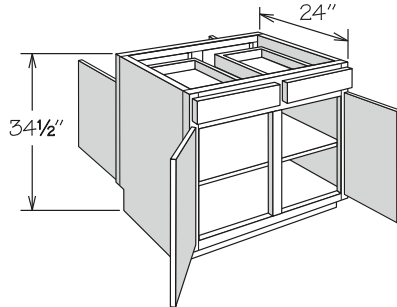
2 DOORS

PB12
PB18
PB24

4 BUTT DOORS

PB24 BUTT
PB30 BUTT
PB36 1TD BUTT

Peninsula Base • 2 Drawers



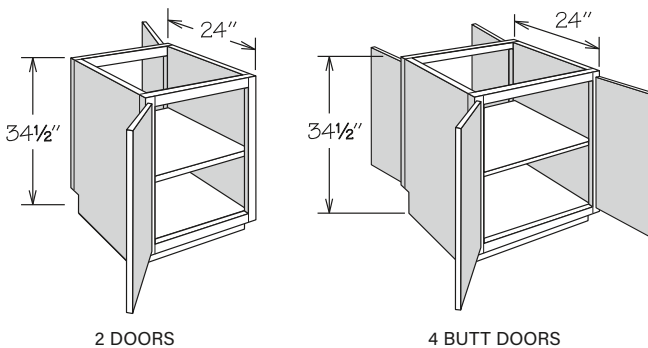
- Full-depth adjustable shelf
- Drawers accessible on one side only
- Features two panels on opposite side of drawers
- When selecting the Recessed Toe Kick Option, the drawer side indicates the front of the cabinet

| |
|-----|
| APC |
| FE |
| PE |
| RD |
| RTK |
| VTD |

4 DOORS

PB42

Full-Height Peninsula Base



- Full-height doors
- Full-depth adjustable shelf
- Single door cabinets are hinged left and can be reversed in the field

| |
|-----|
| APC |
| FE |
| PE |
| RD |
| RTK |

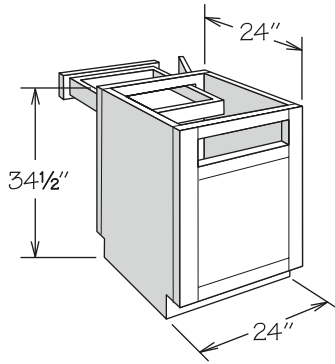
2 DOORS

PB12 FH
PB18 FH

4 BUTT DOORS

PB24 BUTT FH
PB30 BUTT FH
PB36 BUTT FH

Blind Peninsula Corner Base



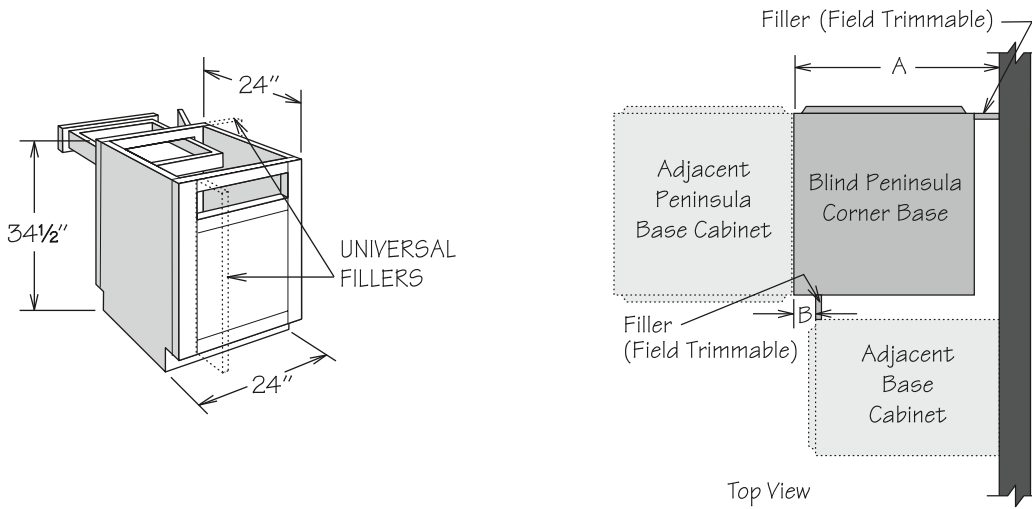
- Full-depth adjustable shelf
- Can be installed left or right
- Universal Fillers are recommended for use between PBC24 and wall and adjoining base cabinet or appliance for hardware clearance and proper door operation
- Cabinet may require pulling from wall - refer to the chart below for specifications
- Roll-out accessories are not recommended
- Must order Universal Fillers separately
- PBC24 is hinged left and can be reversed in the field

| |
|-----|
| APC |
| FE |
| PE |
| RD |

1 DOOR
PBC24

2 DOORS
PBC24 BUTT

Blind Peninsula Corner Base Installation Chart



Full Overlay Door Styles

Full overlay door styles require decorative hardware, which has been calculated into dimensions.
*Must use these dimensions if optional Overlay Fillers will be used.

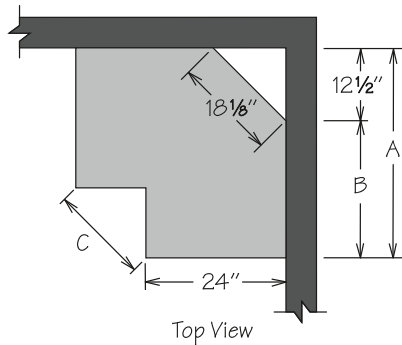
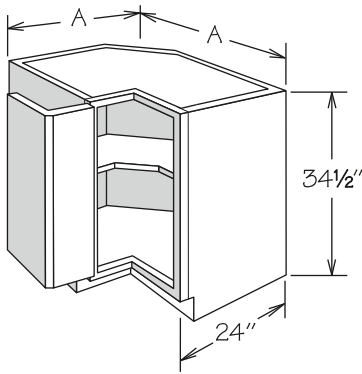
| Cabinet | Actual Cabinet Width | Door Opening | Door(s) | Wall Space A | | | Exposed Frame B | | Filler (at wall) | |
|------------|----------------------|--------------|-----------------|--------------|-----------|-------------|-----------------|-------------|------------------|-------|
| | | | | Min. Space | Max. Pull | Max. Space* | Min. Space | Max. Space* | Min. | Max.* |
| PBC24 | 24" | 20 3/4" | DR2424 | 26 1/4" | 3/4" | 27" | 2 1/4" | 3" | 2 1/4" | 3" |
| PBC24 BUTT | 24" | 20 3/4" | DR1224 BUTT (2) | 26 1/4" | 3/4" | 27" | 2 1/4" | 3" | 2 1/4" | 3" |

Partial Overlay Door Styles

Wall Space A requirements include optional decorative hardware clearance.
1 1/4" may be deducted if decorative hardware is not used.

| Cabinet | Actual Cabinet Width | Door Opening | Door(s) | Wall Space A | | | Exposed Frame B | | Filler (at wall) | |
|------------|----------------------|--------------|-----------------|--------------|-----------|------------|-----------------|------------|------------------|------|
| | | | | Min. Space | Max. Pull | Max. Space | Min. Space | Max. Space | Min. | Max. |
| PBC24 | 24" | 20 3/4" | DR2424 | 25 3/8" | 1 5/8" | 27" | 1 3/8" | 3" | 1 3/8" | 3" |
| PBC24 BUTT | 24" | 20 3/4" | DR1224 BUTT (2) | 25 3/8" | 1 5/8" | 27" | 1 3/8" | 3" | 1 3/8" | 3" |

Base Easy Reach

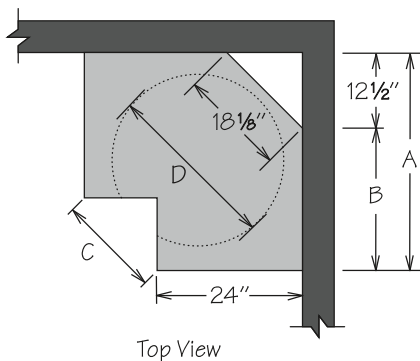
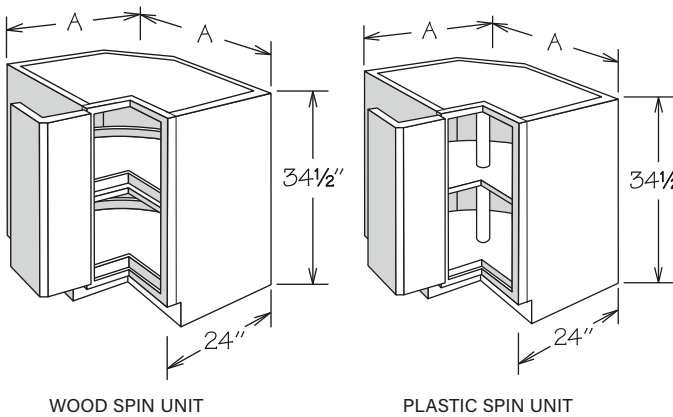


- One adjustable half-depth shelf (non-removable)
- All door styles must be ordered hinged left or right
- BER33 features two solid recessed panel doors for the Savannah door style
- Stile width and outside profile of both doors at door-to-door hinge may vary from standard dimension and profile for proper door function
- Features a solid top
- Sides are finished
- Doors open 170°
- Not available with CushionClose hinge
- Cabinet requires a minimum of 29" to fit through doorway
- Additional space recommended if appliance is installed on the hinge side of this cabinet for proper door operation - decorative hardware should be taken into consideration for the overall depth of appliance

| |
|-----|
| AH |
| APC |
| FE |
| PE |

| SHELF | A | B | C |
|-------|-----|---------|----------|
| BER33 | 33" | 20 1/2" | 10 7/16" |
| BER36 | 36" | 23 1/2" | 14 5/8" |

Base Super Susan • Spin Unit

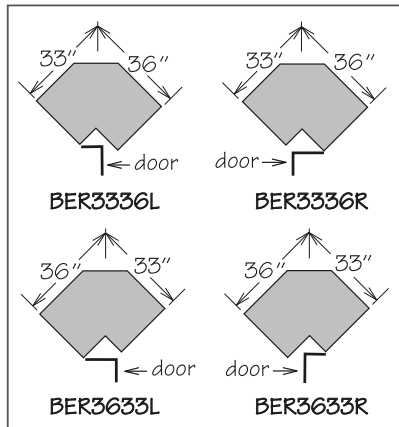
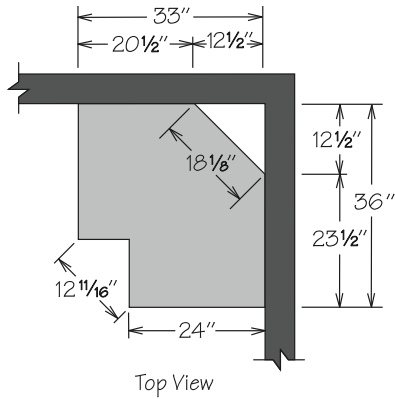


- All door styles must be ordered hinged left or right
- BER33 features two solid recessed panel doors for the Savannah door style
- Stile width and outside profile of both doors at door-to-door hinge may vary from standard dimension and profile for proper door function
- Features a solid top
- Sides are finished
- Doors open 170°
- Not available with CushionClose hinge
- Cabinet requires a minimum of 29" to fit through doorway
- Additional space recommended if appliance is installed on the hinge side of this cabinet for proper door operation - decorative hardware should be taken into consideration for the overall depth of appliance
- Wood Spin Units feature:
 - » One fixed spin unit mounted on cabinet floor
 - » One spin unit attached to 3/4" adjustable shelf
 - » Natural wood finish with 1" lip
- Plastic Spin Units feature:
 - » Two spin shelves with pole (top shelf adjustable)
 - » White high strength plastic shelves

| |
|-----|
| AH |
| APC |
| FE |
| PE |

| WOOD SPIN UNIT | A | B | C | D |
|-------------------|-----|---------|----------|-----|
| BSS33 WD | 33" | 20 1/2" | 10 7/16" | 28" |
| BSS36 WD | 36" | 23 1/2" | 14 5/8" | 32" |
| PLASTIC SPIN UNIT | A | B | C | D |
| BSS33 | 33" | 20 1/2" | 10 7/16" | 28" |
| BSS36 | 36" | 23 1/2" | 14 5/8" | 32" |

Asymmetrical Base Easy Reach



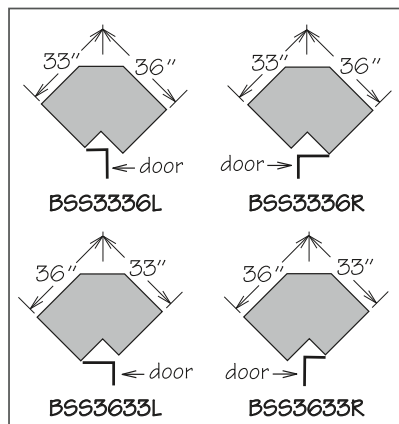
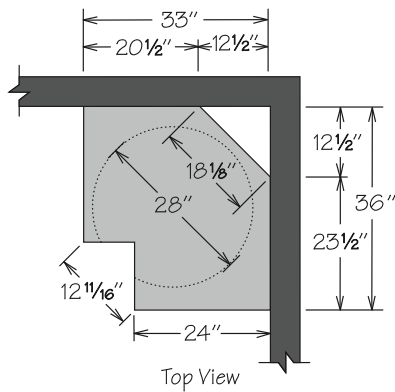
- One adjustable half-depth shelf (non-removable)
- All door styles must be ordered hinged left or right
- Savannah door style features one solid recessed panel door (33" side) and one solid raised panel door (36" side)
- Stile width and outside profile of both doors at door-to-door hinge may vary from standard dimension and profile for proper door function
- Features a solid top
- Sides are finished
- Doors open 170°
- Not available with CushionClose hinge
- Cabinet requires a minimum of 29" to fit through doorway
- Additional space recommended if appliance is installed on the hinge side of this cabinet for proper door operation - decorative hardware should be taken into consideration for the overall depth of appliance

| |
|-----|
| AH |
| APC |
| FE |
| PE |

SHELF

BER3336
BER3633

Asymmetrical Base Super Susan • Spin Unit



- All door styles must be ordered hinged left or right
- Savannah door style features one solid recessed panel door (33" side) and one solid raised panel door (36" side)
- Stile width and outside profile of both doors at door-to-door hinge may vary from standard dimension and profile for proper door function
- Features a solid top
- Sides are finished
- Doors open 170°
- Not available with CushionClose hinge
- Cabinet requires a minimum of 29" to fit through doorway
- Additional space recommended if appliance is installed on the hinge side of this cabinet for proper door operation - decorative hardware should be taken into consideration for the overall depth of appliance
- Wood Spin Units feature:
 - » One fixed spin unit mounted on cabinet floor
 - » One spin unit attached to 3/4" adjustable shelf
 - » Natural wood finish with 1" lip
- Plastic Spin Units feature:
 - » Two spin shelves with pole (top shelf adjustable)
 - » White high strength plastic shelves

| |
|-----|
| AH |
| APC |
| FE |
| PE |

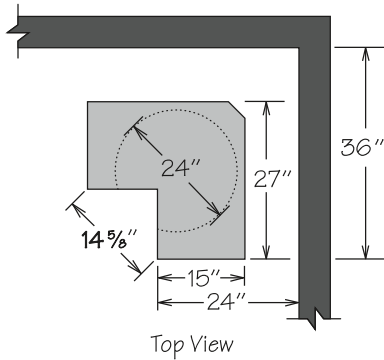
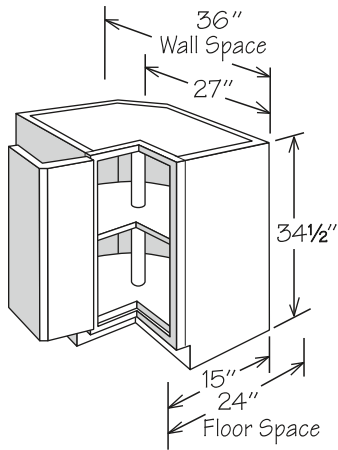
WOOD SPIN UNIT

BSS3336 WD
BSS3633 WD

PLASTIC SPIN UNIT

BSS3336
BSS3633

Corner Base Carousel • Spin Unit



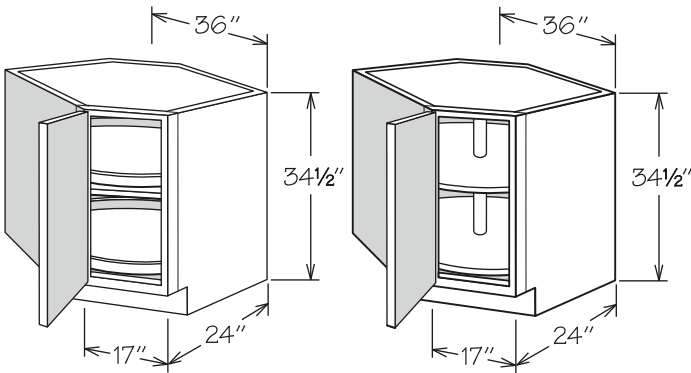
- All door styles must be ordered hinged left or right
- Stile width and outside profile of both doors at door-to-door hinge may vary from standard dimension and profile for proper door function
- Features a solid top
- Sides are unfinished
- Doors open 170°
- Not available with CushionClose hinge
- If unit has an exposed side, order end panel separately
- Additional support for countertop in back is necessary
- Additional space recommended if appliance is installed on the hinge side of this cabinet for proper door operation- decorative hardware should be taken into consideration for the overall depth of appliance
- Unit must be pulled to install in a 36" x 36" space
- Wood Spin Units feature:
 - » Two natural finish solid hardwood spin shelves with pole (top shelf adjustable)
- Plastic Spin Units feature:
 - » Two white high strength plastic spin shelves with pole (top shelf adjustable)

AH

WOOD SPIN UNIT
CAR36 WD

PLASTIC SPIN UNIT
CAR36

Corner Base • Spin Unit



WOOD SPIN UNIT

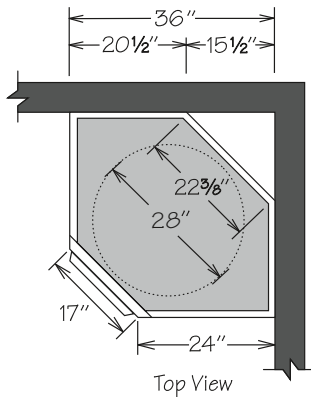
PLASTIC SPIN UNIT

- Hinged left and can be reversed in the field
- Sides are finished
- Cabinet requires a minimum of 34" to fit through doorway
- Additional space recommended if appliance is installed on the hinge side of this cabinet for proper door operation
- Cabinet features solid top
- Wood Spin Units feature:
 - » One fixed spin unit mounted on cabinet floor
 - » One spin unit attached to 3/4" adjustable shelf
 - » Natural wood finish with 1" lip
- Plastic Spin Units feature:
 - » Two spin shelves with pole (top shelf adjustable)
 - » White high strength plastic shelves

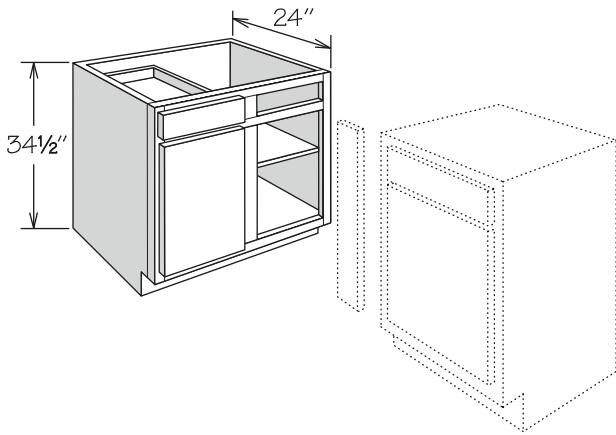
| |
|-----|
| AH |
| APC |
| FE |
| PE |

WOOD SPIN UNIT
CBS36 WD

PLASTIC SPIN UNIT
CBS36



Blind Corner Base



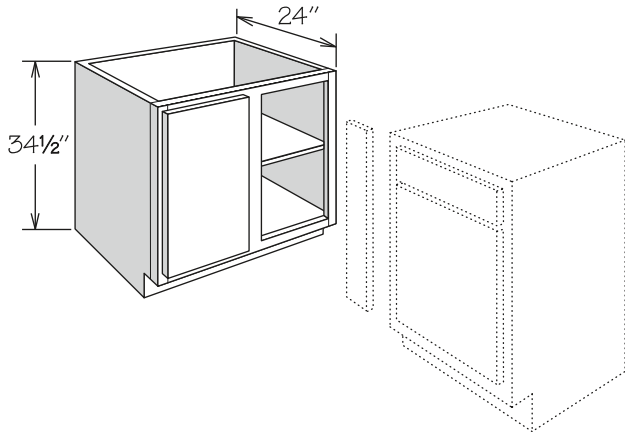
- Full-depth adjustable shelf
- Blind base door and drawer are installed in the left section
- Door and drawer can be reversed in the field as blind sections are identical
- Includes 1/8" panel to cover blind opening (field trim and install)
- Refer to the Blind Corner Base Installation chart on page 94 for specifications
- Recessed Toe Kick Both Option (RTKB) available only
- Must order Universal Filler separately
- Center support for shelf provided (excluding BLB36/39 and BLB39/42)

| |
|-----|
| AH |
| APC |
| CFO |
| FE |
| PE |
| RD |
| RTK |

1 SHELF

BLB36/39
BLB39/42
BLB42/45
BLB45/48
BLB48/51

Full Height Blind Corner Base NEW! SIZES



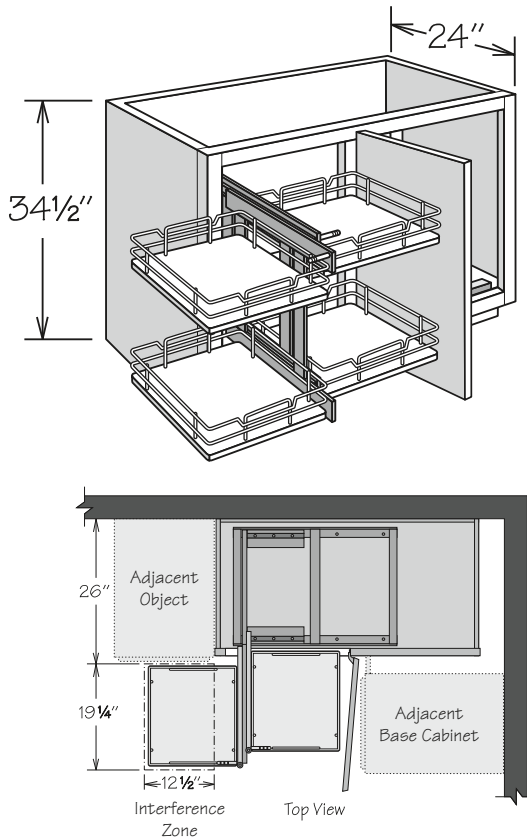
- Full-depth adjustable shelf
- Center support for shelf provided (excluding BLB36/39 FH and BLB39/42 FH)
- Blind base door is installed in the left section
- Door can be reversed in the field as blind sections are identical
- Includes 1/8" panel to cover blind opening (field trim and install)
- Refer to the Blind Corner Base Installation chart on page 94 for specifications
- Recessed Toe Kick Both Option (RTKB) available only
- Must order Universal Filler separately

| |
|-----|
| AH |
| APC |
| CFO |
| FE |
| PE |
| RD |
| RTK |

1 SHELF

BLB36/39 FH
BLB39/42 FH
BLB42/45 FH
BLB45/48 FH
BLB48/51 FH

Blind Corner Base - Pull Out Kit



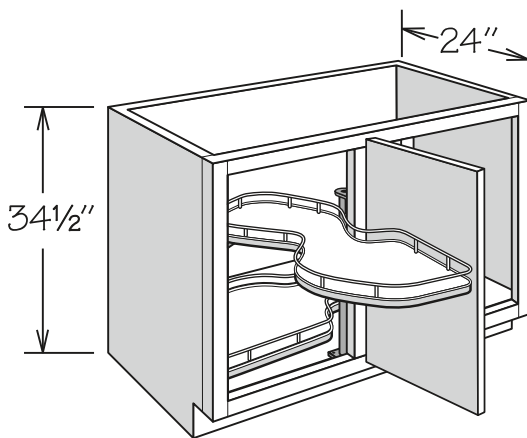
- Full-height door
- Blind base door is installed in the left section
- Door and Pull-Out Kit can be reversed in the field as blind sections are identical
- Includes 1/8" panel to cover blind opening (field trim and install)
- Refer to the Blind Corner Base Installation Chart on page 94 for specifications
- Recessed Toe Kick Both Option (RTKB) available only
- Pull out kit:
 - » Features two-tiered organizer with four chrome finish wire shelves and engineered wood bottoms with woodgrain look
 - » Features full-extension, 100-pound rated glides
 - » Supports up to 27 pounds per front shelf and 34 pounds per back shelf
 - » Packaged separately for field installation
 - » Mounts to cabinet floor
- Unit requires 19 1/4" of clearance in front of cabinet to pull the unit out, and 12 1/2" of side clearance to slide the unit over
- Pull out kit remains fully functional with use of Hinge Restriction Clip (86° angle) on blind base door
- Baskets are able to be repositioned to allow clearance of deeper adjacent objects up to 26"

| |
|-----|
| AH |
| APC |
| FE |
| PE |
| RTK |

PULL OUT KIT

BLB45/48 FH POK
BLB48/51 FH POK

Blind Corner Base - Swing Out Kit



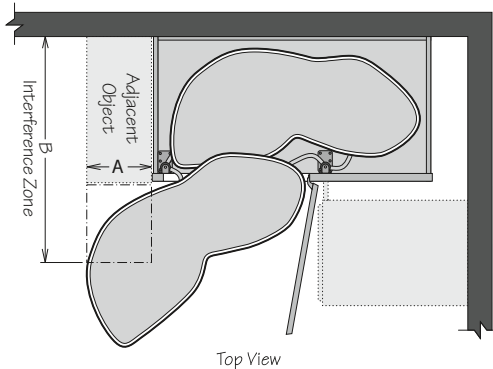
BLB45/48 FH SOKL shown

- Full-height door
- Features Furniture Ends standard
- Blind base door is installed in the left section
- Door can be reversed in the field as blind sections are identical, kit is not reversible and must be ordered as left or right
- Includes 1/8" panel to cover blind opening (field trim and install)
- Refer to the Blind Corner Base Installation Chart on page 94 for specifications
- Recessed Toe Kick Both Option (RTKB) available only
- Swing out kit:
 - » Must be ordered left or right
 - » Features two-tiered organizer with two chrome finish wire shelves and engineered wood bottoms with woodgrain look
- » Swing out kit remains fully functional with use of Hinge Restriction Clip (86° angle) on blind base door
- » Supports up to 55 pounds per shelf
- » Packaged separately for field installation
- » Mounts to cabinet side panel and telescopic pole (included)

| |
|-----|
| AH |
| APC |
| RTK |

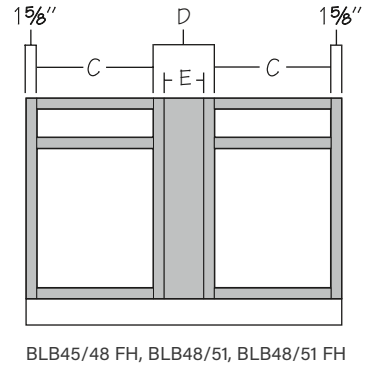
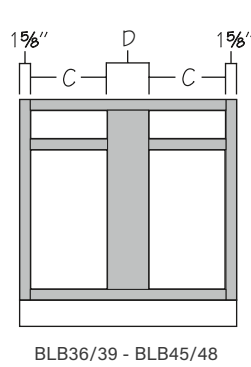
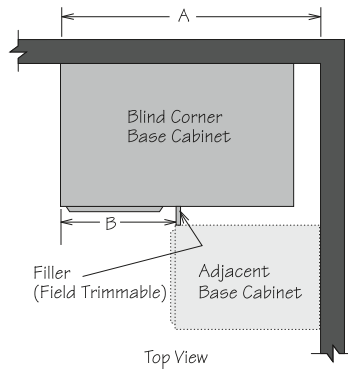
SWING OUT KIT

BLB45/48 FH SOKL
BLB45/48 FH SOKR
BLB48/51 FH SOKL
BLB48/51 FH SOKR



| A (Distance from edge of BLB frame) | 0" | 3" | 6" | 9" | 12" | 13" |
|---|---------|---------|---------|---------|---------|-----------------|
| B (Maximum Depth of Adjacent Object) | 24 7/8" | 25 1/2" | 27 1/2" | 28 5/8" | 32 1/4" | no interference |

Blind Corner Base Installation Chart



Full Overlay Door Styles

Full Overlay door styles require decorative hardware, which has been calculated into dimensions.

*Dimension requirements do not include optional Overlay Fillers - add 7/8" if Overlay Fillers will be used, except for BLB48/51 add 1/2".

| Cabinet | Actual Cabinet Width | Wall Space A | | | Exposed Frame B | | C Door Opening | Door(s) | D | E |
|-------------|----------------------|----------------|--------------|---------------|-----------------|---------------|----------------|---------|--------|----|
| | | Minimum Space* | Maximum Pull | Maximum Space | Minimum Space* | Maximum Space | | | | |
| BLB36/39 | 27" | 38 1/4" | 1 3/4" | 40" | 14 1/4" | 16" | 8 3/4" | DR1224 | 6 1/4" | - |
| BLB36/39 FH | 27" | 38 1/4" | 1 3/4" | 40" | 14 1/4" | 16" | 8 3/4" | DR12FH | 6 1/4" | - |
| BLB39/42 | 33" | 41 1/4" | 1 3/4" | 43" | 17 1/4" | 19" | 11 3/4" | DR1524 | 6 1/4" | - |
| BLB39/42 FH | 33" | 41 1/4" | 1 3/4" | 43" | 17 1/4" | 19" | 11 3/4" | DR15FH | 6 1/4" | - |
| BLB42/45 | 39" | 44 1/4" | 1 3/4" | 46" | 20 1/4" | 22" | 14 3/4" | DR1824 | 6 1/4" | - |
| BLB42/45 FH | 39" | 44 1/4" | 1 3/4" | 46" | 20 1/4" | 22" | 14 3/4" | DR18FH | 6 1/4" | - |
| BLB45/48 | 45" | 47 1/4" | 1 3/4" | 49" | 23 1/4" | 25" | 17 3/4" | DR2124 | 6 1/4" | - |
| BLB45/48 FH | 45" | 47 1/4" | 1 3/4" | 49" | 23 1/4" | 25" | 17 3/4" | DR21FH | 6 1/4" | 3" |
| BLB48/51 | 48" | 48" | 4" | 52" | 24" | 28" | 17 3/4" | DR2124 | 9 1/4" | 6" |
| BLB48/51 FH | 48" | 48" | 4" | 52" | 24" | 28" | 17 3/4" | DR21FH | 9 1/4" | 6" |

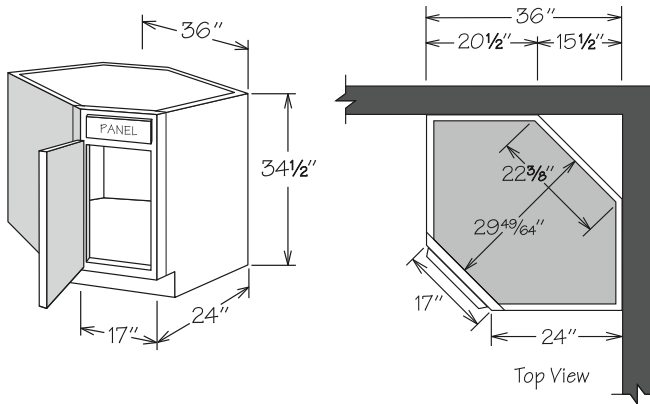
Standard Overlay Door Styles

Wall Space A requirements include optional decorative hardware clearance.

1/4" may be deducted if decorative hardware is not used.

| Cabinet | Actual Cabinet Width | Wall Space A | | | Exposed Frame B | | C Door Opening | Door(s) | D | E |
|-------------|----------------------|---------------|--------------|---------------|-----------------|---------------|----------------|---------|--------|----|
| | | Minimum Space | Maximum Pull | Maximum Space | Minimum Space | Maximum Space | | | | |
| BLB36/39 | 27" | 37 3/8" | 2 5/8" | 40" | 13 3/8" | 16" | 8 3/4" | DR1224 | 6 1/4" | - |
| BLB36/39 FH | 27" | 37 3/8" | 2 5/8" | 40" | 13 3/8" | 16" | 8 3/4" | DR1230 | 6 1/4" | - |
| BLB39/42 | 33" | 40 3/8" | 2 5/8" | 43" | 16 3/8" | 19" | 11 3/4" | DR1524 | 6 1/4" | - |
| BLB39/42 FH | 33" | 40 3/8" | 2 5/8" | 43" | 16 3/8" | 19" | 11 3/4" | DR1530 | 6 1/4" | - |
| BLB42/45 | 39" | 43 3/8" | 2 5/8" | 46" | 19 3/8" | 22" | 14 3/4" | DR1824 | 6 1/4" | - |
| BLB42/45 FH | 39" | 43 3/8" | 2 5/8" | 46" | 19 3/8" | 22" | 14 3/4" | DR1830 | 6 1/4" | - |
| BLB45/48 | 45" | 46 3/8" | 2 5/8" | 49" | 22 3/8" | 25" | 17 3/4" | DR2124 | 6 1/4" | - |
| BLB45/48 FH | 45" | 46 3/8" | 2 5/8" | 49" | 22 3/8" | 25" | 17 3/4" | DR2130 | 6 1/4" | 3" |
| BLB48/51 | 48" | 48" | 4" | 52" | 24" | 28" | 17 3/4" | DR2124 | 9 1/4" | 6" |
| BLB48/51 FH | 48" | 48" | 4" | 52" | 24" | 28" | 17 3/4" | DR2130 | 9 1/4" | 6" |

Corner Sink Base - 1 Door

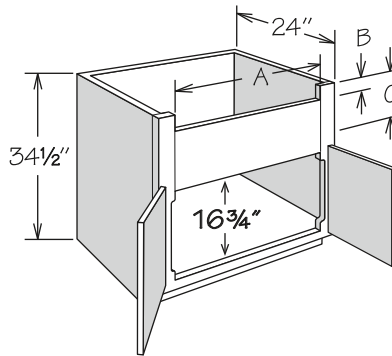


- No shelf
- Sides are finished
- Cabinet requires a minimum of 34" to fit through doorway
- Additional space recommended if appliance is installed on either side of this cabinet for proper appliance door operation
- Cabinet features solid top which must be field cut for sink installation as per manufacturer's specifications
- Maximum sink width is 22 3/4" if cut out is 4" back from face of front frame
- Refer to sink manufacturer's specifications for adequate clearance and required installation materials
- Touch Up Kit included

| |
|-----|
| AH |
| APC |
| FE |
| PE |

CSB36

Deep Sink/Range Base - 2 Butt Doors

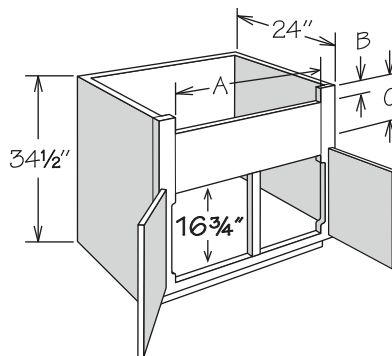


- No shelf
- Accommodates farm sinks
- Apron stiles are 3/8" wide and trimmable
- A cutout exists in the door area where the 3/8" stiles are routed to 1 5/8"
- Refer to sink or appliance manufacturer's specifications for adequate clearance and required installation materials
- Touch Up Kit included

| |
|-----|
| AH |
| APC |
| FE |
| PE |
| RD |
| RTK |

| | A-MIN. | A-MAX. | B | C-MAX FOL | C-MAX POL |
|------------|---------|--------|--------|-----------|-----------|
| DSB30 BUTT | 23 3/4" | 28" | 2 7/8" | 10" | 10 1/2" |
| DSB33 BUTT | 26 3/4" | 31" | 2 7/8" | 10" | 10 1/2" |
| DSB36 BUTT | 29 3/4" | 34" | 2 7/8" | 10" | 10 1/2" |

Deep Sink/Range Base - 2 Doors

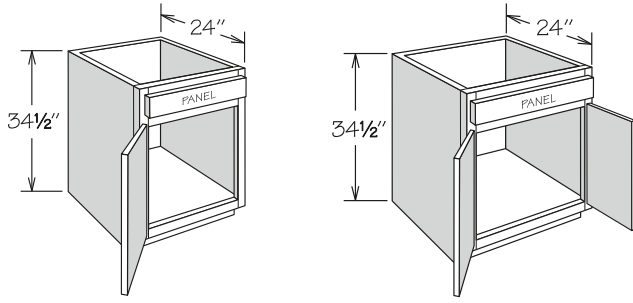


- No shelf
- Accommodates farm sinks
- Apron stiles are 3/8" wide and trimmable
- A cutout exists in the door area where the 3/8" stiles are routed to 1 5/8"
- Refer to sink or appliance manufacturer's specifications for adequate clearance and required installation materials
- Touch Up Kit included

| |
|-----|
| AH |
| APC |
| FE |
| PE |
| RD |
| RTK |

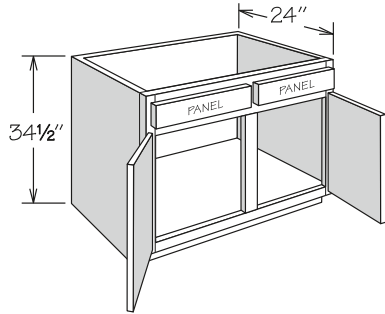
| | A-MIN. | A-MAX. | B | C-MAX FOL | C-MAX POL |
|-------|---------|--------|--------|-----------|-----------|
| DSB39 | 32 3/4" | 37" | 2 7/8" | 10" | 10 1/2" |

Sink/Cooktop Base

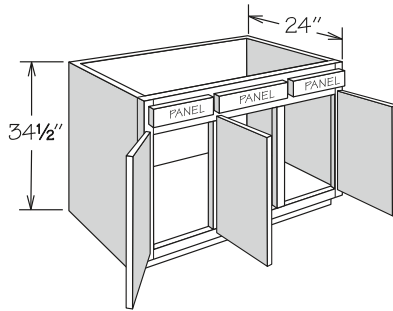


1 DOOR

2 BUTT DOORS



2 DOORS



3 DOORS

- No shelf
- Full-height back
- Subtract 1/2" from width and depth for available sink bowl opening
- Refer to sink or appliance manufacturer's specifications for adequate clearance and required installation materials
- Touch Up Kit included
- Single door cabinets are hinged left and can be reversed in the field

| |
|-----|
| AH |
| APC |
| FE |
| PE |
| RD |
| RTK |

1 DOOR

SB18
SB21
SB24

2 BUTT DOORS

SB24 BUTT
SB27 BUTT
SB30 BUTT
SB33 BUTT
SB36 BUTT

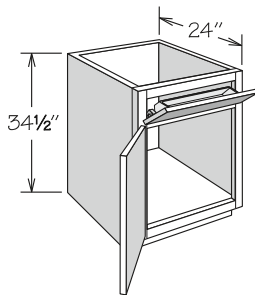
2 DOORS

SB39
SB42
SB48

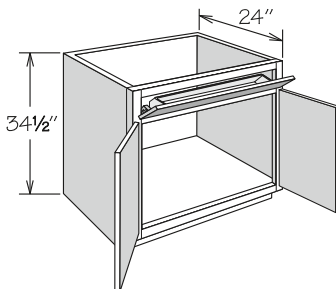
3 DOORS

SB45

Sink Base • 1 Stainless Tilt-Out Tray



1 DOOR



2 BUTT DOORS

- No shelf
- Full-height back
- Subtract 1/2" from width and 3/4" from depth for available sink bowl opening
- Tilt-Out Trays are NOT dishwasher safe
- Refer to sink manufacturer's specifications for adequate clearance and required installation materials
- Touch Up Kit included
- Single door cabinets are hinged left and can be reversed in the field

| |
|-----|
| AH |
| APC |
| FE |
| PE |
| RD |
| RTK |

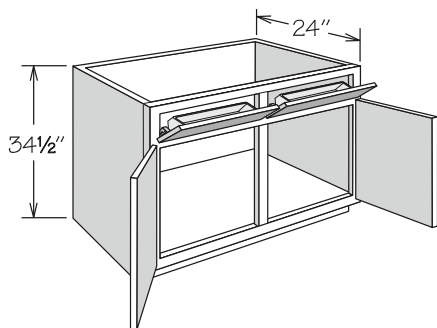
1 DOOR

SB21 STO
SB24 STO

2 BUTT DOORS

SB24 BUTT STO
SB27 BUTT STO
SB30 BUTT STO
SB33 BUTT STO
SB36 BUTT STO

Sink Base • 2 Stainless Tilt-Out Trays



- No shelf
- Full-height back
- Subtract 1/2" from width and 3/4" from depth for available sink bowl opening
- Tilt-Out Trays are NOT dishwasher safe
- Refer to sink manufacturer's specifications for adequate clearance and required installation materials
- Touch Up Kit included

| |
|-----|
| AH |
| APC |
| FE |
| PE |
| RD |
| RTK |

2 DOORS

SB39 STO
SB42 STO
SB48 STO

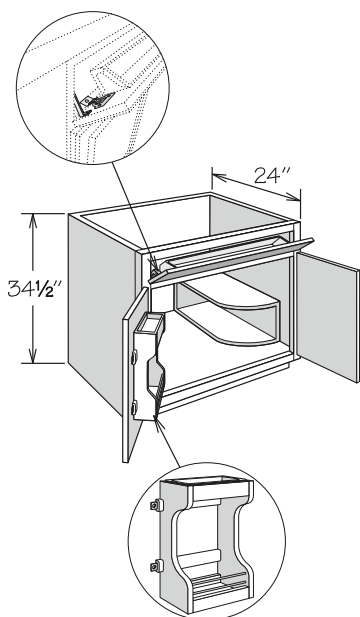
Sink Base Multi-Storage Cabinet

NEW!

UPDATE

NEW!

NOMENCLATURE



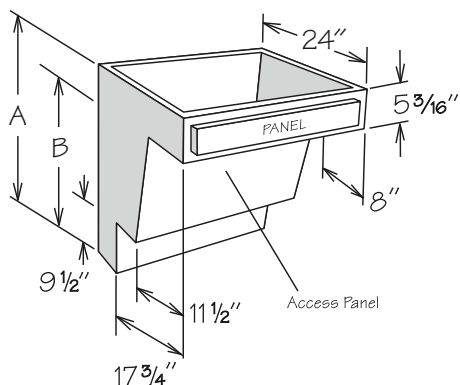
- **UPDATE:** Cabinet now features:
 - » Factory installed Sink Base Door Storage Unit
 - » One Stainless Tilt-Out Tray
 - » Sink Base Multi-Storage Shelf (SBMSS) shipped separately for field installation left or right
- Full-height back
- Sink Base Multi-Storage Shelf measures 8 7/16" wide x 8" high x 17 1/2" deep
- Subtract 1/2" from width and 3/4" from depth for available sink bowl opening
- Tilt-Out Trays and Door Storage Unit trays are NOT dishwasher safe
- Refer to sink manufacturer's specifications for adequate clearance and required installation materials
- Touch Up Kit included

| |
|-----|
| AH |
| APC |
| FE |
| PE |
| RTK |

2 BUTT DOORS

SBMSC30 BUTT STO
SBMSC36 BUTT STO

Sink Base • Base Plumbing Skirt

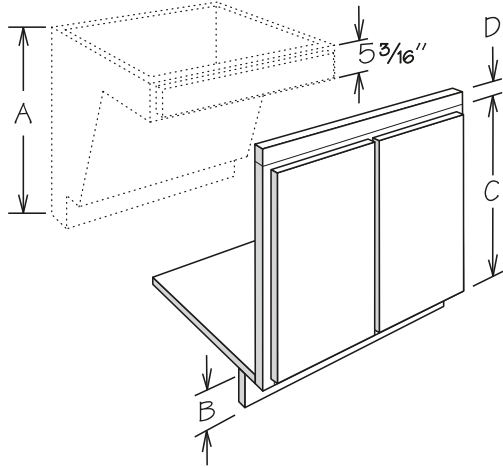


- Features kneehole drawer front - refer to door style section
- Removable front access panel
- Features plywood sides
- Subtract 1/2" from width and depth for available sink bowl opening
- Maximum available height inside cabinet for sink bowl is 5"
- Water lines, drains, and P-Trap must be installed at 6" maximum from wall
- Refer to sink manufacturer's specifications for adequate clearance and required installation materials
- Matching toe kick included
- Must be installed between two cabinets or a cabinet and a wall
- May be used with Adaptable Sink Base Kit (ASB) - order separately

| |
|-----|
| APC |
| FE |

| | A | B |
|---------------------|---------|----------|
| 32 1/2" High | | |
| BPS30 UD | 32 1/2" | 27 5/16" |
| BPS36 UD | 32 1/2" | 27 5/16" |
| 34 1/2" High | | |
| BPS3034 UD | 34 1/2" | 29 5/16" |
| BPS3634 UD | 34 1/2" | 29 5/16" |

Adaptable Sink Base Kit



- For use with Base Plumbing Skirt (BPS) - MUST be ordered separately
- Kit contains:
 - » Face frame with hinged butt doors
 - » One Tall Filler (S3S396)
 - » Two Drawer Fasteners (DDF FASTENER)
 - » One Sink Floor (FL36)
 - » One Hardwood Cleat (HWC 2X4X96)
 - » Installation instructions
- Kit must be assembled in the field
- Features CushionClose hinges standard

| A BPS | B DESIRED TOE KICK HEIGHT | C FACE FRAME HEIGHT | D TRIMMED S3S | KIT |
|----------|---------------------------------|---------------------------|---------------------|------------|
| 32 1/2" | 2" | 24 1/2" | 1 3/16" | ASB_34 KIT |
| 32 1/2" | 4" | 20 5/8" | 2 11/16" | ASB_32 KIT |
| 34 1/2" | 4" | 24 1/2" | 1 3/16" | ASB_34 KIT |

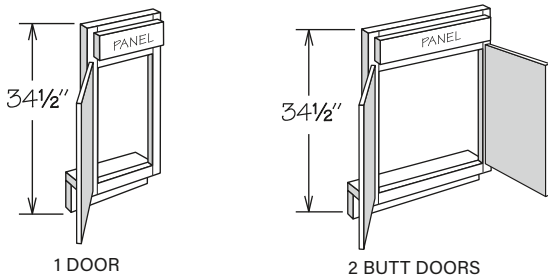
20 5/8" Frame

ASB3032 KIT
ASB3632 KIT

24 1/2" Frame

ASB3034 KIT
ASB3634 KIT

Sink/Cooktop Front



1 DOOR

2 BUTT DOORS

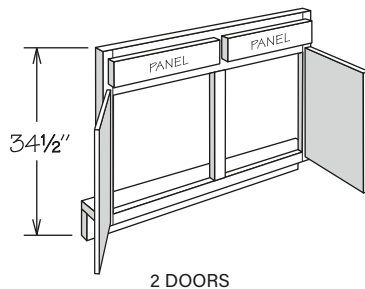
- SF45 is hinged as shown - can be reversed in the field
- Order floor and returns separately (field trimming may be required) - refer to Panel Section for availability (pages 162-163)

1 DOOR

SF12
SF15
SF18
SF21
SF24

2 BUTT DOORS

SF24 BUTT
SF27 BUTT
SF30 BUTT
SF33 BUTT
SF36 BUTT



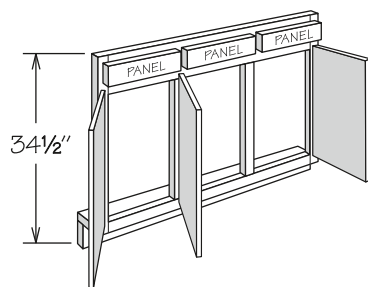
2 DOORS

2 DOORS

SF39
SF42
SF48

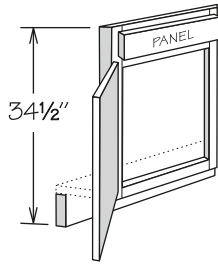
3 DOORS

SF45

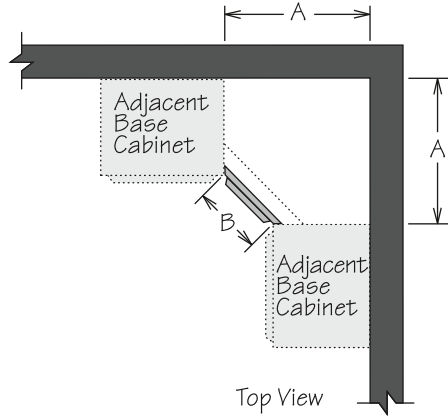


3 DOORS

Corner Sink Front

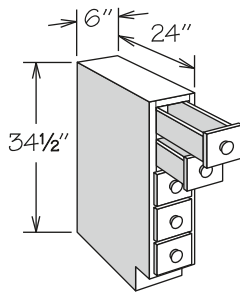


- Vertical edges of frame are mitered to attach to adjacent cabinet frames
- Order floor and returns separately (field trimming may be required) – refer to Panel Section for availability (pages 162-163)



| | A | B |
|-------|------------------------------------|------------------------------------|
| CSF36 | 35 ³¹ / ₃₂ " | 16 ¹⁵ / ₁₆ " |
| CSF42 | 42 ¹¹ / ₃₂ " | 25 ¹⁵ / ₁₆ " |

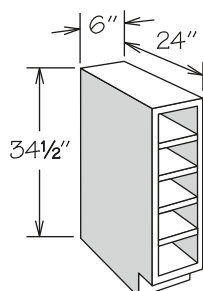
Base Spice Drawer Cabinet



- All door styles feature veneered engineered wood with exterior only finished to match cabinet box exterior
- Five individual full-depth drawers without glides
- Flush sides with no face frame or 1/4" reveals
- All wood drawer body with dovetail construction
- Wood door styles feature matching wood knobs
- Breeze, Linen and Pewter door styles feature white porcelain knobs
- Features 1/2" thick slab drawer fronts for all door styles

BSDC6

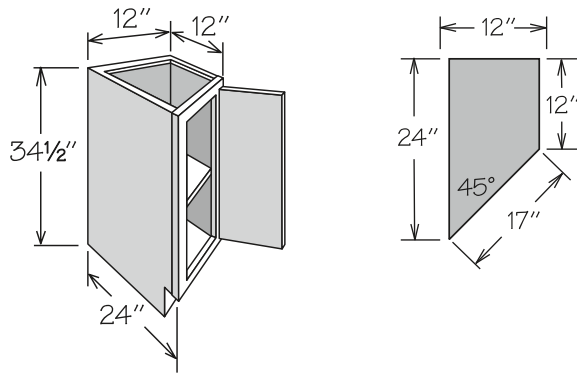
Base Wine Rack Cabinet



- All door styles feature veneered engineered wood with interior and exterior finished to match cabinet box exterior
- Accommodates five wine bottles (each opening measures: 5" high x 4 1/2" wide)
- 3/4" sides and shelves
- Flush sides with no face frame or 1/4" reveals
- Cannot be retrofitted with Base Spice drawers

BWRC6

Base End Angle - 1 Door



BEA12R FH is shown

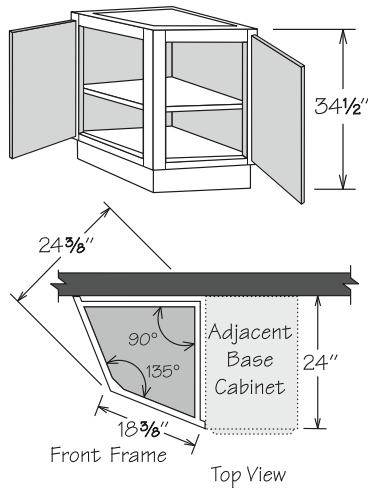
- Full-height door
- Full-depth adjustable shelf
- Only available with RD-23 through RD-18
- Recessed Toe Kick Option (RTK) only available on 12" side
- Cabinet dimensions are for reference purposes ONLY - countertop must be measured and fabricated after cabinet installation

| |
|-----|
| AH |
| FE |
| RD |
| RTK |

1 SHELF

BEA12L FH
BEA12R FH

Base End Angle - 2 Doors

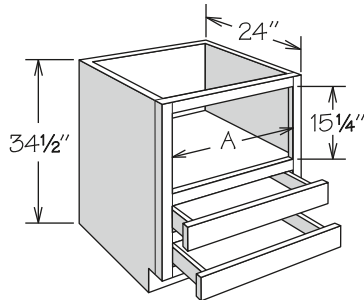


- Features a solid top
- Full-depth adjustable shelf
- Requires 24" x 24" space
- Cabinet dimensions are for reference purposes ONLY - countertop must be measured and fabricated after cabinet installation

1 SHELF

BEA24 FH

Base Microwave Cabinet - 2 Drawers



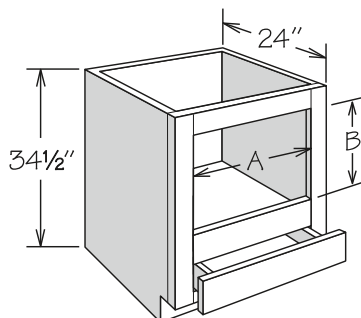
- Microwave opening finished to match cabinet box exterior
- Features two standard depth drawers
- Accent molding recommended (order separately)
- Designed to accommodate countertop style microwave and microwave drawers
- Refer to appliance manufacturer's specifications for adequate clearances

| |
|-----|
| AH |
| APC |
| FE |
| PE |
| RD |
| RTK |

A

| | |
|-------|---------|
| BMC24 | 20 3/4" |
| BMC27 | 23 3/4" |
| BMC30 | 26 3/4" |

Built-In Base Microwave Cabinet NEW! PRODUCT



- Features one standard depth drawer
- 3 1/4" top rail is field trimmable
- 3 1/8" stiles
- Designed to accommodate built-in style microwaves with trim kit and microwave drawers
- Refer to appliance manufacturer's specifications for adequate clearances and required installation materials

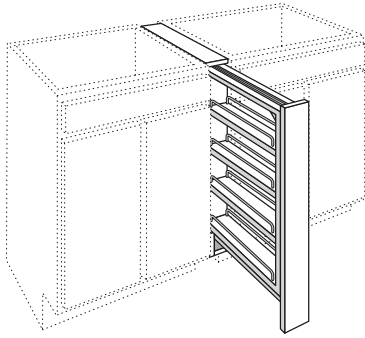
| |
|-----|
| AH |
| APC |
| FE |
| PE |
| RD |
| RTK |

| | A-MIN. | A-MAX. | B-MIN. | B-MAX. |
|---------------|---------|--------|---------|---------|
| BBMC24 | 17 3/4" | 22" | 15 5/8" | 21 1/8" |
| BBMC27 | 20 3/4" | 25" | 15 5/8" | 21 1/8" |
| BBMC30 | 23 3/4" | 28" | 15 5/8" | 21 1/8" |

Base Filler Pull-Out

NEW!

UPDATE

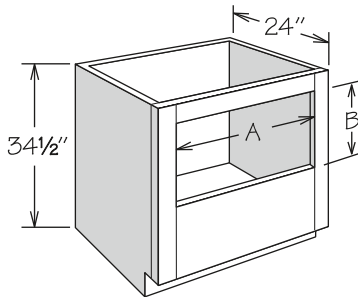


- **UPDATE:** Now features CushionClose standard (XCDW no longer available)
- Must be installed between two base cabinets behind the face frame in 3" (BFP3) or 6" (BFP6) of floor space
- Cannot be installed next to an appliance or at the end of a run
- Features CushionClose glides
- No side panels or toe kick
- Filler shipped unattached for field installation
- An overlay filler is recommended for full overlay door styles (order separately)
- Two fixed and two adjustable wood shelves with chrome rails
- Decorative hardware strongly recommended

SHELF WIDTH

| | |
|------|--------|
| BFP3 | 2 1/8" |
| BFP6 | 4 3/4" |

Base Oven Cabinet Universal



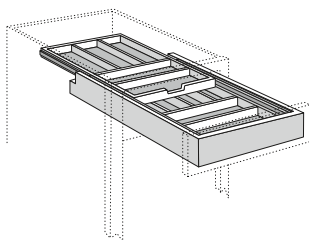
- Designed for mounting single oven below countertop
- 3" top rail is field removable and field trimmable
- 3 1/8" stiles
- Will accommodate certain cooktops (in conjunction with under-counter oven) or drop-in ranges
- Most ovens require a top rail of varying heights to create a finished look and clear the countertop overhang
- Refer to appliance manufacturer's specifications for adequate clearances and required installation materials

| |
|-----|
| AH |
| APC |
| FE |
| PE |
| RD |
| RTK |

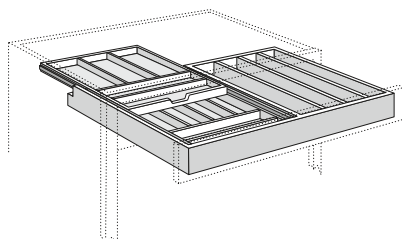
| | A-MIN. | A-MAX. | B-MIN. | B-MAX.* |
|--------|---------|-----------|---------|---------|
| BOCU27 | 20 3/4" | 24 15/16" | 18 1/4" | 29" |
| BOCU30 | 23 3/4" | 27 15/16" | 18 1/4" | 29" |
| BOCU33 | 26 3/4" | 30 15/16" | 18 1/4" | 29" |

*Trimming/removal of top rail required

Wood Tiered Cutlery Divider Kit



18" Wide Shown

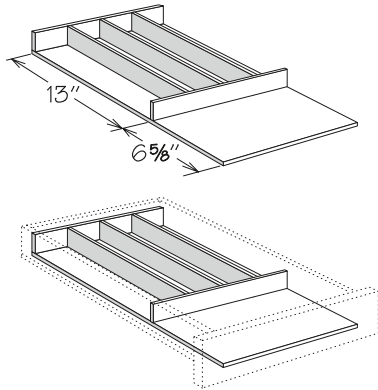


30" Wide Shown

- Available as factory installed for all door styles
- Field installed accessory replaces existing drawer box
- Glides are NOT included: reuse existing drawer glides
- Solid hardwood and plywood in natural finish
- Double-tiered cutlery divider slides independently from drawer
- Can be installed in cabinets with single drawer or side-by-side drawer configurations
- Not sized to fit cabinets with Reduced Depth Option
- Not field trimmable

| WIDTH | UPPER SECTIONS | LOWER SECTIONS | COOKING UTENSIL SECTIONS |
|-----------|----------------|----------------|--------------------------|
| WTCDKFD15 | 5 | 5 | - |
| WTCDKFD18 | 5 | 6 | - |
| WTCDKFD21 | 6 | 7 | - |
| WTCDKFD24 | 7 | 7 | - |
| WTCDKFD30 | 5 | 5 | 4 |
| WTCDKFD36 | 5 | 5 | 5 |

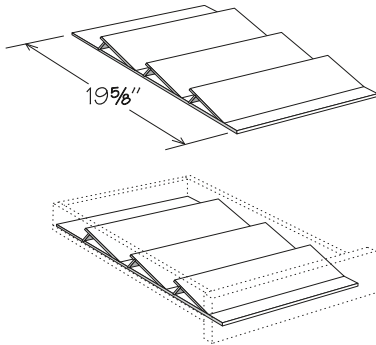
Cutlery Divider Kit



- Available as factory installed for all doors styles
- Field installation accessory
- Solid hardwood and plywood in natural finish
- Not sized to fit cabinets with Reduced Depth Option
- Not field trimmable

| | NUMBER OF SECTIONS | WIDTH |
|--------|--------------------|----------------------------------|
| CDAK15 | 4 | 9 ³ / ₄ " |
| CDAK18 | 5 | 12 ³ / ₄ " |
| CDAK21 | 6 | 15 ³ / ₄ " |
| CDAK24 | 6 | 18 ³ / ₄ " |
| CDAK30 | 7 | 24 ³ / ₄ " |
| CDAK36 | 8 | 30 ³ / ₄ " |

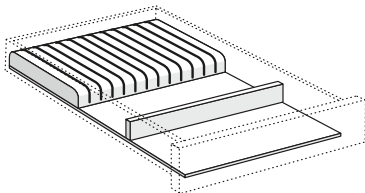
Spice Drawer Insert Kit



- Available as factory installed for all doors styles
- Field installation accessory
- Solid hardwood and plywood in natural finish
- Accommodates most spice containers (not included)
- Not sized to fit cabinets with Reduced Depth Option
- Not field trimmable

| | WIDTH |
|---------|----------------------------------|
| SDIAK15 | 9 ³ / ₄ " |
| SDIAK18 | 12 ³ / ₄ " |
| SDIAK21 | 15 ³ / ₄ " |
| SDIAK24 | 18 ³ / ₄ " |

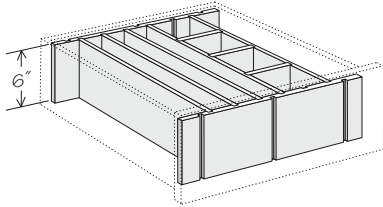
Knife Block Drawer Insert Kit



- Field installation accessory
- Solid hardwood in natural finish
- Not sized to fit cabinets with Reduced Depth Option

| | NUMBER OF KNIFE SLOTS | WIDTH |
|---------|-----------------------|----------------------------------|
| KBDIK15 | 10 | 9 ³ / ₄ " |
| KBDIK18 | 13 | 12 ³ / ₄ " |
| KBDIK21 | 16 | 15 ³ / ₄ " |
| KBDIK24 | 19 | 18 ³ / ₄ " |

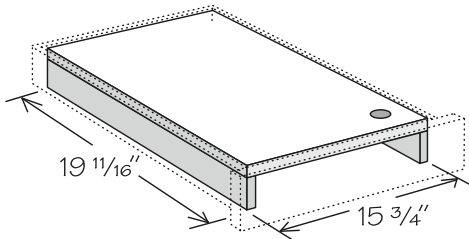
Adjustable Drawer Divider Kit



- Field installation accessory
- For use in large drawers only
- Can be field trimmed in width and depth to accommodate 21" - 36" wide drawers and cabinets with the Reduced Depth Option
- Kit includes:
 - » Front and back panels with grooves
 - » Vertical dividers - two are grooved to accept horizontal dividers
 - » Horizontal dividers
 - » Installation screws

| | NUMBER OF VERTICAL DIVIDERS | NUMBER OF HORIZONTAL DIVIDERS |
|------------|-----------------------------|-------------------------------|
| ADDIK21/24 | 3 | 3 |
| ADDIK27/30 | 5 | 3 |
| ADDIK33/36 | 6 | 3 |

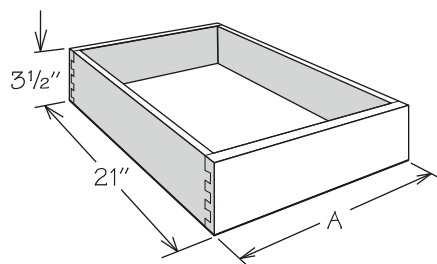
Drawer Work Surface



- Field installation accessory
- Sized to fit in a standard depth 21" wide drawer - field trimmable to fit additional drawer sizes
- Work surface only - not to be used as a cutting board
- Workboard sits on wooden supports to flush out top of drawer
- Not sized to fit cabinets with Reduced Depth Option

DWS21

Deep Roll Out Tray Kit

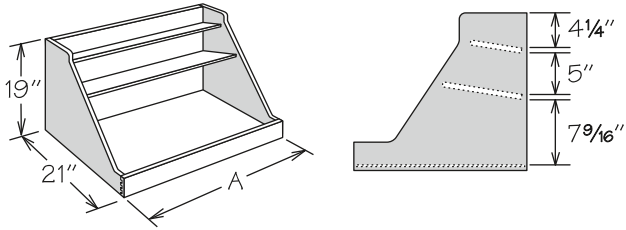


- Field installation accessory
- Natural finish dovetail drawer with engineered wood bottom
- Includes tray, all glide hardware and installation instructions
- DROT drill template is required for all two door cabinets that have a center stile - contact Customer Care for drill template

RD

| SINGLE DEEP ROLL OUT TRAY KIT | 4 PACK DEEP ROLL OUT TRAY KIT | A |
|-------------------------------|-------------------------------|---------|
| DROT12 | DROT12-4K | 7 3/4" |
| DROT15 | DROT15-4K | 10 3/4" |
| DROT18 | DROT18-4K | 13 3/4" |
| DROT19 | - | 15 1/4" |
| DROT21 | DROT21-4K | 16 3/4" |
| DROT24 | DROT24-4K | 19 3/4" |
| DROT27 | DROT27-4K | 22 3/4" |
| DROT30 | DROT30-4K | 25 3/4" |
| DROT33 | DROT33-4K | 28 3/4" |
| DROT36 | DROT36-4K | 31 3/4" |

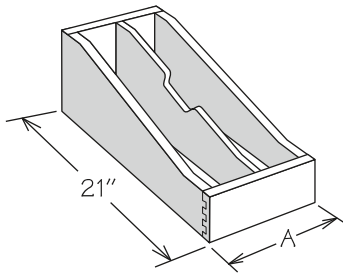
Base Pot & Pan Organizer Kit



- Field installation accessory
- Organizer features natural finish solid wood, wood veneer and dovetail (front only) construction with engineered wood bottom
- Top shelf of organizer measures 6 3/8" deep
- Middle shelf of organizer measures 9 3/4" deep
- Not sized to fit reduced depth cabinets

| | A | BASE CABINET SIZE | OVEN CABINET SIZE |
|---------|---------|-------------------|-------------------|
| BPPOK24 | 19 3/4" | 24" | 27" |
| BPPOK27 | 22 3/4" | 27" | 30" |
| BPPOK30 | 25 3/4" | 30" | 33" |
| BPPOK33 | 28 3/4" | 33" | — |
| BPPOK36 | 31 3/4" | 36" | — |

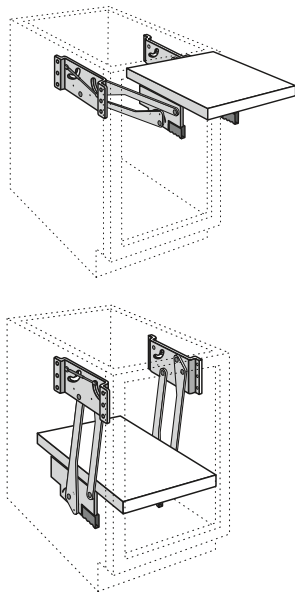
Roll-Out Tray Divider Kit



- Field installation accessory
- Natural finish solid wood and wood veneer and dovetail (front only) construction with engineered wood bottom
- ROTDK12 features two compartments (one partition)
- ROTDK15 features three compartments (two partitions)
- Partition(s) are field installed
- Not sized to fit reduced depth cabinets

| | A | CABINET SIZE |
|---------|---------|--------------|
| ROTDK12 | 7 3/4" | 12" |
| ROTDK15 | 10 3/4" | 15" |

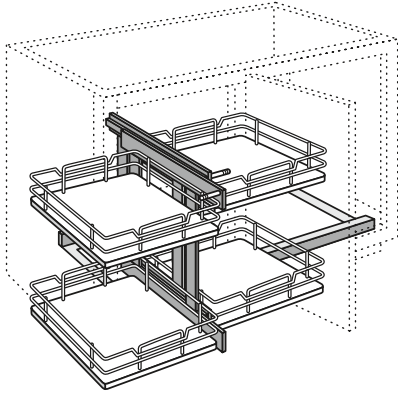
Base Mixer Lift Kit



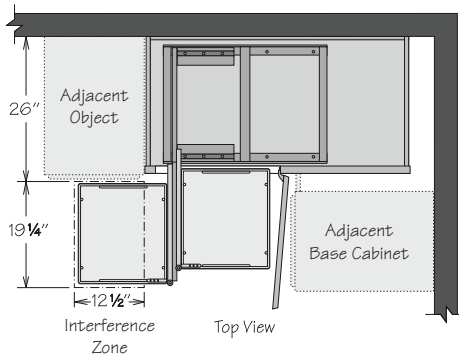
- Field installation accessory
- Includes 1 3/8" thick natural finish solid wood shelf and one pair of shock dampening, adjustable tension lifts
- Cannot be used with Deep Roll Out Trays or adjustable shelf
- Supports up to 60 pounds
- Mounts to cabinet side panels
- Not sized to fit cabinets with Reduced Depth Option
- For use with B18 FH with Furniture Ends Option

BMLK18

Blind Base Pull Out Kit

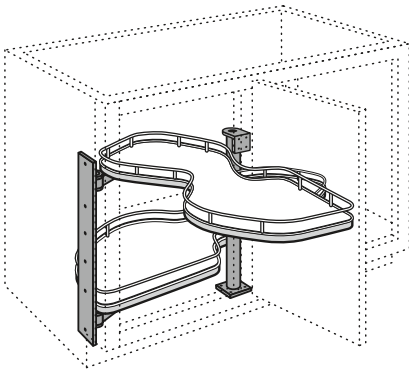


- Field installation accessory
- Can be reversed for left or right installation
- Two-tiered organizer features four chrome finish wire shelves with engineered wood bottoms with woodgrain look
- Features full-extension 100-pound rated glides
- Supports up to 27 pounds per front shelf and 34 pounds per back shelf
- Recommended for use with BLB45/48 FH or BLB48/51 FH, can be used with BLB45/48 or BLB48/51
- Mounts to cabinet floor
- Not sized to fit cabinets with Reduced Depth Option
- Unit requires 19¼" of clearance in front of cabinet to pull the unit out, and 12½" of side clearance to slide the unit over
- Pull out kit remains fully functional with use of Hinge Restriction Clip (86° angle) on blind base door
- Baskets are able to be repositioned to allow clearance of deeper adjacent objects up to 26"



BLBP0K45

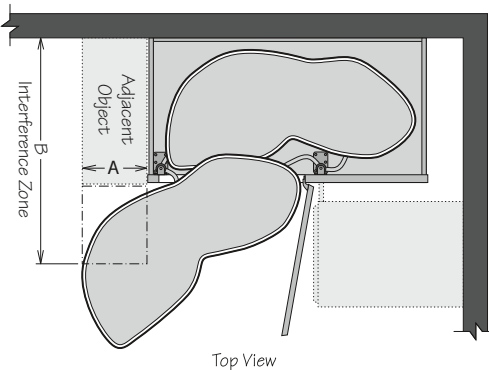
Blind Base Swing Out Kit



BLBSOK45L (left swing kit) shown in a BLB45/48 FHR (right hinged door)

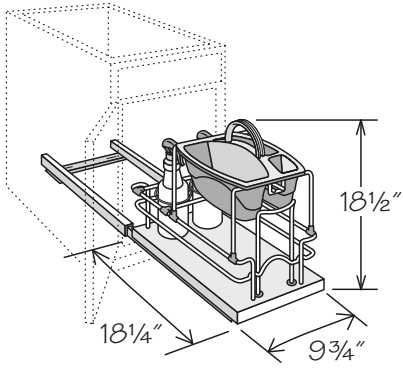
- Field installation accessory
- Kit is not reversible and must be ordered as left or right - BLB_ L uses a BLBSOK45R and a BLB_ R uses a BLBSOK45L
- Two-tiered organizer features two chrome finish wire shelves with engineered wood bottoms with woodgrain look
- Supports up to 55 pounds per shelf
- Recommended for use with BLB45/48 FH or BLB48/51 FH, can also be used with BLB45/48 or BLB48/51 - Furniture End Option required
- Swing out kit remains fully functional with use of Hinge Restriction Clip (86° angle) on blind base door
- Mounts to cabinet side panel and telescopic pole (included)
- Not sized to fit cabinets with Reduced Depth Option

BLBSOK45L
BLBSOK45R



| A (Distance from edge of BLB frame) | 0" | 3" | 6" | 9" | 12" | 13" |
|---|---------|---------|---------|---------|---------|-----------------|
| B (Maximum Depth of Adjacent Object) | 24 7/8" | 25 1/2" | 27 1/2" | 28 5/8" | 32 1/4" | no interference |

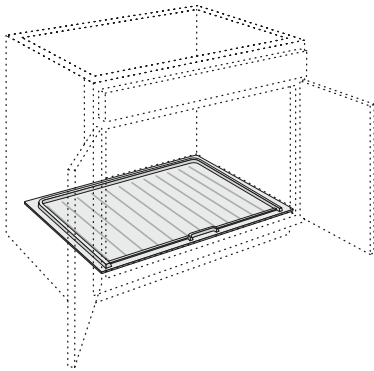
Cleaning Caddy Pullout Kit



- Field installation accessory
- Features metal and wire pull out organizer with two 1L spray bottles and one removable gray cleaning caddy
- Unit is configurable so that spray bottles can be installed at the front or back
- Supports up to 75 pounds
- For use with 15" or wider base cabinet
- Mounts to cabinet floor
- For use in 24" deep base cabinets, 21" deep vanity cabinets or cabinets with RD-23 through RD-20

CCPOK

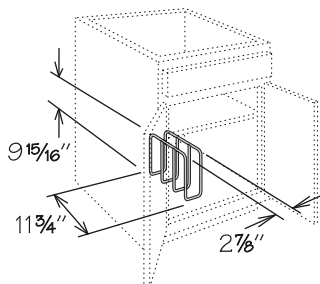
Sink Base Mat



- Field installation accessory
- Designed to funnel any leaks or spills out the front of the cabinet while protecting the cabinet floor
- Features flexible material in gray finish - easily trimmable
- Minor field trimming required for use in Deep Sink Base cabinets
- Not sized or trimmable to fit cabinets with Reduced Depth Option
- SBMAT39 is notched for center stile

SBMAT30
SBMAT33
SBMAT36
SBMAT39

Cabinet Tray Divider



- Field installation accessory
- Chrome finish
- For use in 24" deep cabinets or cabinets with RD-23 through RD-14
- Mounting hardware included

TD3

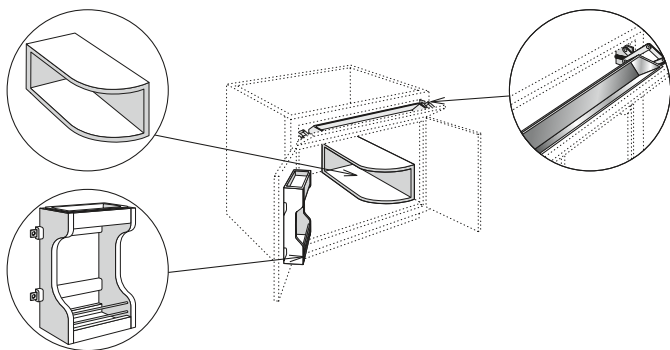
Sink Base Multi-Storage Kit

NEW!

UPDATE

NEW!

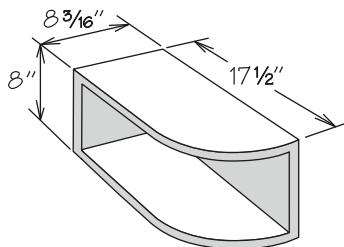
NOMENCLATURE



- **UPDATE:** SBMS30 KIT for 30" sink base only and now features:
 - » 15" Sink Base Door Storage Unit (SBDSU15)
 - » Sink Base Multi-Storage Shelf (SBMSS)
 - » One Stainless Tilt-Out Tray Kit (STO TRAY 22)
- **UPDATE:** SBMS36 KIT for 36" sink base only and now features:
 - » 18" Sink Base Door Storage Unit (SBDSU18)
 - » Sink Base Multi-Storage Shelf (SBMSS)
 - » One Stainless Tilt-Out Tray Kit (STO TRAY 22)
- Field installation accessory
- Not sized to fit cabinets with Reduced Depth
- Tilt-Out Trays and Door Storage Unit Trays are NOT dishwasher safe

SBMSC30 KIT
SBMSC36 KIT

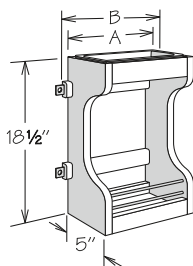
Sink Base Multi-Storage Shelf



- Field installation accessory
- 3/4" plywood with natural finish
- Invert for left or right installation

SBMSS

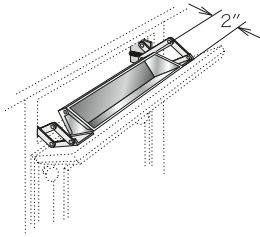
Sink Base Door Storage Unit



- Field installation accessory
- Natural finish solid wood
- Two fixed shelves
- Cannot be used with Deep Roll Out Trays
- Full-depth shelf must be field trimmed to half-depth
- Removable white plastic tray is NOT dishwasher safe
- SBDSU15 mounts to 15" or 16" wide base door
- SBDSU18 mounts to 18" or 19" wide base door
- Not sized to fit Deep Sink Base (DSB) cabinet doors

| | A | B |
|---------|---------|---------|
| SBDSU15 | 9" | 10 1/2" |
| SBDSU18 | 10 1/2" | 13 1/2" |

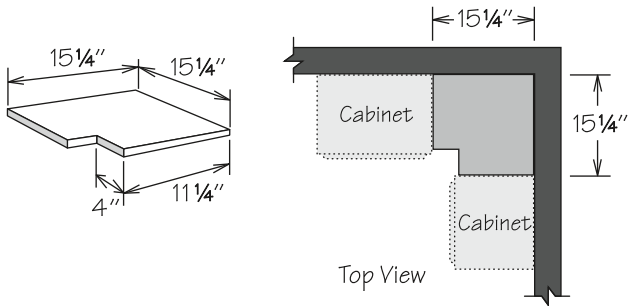
Stainless Tilt-Out Tray Kit



- Field installation accessory
- Kit features tray and one pair of scissor hinges
- Order units individually
- STO TRAY 11:
 - » Order one unit for SB18
- STO TRAY 14:
 - » Order one unit for SB21, SB24, SB27 or CSF42
 - » Order two units for SB39, SB42 or SB48
- STO TRAY 22:
 - » Order one unit for SB30, SB33 or SB36
- Sink front units match sink base sizes as noted above
- Tilt-Out Trays are NOT dishwasher safe

STO TRAY 11
 STO TRAY 14
 STO TRAY 22

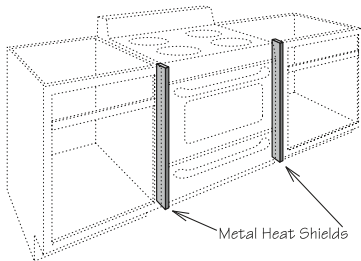
Blind Corner Closure



- Features 1/2" engineered wood with natural woodgrain finish on both sides
- Field trimmable

BLC1515

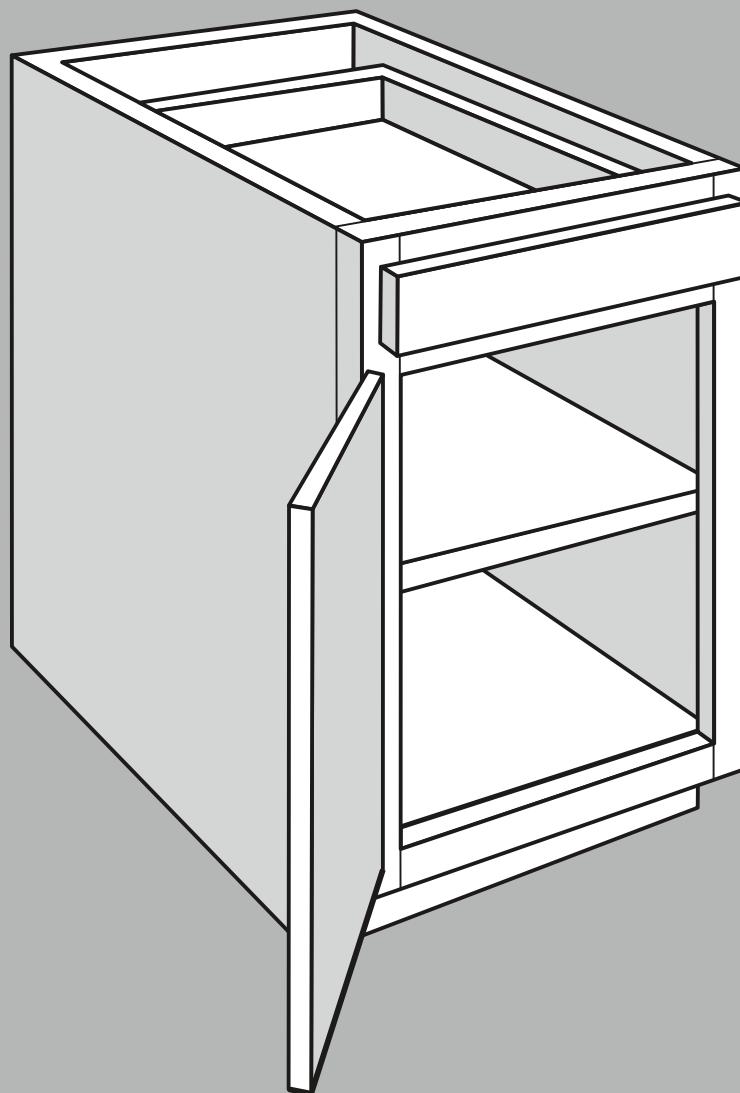
Heat Shield Kit



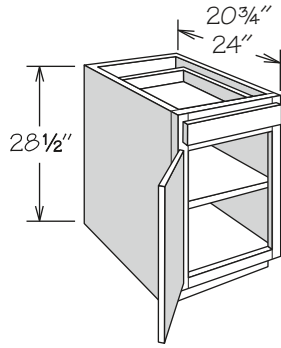
- Field installation accessory
- For use as heat shield on Portola Duraform
- Protects doors and drawer fronts from adjacent heat source (built-in ovens, under counter ovens, drop-in or free-standing ranges)
- Kit features:
 - » Two 1/16" metal heat shields finished to match cabinet box exterior
 - » One strip of QM8 molding shield finished to match cabinet box exterior

HSK

Desk Cabinets & Bookshelves



Desk Cabinet • 1 Door and 1 Drawer



- One adjustable shelf
- May be accessorized with one Deep Roll Out Tray
- Deep Roll Out Tray must be mounted on cabinet floor

| |
|-----|
| APC |
| CFO |
| FE |
| PE |
| RD |
| RTK |

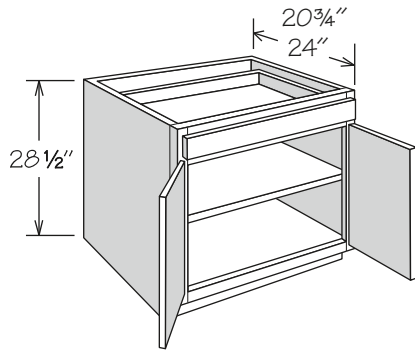
24" DEEP

DDO1224
DDO1524
DDO1824
DDO2124

21" DEEP

DDO1221
DDO1521
DDO1821
DDO2121

Desk Cabinet • 2 Butt Doors and 1 Drawer



- One adjustable shelf
- May be accessorized with one Deep Roll Out Tray
- Deep Roll Out Tray must be mounted on cabinet floor

| |
|-----|
| APC |
| CFO |
| FE |
| PE |
| RD |
| RTK |

24" DEEP

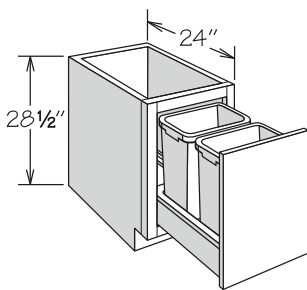
DDO2424 BUTT

21" DEEP

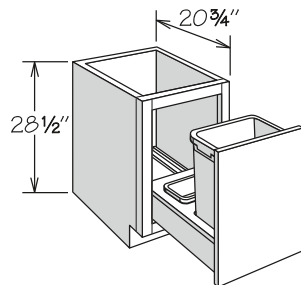
DDO2421 BUTT

Desk Cabinet • 1 Door with Wastebasket Pull-Out

NEW! **UPDATE**



2 WASTEBASKETS



1 WASTEBASKET

- **UPDATE:** Now features CushionClose standard (XCDW no longer available)
- Full-height door
- Wastebasket rests in a natural finish wood frame
- Wastebasket pull-out features heavy-duty 100-pound rated CushionClose glides
- DWBB1824 features two silver plastic 35-quart capacity bins
- DWBB1821 features one silver plastic 35-quart capacity bin and bag storage tray at rear (not dishwasher safe)
- Decorative hardware strongly recommended

| |
|-----|
| APC |
| FE |
| PE |
| RTK |

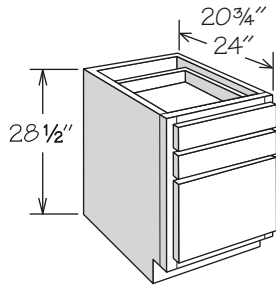
24" DEEP • 2 WASTEBASKETS

DWBB1824

21" DEEP • 1 WASTEBASKET

DWBB1821

Desk Drawer Cabinet - 3 Drawers



- One large and two standard drawers
- Large drawer cannot be used as a file drawer

| |
|-----|
| APC |
| CFO |
| FE |
| PE |
| RD |
| RTK |

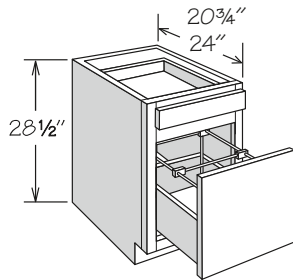
24" DEEP

DDR1224
DDR1524
DDR1824
DDR2124
DDR2424

21" DEEP

DDR1221
DDR1521
DDR1821
DDR2121
DDR2421

Desk Cabinet - 1 Drawer and Door with File Pull-Out



- One standard top drawer
- Features one natural finish wood drawer body attached to door pull-out
- File unit packaged separately for field installation
- Will accept letter or legal-size hanging files

| |
|-----|
| APC |
| FE |
| PE |
| RTK |

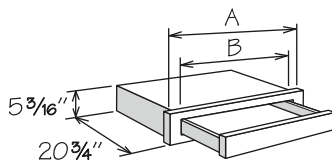
24" DEEP

DFDC1824

21" DEEP

DFDC1821

Kneehole Drawer Cabinet - 1 Drawer

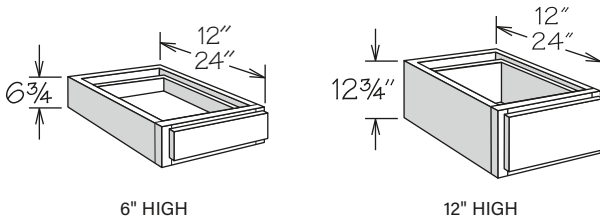


- Designed for desk or vanity application
- Field trimmable in height to 4 3/4"
- Field trimmable in depth to 18" or available with RD-20 through RD-12
- Drawer front complements door style - refer to door style section

| |
|----|
| RD |
|----|

| | A | B | MAX. TRIM |
|----------|-----|---------|------------------------|
| KDC27/21 | 27" | 17 3/4" | 21" (3" each side) |
| KDC33/27 | 33" | 23 3/4" | 27" (3" each side) |
| KDC36/33 | 36" | 29 3/4" | 33" (1 1/2" each side) |

Furniture Drawer Cabinet - 1 Drawer



- 6" high features one standard drawer and 12" high features one large drawer
- 24" deep Furniture Drawer cabinets are only available with RD-23 through RD-13
- Bottom of cabinet frame must be fully supported

| |
|------|
| APC |
| CFO |
| FE |
| PE |
| RD ■ |

6" HIGH - 1 DRAWER

12" Deep

FD121206
FD151206
FD181206
FD211206
FD241206
FD271206
FD301206
FD331206
FD361206

24" Deep

FD122406 ■
FD152406 ■
FD182406 ■
FD212406 ■
FD242406 ■
FD272406 ■
FD302406 ■
FD332406 ■
FD362406 ■

12" HIGH - 1 DRAWER

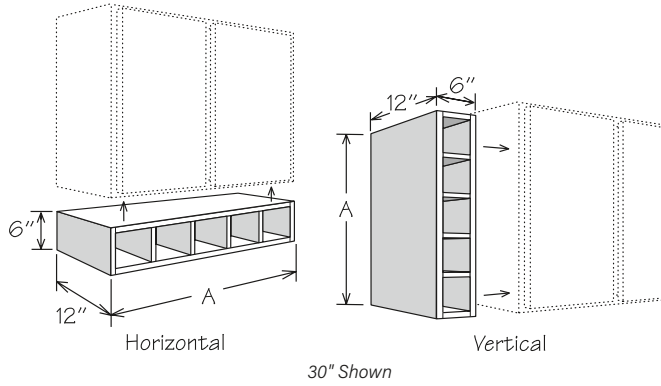
12" Deep

FD121212
FD151212
FD181212
FD211212
FD241212
FD271212
FD301212
FD331212
FD361212

24" Deep

FD122412 ■
FD152412 ■
FD182412 ■
FD212412 ■
FD242412 ■
FD272412 ■
FD302412 ■
FD332412 ■
FD362412 ■

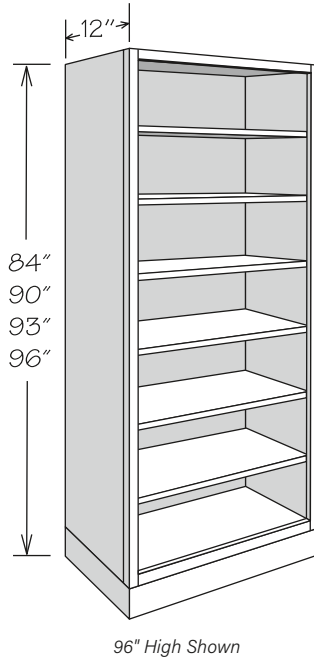
Storage Cube



- Vertical installation may require the use of fillers and/or molding which must be ordered separately
- Opening size is 5" wide x 4½" high (horizontal) which will accommodate most envelopes and various other office supplies
- All door styles features ¾" veneered engineered wood finished to match cabinet box exterior
- Flush sides with no face frame or ¼" reveals
- Interior finished to match cabinet box exterior
- Cannot be retrofitted with Spice Drawer Cabinet drawers

| | A | NUMBER OF OPENINGS |
|------|-----|--------------------|
| SC30 | 30" | 5 |
| SC36 | 36" | 6 |
| SC42 | 42" | 7 |

Tall Bookshelf



- All Plywood Construction standard
- Interior finished to match cabinet box exterior
- Flush furniture toe kick
- Toe kick shipped unattached for 93" and 96" high bookshelves
- Adjustable 23/32" plywood shelves finished to match cabinet box exterior included
- All shelving packaged separately for field installation

| |
|----|
| FE |
| ID |
| RD |

12" DEEP

96"H • 6 Shelves

BSPLY1896
BSPLY2496
BSPLY3096
BSPLY3696

90"H • 6 Shelves

BSPLY1890
BSPLY2490
BSPLY3090
BSPLY3690

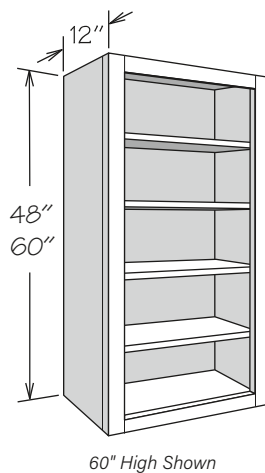
93"H • 6 Shelves

BSPLY1893
BSPLY2493
BSPLY3093
BSPLY3693

84"H • 5 Shelves

BSPLY1884
BSPLY2484
BSPLY3084
BSPLY3684

Wall Bookshelf



- All Plywood Construction standard
- Interior finished to match cabinet box exterior
- Adjustable 23/32" plywood shelves finished to match cabinet box exterior included
- All shelving packaged separately for field installation

| |
|----|
| FE |
| ID |
| RD |

12" DEEP

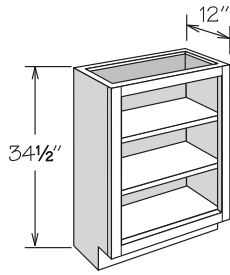
60"H • 4 Shelves

BSPLY1860
BSPLY2460
BSPLY3060
BSPLY3660

48"H • 3 Shelves

BSPLY1848
BSPLY2448
BSPLY3048
BSPLY3648

Base Bookshelf



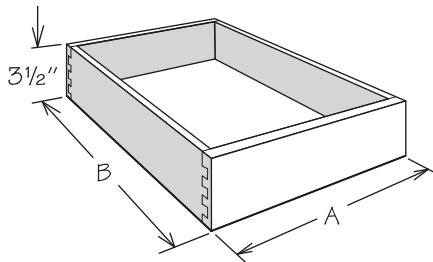
- All Plywood Construction standard
- Interior finished to match cabinet box exterior
- Two adjustable ²³/₃₂" plywood shelves finished to match cabinet box exterior included
- All shelving packaged separately for field installation

| |
|-----|
| FE |
| ID |
| RD |
| RTK |

12" DEEP

BSPLY2434

Deep Roll Out Tray Kit



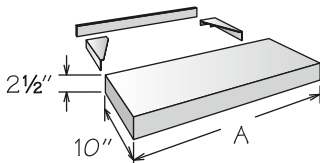
- Field installation accessory
- Natural finish dovetail drawer with engineered wood bottom
- Includes tray, all glide hardware and installation instructions
- DROT_21 for use in 21" deep desk or vanity cabinets
- Contact customer care for drill template

| |
|----|
| RD |
|----|

DEEP ROLL OUT TRAY KIT

| | A | B |
|----------|---------|-----|
| DROT12 | 7 3/4" | 21" |
| DROT15 | 10 3/4" | 21" |
| DROT18 | 13 3/4" | 21" |
| DROT21 | 16 3/4" | 21" |
| DROT24 | 19 3/4" | 21" |
| DROT1221 | 7 3/4" | 18" |
| DROT1521 | 10 3/4" | 18" |
| DROT1821 | 13 3/4" | 18" |
| DROT2421 | 19 3/4" | 18" |

Floating Shelf

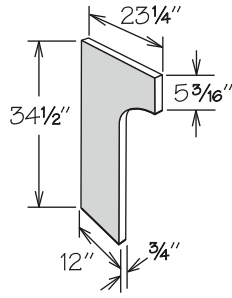


- Not trimmable
- Finished on all sides to match cabinet box exterior
- Constructed of engineered wood top and bottom and solid wood front and sides
- When installed between two cabinets, Furniture Ends (FE) are recommended for adjacent cabinets
- Must be secured to studs in wall
- Installation instructions, mounting brackets, and screws included

10" DEEP

| | A | MAX. LOAD |
|----------|-----|-----------|
| FLSH2410 | 24" | 30 lbs. |
| FLSH3010 | 30" | 37 lbs. |
| FLSH3610 | 36" | 45 lbs. |
| FLSH4210 | 42" | 52 lbs. |
| FLSH4810 | 48" | 60 lbs. |

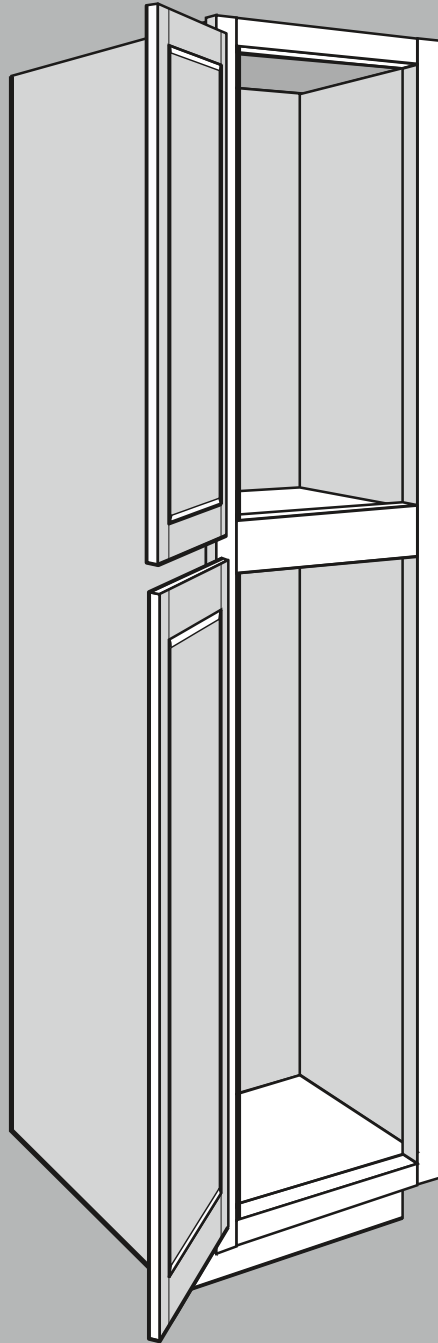
Desk End Panel



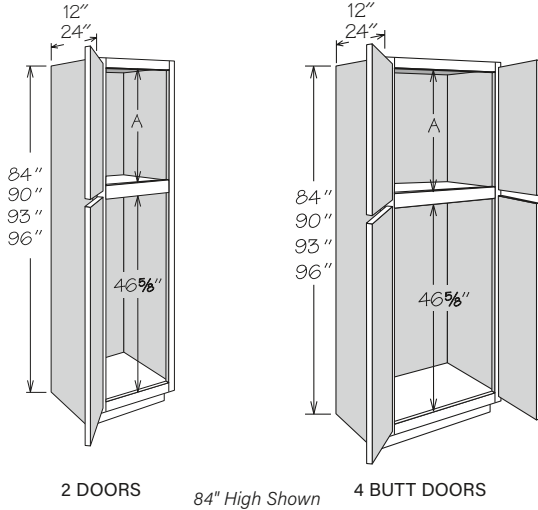
- Features 3/4" veneered engineered wood with both sides finished to match cabinet box exterior
- Recommend QM8 be ordered for installation to ensure proper attachment to wall
- Edge banded on front

34 1/2" HIGH
DEP

Tall Cabinets



Utility Cabinet



- Shelving and optional interior accessories may be ordered separately (refer to Utility Cabinet Accessories for details)
- Cabinet backs are pre-drilled to accept up to four Deep Roll Out Trays in lower section
- 4" inset toe kick assembly shipped inside 93" and 96" high cabinets, 33" wide x 93" high toe kicks ship as two pieces - seam will be visible between toe kick box and side of cabinet
- Two door cabinets must be ordered hinged left or right
- Specialty Door cabinets (SD) feature Matching Interior standard and require a specialty door selection
- Bottom doors will have a center rail for select door styles - refer to door style section

| |
|------|
| AH |
| APC |
| CFO |
| FE |
| MI ■ |
| PE |
| RD |

| | A |
|----------|----------------------------------|
| 84" High | 26 ⁷ / ₈ " |
| 90" High | 32 ⁷ / ₈ " |
| 93" High | 35 ⁷ / ₈ " |
| 96" High | 38 ⁷ / ₈ " |

2 DOORS • 12" DEEP

96" H

- UT1212 X 96 ■
- UT1512 X 96 ■
- UT1812 X 96 ■
- UT2112 X 96 ■
- UT1212 X 96 SD
- UT1512 X 96 SD
- UT1812 X 96 SD
- UT2112 X 96 SD

93" H

- UT1212 X 93 ■
- UT1512 X 93 ■
- UT1812 X 93 ■
- UT2112 X 93 ■
- UT1212 X 93 SD
- UT1512 X 93 SD
- UT1812 X 93 SD
- UT2112 X 93 SD

90" H

- UT1212 X 90 ■
- UT1512 X 90 ■
- UT1812 X 90 ■
- UT2112 X 90 ■
- UT1212 X 90 SD
- UT1512 X 90 SD
- UT1812 X 90 SD
- UT2112 X 90 SD

84" H

- UT1212 X 84 ■
- UT1512 X 84 ■
- UT1812 X 84 ■
- UT2112 X 84 ■
- UT1812 X 84 SD
- UT1212 X 84 SD
- UT1512 X 84 SD
- UT2112 X 84 SD

2 BUTT DOORS • 24" DEEP

96" H

- UT1224 X 96 ■
- UT1524 X 96 ■
- UT1824 X 96 ■
- UT2124 X 96 ■
- UT1224 X 96 SD
- UT1524 X 96 SD
- UT1824 X 96 SD
- UT2124 X 96 SD

93" H

- UT1224 X 93 ■
- UT1524 X 93 ■
- UT1824 X 93 ■
- UT2124 X 93 ■
- UT1224 X 93 SD
- UT1524 X 93 SD
- UT1824 X 93 SD
- UT2124 X 93 SD

90" H

- UT1224 X 90 ■
- UT1524 X 90 ■
- UT1824 X 90 ■
- UT2124 X 90 ■
- UT1224 X 90 SD
- UT1524 X 90 SD
- UT1824 X 90 SD
- UT2124 X 90 SD

84" H

- UT1224 X 84 ■
- UT1524 X 84 ■
- UT1824 X 84 ■
- UT2124 X 84 ■
- UT1224 X 84 SD
- UT1524 X 84 SD
- UT1824 X 84 SD
- UT2124 X 84 SD

4 BUTT DOORS • 12" DEEP

96" H

- UT2412 X 96 BUTT ■
- UT2412 X 96 BUTT SD

93" H

- UT2412 X 93 BUTT ■
- UT2412 X 93 BUTT SD

90" H

- UT2412 X 90 BUTT ■
- UT2412 X 90 BUTT SD

84" H

- UT2412 X 84 BUTT ■
- UT2412 X 84 BUTT SD

4 BUTT DOORS • 24" DEEP

96" H

- UT2424 X 96 BUTT ■
- UT2724 X 96 BUTT ■
- UT3024 X 96 BUTT ■
- UT3324 X 96 BUTT ■
- UT3624 X 96 BUTT ■
- UT2424 X 96 BUTT SD
- UT2724 X 96 BUTT SD
- UT3024 X 96 BUTT SD
- UT3324 X 96 BUTT SD
- UT3624 X 96 BUTT SD

93" H

- UT2424 X 93 BUTT ■
- UT2724 X 93 BUTT ■
- UT3024 X 93 BUTT ■
- UT3324 X 93 BUTT ■
- UT3624 X 93 BUTT ■
- UT2424 X 93 BUTT SD
- UT2724 X 93 BUTT SD
- UT3024 X 93 BUTT SD
- UT3324 X 93 BUTT SD
- UT3624 X 93 BUTT SD

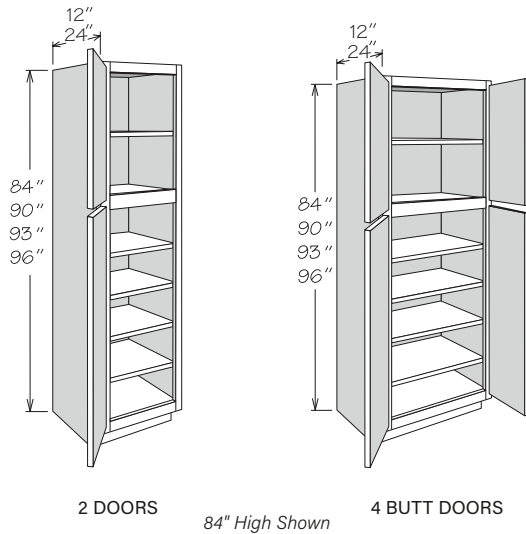
90" H

- UT2424 X 90 BUTT ■
- UT2724 X 90 BUTT ■
- UT3024 X 90 BUTT ■
- UT3324 X 90 BUTT ■
- UT3624 X 90 BUTT ■
- UT2424 X 90 BUTT SD
- UT2724 X 90 BUTT SD
- UT3024 X 90 BUTT SD
- UT3324 X 90 BUTT SD
- UT3624 X 90 BUTT SD

84" H

- UT2424 X 84 BUTT ■
- UT2724 X 84 BUTT ■
- UT3024 X 84 BUTT ■
- UT3324 X 84 BUTT ■
- UT3624 X 84 BUTT ■
- UT2424 X 84 BUTT SD
- UT2724 X 84 BUTT SD
- UT3024 X 84 BUTT SD
- UT3324 X 84 BUTT SD
- UT3624 X 84 BUTT SD

Utility Cabinet • Adjustable Shelves



- Bottom section features four adjustable shelves
- All shelving packaged separately for field installation
- 4" inset toe kick assembly shipped inside 93" and 96" high cabinets, 33" wide x 93" high toe kicks ship as two pieces - seam will be visible between toe kick box and side of cabinet
- Two door cabinets must be ordered hinged left or right
- Specialty Door cabinets (SD) feature Matching Interior standard and require a specialty door selection
- Bottom doors have a center rail for select door styles - refer to door style section

| |
|------|
| AH |
| APC |
| FE |
| MI ■ |
| PE |
| RD |

2 DOORS • 12" DEEP

96" H • 3 Top Shelves

UT1212 X 96 AS ■
 UT1512 X 96 AS ■
 UT1812 X 96 AS ■
 UT2112 X 96 AS ■
 UT1212 X 96 AS SD
 UT1512 X 96 AS SD
 UT1812 X 96 AS SD
 UT2112 X 96 AS SD

93" H • 3 Top Shelves

UT1212 X 93 AS ■
 UT1512 X 93 AS ■
 UT1812 X 93 AS ■
 UT2112 X 93 AS ■
 UT1212 X 93 AS SD
 UT1512 X 93 AS SD
 UT1812 X 93 AS SD
 UT2112 X 93 AS SD

2 DOORS • 24" DEEP

96" H • 3 Top Shelves

UT1224 X 96 AS ■
 UT1524 X 96 AS ■
 UT1824 X 96 AS ■
 UT2124 X 96 AS ■
 UT1224 X 96 AS SD
 UT1524 X 96 AS SD
 UT1824 X 96 AS SD
 UT2124 X 96 AS SD

93" H • 3 Top Shelves

UT1224 X 93 AS ■
 UT1524 X 93 AS ■
 UT1824 X 93 AS ■
 UT2124 X 93 AS ■
 UT1224 X 93 AS SD
 UT1524 X 93 AS SD
 UT1824 X 93 AS SD
 UT2124 X 93 AS SD

90" H • 2 Top Shelves

UT1212 X 90 AS ■
 UT1512 X 90 AS ■
 UT1812 X 90 AS ■
 UT2112 X 90 AS ■
 UT1212 X 90 AS SD
 UT1512 X 90 AS SD
 UT1812 X 90 AS SD
 UT2112 X 90 AS SD

84" H • 1 Top Shelf

UT1212 X 84 AS ■
 UT1512 X 84 AS ■
 UT1812 X 84 AS ■
 UT2112 X 84 AS ■
 UT1212 X 84 AS SD
 UT1512 X 84 AS SD
 UT1812 X 84 AS SD
 UT2112 X 84 AS SD

90" H • 2 Top Shelves

UT1224 X 90 AS ■
 UT1524 X 90 AS ■
 UT1824 X 90 AS ■
 UT2124 X 90 AS ■
 UT1224 X 90 AS SD
 UT1524 X 90 AS SD
 UT1824 X 90 AS SD
 UT2124 X 90 AS SD

84" H • 1 Top Shelf

UT1224 X 84 AS ■
 UT1524 X 84 AS ■
 UT1824 X 84 AS ■
 UT2124 X 84 AS ■
 UT1224 X 84 AS SD
 UT1524 X 84 AS SD
 UT1824 X 84 AS SD
 UT2124 X 84 AS SD

4 BUTT DOORS • 12" DEEP

96" H • 3 Top Shelves

UT2412 X 96 AS BUTT ■
 UT2412 X 96 AS BUTT SD

93" H • 3 Top Shelves

UT2412 X 93 AS BUTT ■
 UT2412 X 93 AS BUTT SD

4 BUTT DOORS • 24" DEEP

96" H • 3 Top Shelves

UT2424 X 96 AS BUTT ■
 UT2724 X 96 AS BUTT ■
 UT3024 X 96 AS BUTT ■
 UT3324 X 96 AS BUTT ■
 UT3624 X 96 AS BUTT ■
 UT2424 X 96 AS BUTT SD
 UT2724 X 96 AS BUTT SD
 UT3024 X 96 AS BUTT SD
 UT3324 X 96 AS BUTT SD
 UT3624 X 96 AS BUTT SD

93" H • 3 Top Shelves

UT2424 X 93 AS BUTT ■
 UT2724 X 93 AS BUTT ■
 UT3024 X 93 AS BUTT ■
 UT3324 X 93 AS BUTT ■
 UT3624 X 93 AS BUTT ■
 UT2424 X 93 AS BUTT SD
 UT2724 X 93 AS BUTT SD
 UT3024 X 93 AS BUTT SD
 UT3324 X 93 AS BUTT SD
 UT3624 X 93 AS BUTT SD

90" H • 2 Top Shelves

UT2412 X 90 AS BUTT ■
 UT2412 X 90 AS BUTT SD

84" H • 1 Top Shelf

UT2412 X 84 AS BUTT ■
 UT2412 X 84 AS BUTT SD

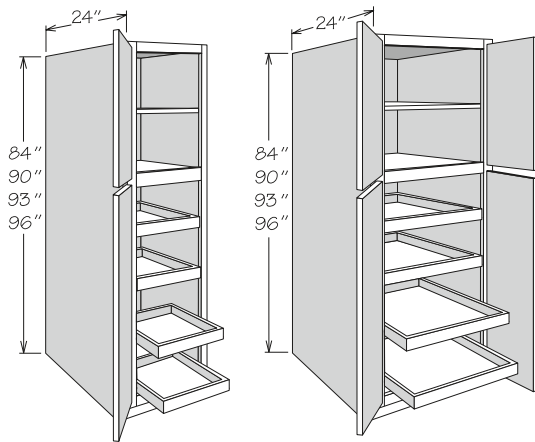
90" H • 2 Top Shelves

UT2424 X 90 AS BUTT ■
 UT2724 X 90 AS BUTT ■
 UT3024 X 90 AS BUTT ■
 UT3324 X 90 AS BUTT ■
 UT3624 X 90 AS BUTT ■
 UT2424 X 90 AS BUTT SD
 UT2724 X 90 AS BUTT SD
 UT3024 X 90 AS BUTT SD
 UT3324 X 90 AS BUTT SD
 UT3624 X 90 AS BUTT SD

84" H • 1 Top Shelf

UT2424 X 84 AS BUTT ■
 UT2724 X 84 AS BUTT ■
 UT3024 X 84 AS BUTT ■
 UT3324 X 84 AS BUTT ■
 UT3624 X 84 AS BUTT ■
 UT2424 X 84 AS BUTT SD
 UT2724 X 84 AS BUTT SD
 UT3024 X 84 AS BUTT SD
 UT3324 X 84 AS BUTT SD
 UT3624 X 84 AS BUTT SD

Utility Cabinet ■ Deep Roll Out Trays



2 DOORS

84" High Shown

4 BUTT DOORS

- Bottom section features four Deep Roll Out Trays
- All shelving and Deep Roll Out Trays packaged separately for field installation
- 4" inset toe kick assembly shipped inside 93" and 96" high cabinets, 33" wide x 93" high toe kicks ship as two pieces - seam will be visible between toe kick box and side of cabinet
- Two door cabinets must be ordered hinged left or right
- Specialty Door cabinets (SD) feature Matching Interior standard and require a specialty door selection
- Bottom doors have a center rail for select door styles - refer to door style section

| |
|------|
| AH |
| APC |
| FE |
| MI ■ |
| PE |
| RD |

2 DOORS

96" H ■ 3 Top Shelves

UT1224 X 96 4ROT ■
 UT1524 X 96 4ROT ■
 UT1824 X 96 4ROT ■
 UT2124 X 96 4ROT ■

UT1224 X 96 4ROT SD
 UT1524 X 96 4ROT SD
 UT1824 X 96 4ROT SD
 UT2124 X 96 4ROT SD

93" H ■ 3 Top Shelves

UT1224 X 93 4ROT ■
 UT1524 X 93 4ROT ■
 UT1824 X 93 4ROT ■
 UT2124 X 93 4ROT ■

UT1224 X 93 4ROT SD
 UT1524 X 93 4ROT SD
 UT1824 X 93 4ROT SD
 UT2124 X 93 4ROT SD

90" H ■ 2 Top Shelves

UT1224 X 90 4ROT ■
 UT1524 X 90 4ROT ■
 UT1824 X 90 4ROT ■
 UT2124 X 90 4ROT ■

UT1224 X 90 4ROT SD
 UT1524 X 90 4ROT SD
 UT1824 X 90 4ROT SD
 UT2124 X 90 4ROT SD

84" H ■ 1 Top Shelf

UT1224 X 84 4ROT ■
 UT1524 X 84 4ROT ■
 UT1824 X 84 4ROT ■
 UT2124 X 84 4ROT ■

UT1224 X 84 4ROT SD
 UT1524 X 84 4ROT SD
 UT1824 X 84 4ROT SD
 UT2124 X 84 4ROT SD

4 BUTT DOORS

96" H ■ 3 Top Shelves

UT2424 X 96 4ROT BUTT ■
 UT2724 X 96 4ROT BUTT ■
 UT3024 X 96 4ROT BUTT ■
 UT3324 X 96 4ROT BUTT ■
 UT3624 X 96 4ROT BUTT ■

UT2424 X 96 4ROT BUTT SD
 UT2724 X 96 4ROT BUTT SD
 UT3024 X 96 4ROT BUTT SD
 UT3324 X 96 4ROT BUTT SD
 UT3624 X 96 4ROT BUTT SD

93" H ■ 3 Top Shelves

UT2424 X 93 4ROT BUTT ■
 UT2724 X 93 4ROT BUTT ■
 UT3024 X 93 4ROT BUTT ■
 UT3324 X 93 4ROT BUTT ■
 UT3624 X 93 4ROT BUTT ■

UT2424 X 93 4ROT BUTT SD
 UT2724 X 93 4ROT BUTT SD
 UT3024 X 93 4ROT BUTT SD
 UT3324 X 93 4ROT BUTT SD
 UT3624 X 93 4ROT BUTT SD

90" H ■ 2 Top Shelves

UT2424 X 90 4ROT BUTT ■
 UT2724 X 90 4ROT BUTT ■
 UT3024 X 90 4ROT BUTT ■
 UT3324 X 90 4ROT BUTT ■
 UT3624 X 90 4ROT BUTT ■

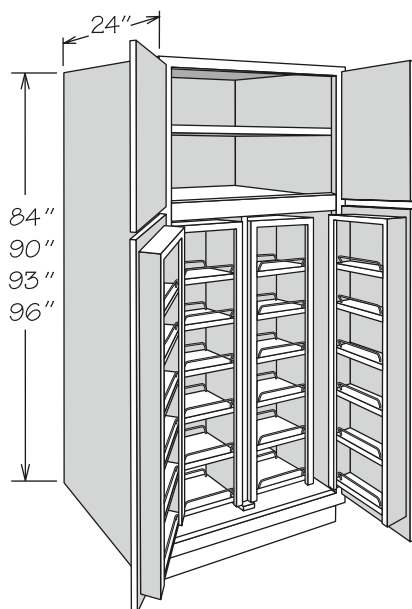
UT2424 X 90 4ROT BUTT SD
 UT2724 X 90 4ROT BUTT SD
 UT3024 X 90 4ROT BUTT SD
 UT3324 X 90 4ROT BUTT SD
 UT3624 X 90 4ROT BUTT SD

84" H ■ 1 Top Shelf

UT2424 X 84 4ROT BUTT ■
 UT2724 X 84 4ROT BUTT ■
 UT3024 X 84 4ROT BUTT ■
 UT3324 X 84 4ROT BUTT ■
 UT3624 X 84 4ROT BUTT ■

UT2424 X 84 4ROT BUTT SD
 UT2724 X 84 4ROT BUTT SD
 UT3024 X 84 4ROT BUTT SD
 UT3324 X 84 4ROT BUTT SD
 UT3624 X 84 4ROT BUTT SD

Utility Cabinet ■ 4 Butt Doors with Pantry Storage



84" High Shown

- Accessories and shelving packaged separately for field installation and include:
 - » Pantry Swing-Out Kit (PCSK36)
 - » Two Pantry Door Shelf Kits (PDSK18)
 - » Utility Cabinet Shelf and Pilaster Kit (PSK36)
- Full-depth adjustable shelves are 3/4" engineered wood and edge banded on front edge only
- 4" inset toe kick assembly shipped inside 93" and 96" high cabinets, 33" wide x 93" high toe kicks ship as two pieces - seam will be visible between toe kick box and side of cabinet
- Minimum filler width of 4 1/2" recommended for installation of this cabinet next to deeper adjacent objects including cabinets, walls, appliances, and countertops
- Specialty Door cabinets (SD) feature Matching Interior standard and require a specialty door selection
- Bottom doors have a center rail for select door styles - refer to door style section

| |
|------|
| AH |
| APC |
| FE |
| MI ■ |
| PE |

24" DEEP

96" H ■ 3 Top Shelves

UT3624 X 96 PCDS BUTT ■
 UT3624 X 96 PCDS BUTT SD

93" H ■ 3 Top Shelves

UT3624 X 93 PCDS BUTT ■
 UT3624 X 93 PCDS BUTT SD

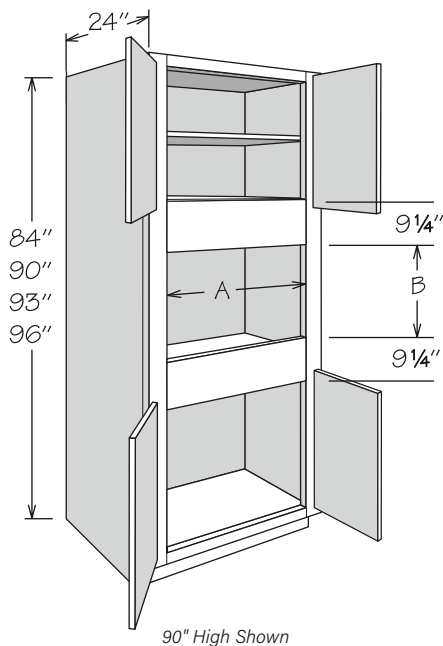
90" H ■ 2 Top Shelves

UT3624 X 90 PCDS BUTT ■
 UT3624 X 90 PCDS BUTT SD

84" H ■ 1 Top Shelf

UT3624 X 84 PCDS BUTT ■
 UT3624 X 84 PCDS BUTT SD

Single Oven Cabinet - 4 Butt Doors

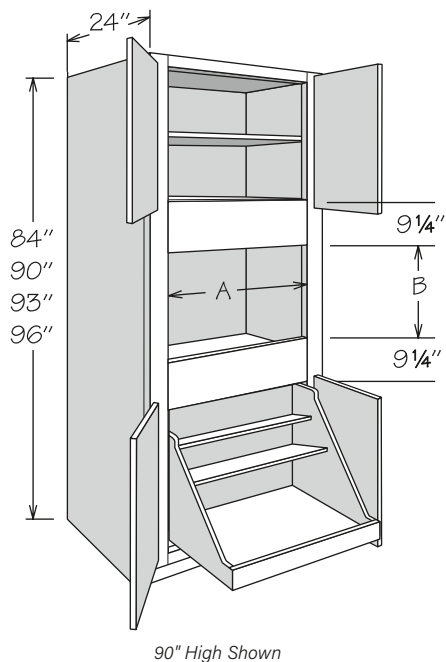


- Features a solid back
- 3/8" stiles
- All door styles feature self-closing face-mounted hidden hinges
- Shelf packaged separately for field installation
- 4" inset toe kick assembly shipped inside 93" and 96" high cabinets, 33" wide x 93" high toe kicks ship as two pieces - seam will be visible between toe kick box and side of cabinet
- Refer to appliance manufacturer's specifications for adequate clearances and required installation materials

| |
|-----|
| AH |
| APC |
| CFO |
| FE |
| RD |
| PE |

| | A ACTUAL | A MAX. | B ACTUAL | B MAX. |
|-----------------------------|-------------|-----------|-------------|-----------|
| 96"H - 2 Top Shelves | | | | |
| OVS2796 AS BUTT | 20 3/4" | 25" | 22 1/8" | 37 3/8" |
| OVS3096 AS BUTT | 23 3/4" | 28" | 22 1/8" | 37 3/8" |
| OVS3396 AS BUTT | 26 3/4" | 31" | 22 1/8" | 37 3/8" |
| 93"H - 2 Top Shelves | | | | |
| OVS2793 AS BUTT | 20 3/4" | 25" | 22 1/8" | 37 3/8" |
| OVS3093 AS BUTT | 23 3/4" | 28" | 22 1/8" | 37 3/8" |
| OVS3393 AS BUTT | 26 3/4" | 31" | 22 1/8" | 37 3/8" |
| 90"H - 1 Top Shelf | | | | |
| OVS2790 AS BUTT | 20 3/4" | 25" | 21 3/4" | 37" |
| OVS3090 AS BUTT | 23 3/4" | 28" | 21 3/4" | 37" |
| OVS3390 AS BUTT | 26 3/4" | 31" | 21 3/4" | 37" |
| 84"H - No Shelf | | | | |
| OVS2784 BUTT | 20 3/4" | 25" | 22 1/8" | 37 3/8" |
| OVS3084 BUTT | 23 3/4" | 28" | 22 1/8" | 37 3/8" |
| OVS3384 BUTT | 26 3/4" | 31" | 22 1/8" | 37 3/8" |

Single Oven Cabinet - 4 Butt Doors and Pot & Pan Organizer

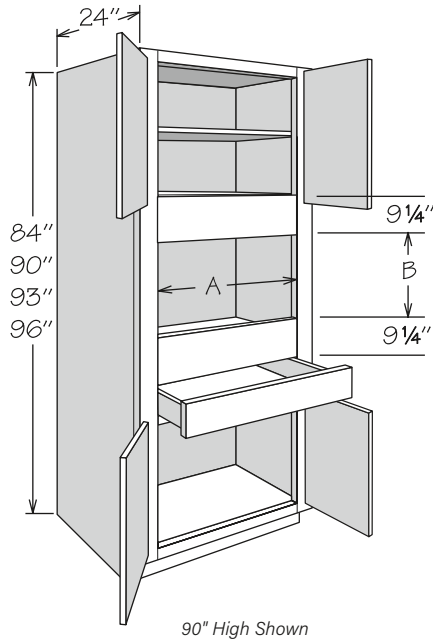


- Features a solid back
- 3/8" stiles
- All door styles feature self-closing face-mounted hidden hinges
- Shelving and Pot & Pan Organizer packaged separately for field installation
- Organizer features natural finish solid wood, wood veneer and dovetail (front only) construction with engineered wood bottom
- Organizer top shelf measures 6 5/8" deep
- Organizer middle shelf measures 9 3/4" deep
- 4" inset toe kick assembly shipped inside 93" and 96" high cabinets, 33" wide x 93" high toe kicks ship as two pieces - seam will be visible between toe kick box and side of cabinet
- Refer to appliance manufacturer's specifications for adequate clearances and required installation materials

| |
|-----|
| APC |
| FE |
| PE |

| | A ACTUAL | A MAX. | B ACTUAL | B MAX. |
|-----------------------------|-------------|-----------|-------------|-----------|
| 96"H - 2 Top Shelves | | | | |
| OVS2796 BUTT BPPO | 20 3/4" | 25" | 22 1/8" | 37 3/8" |
| OVS3096 BUTT BPPO | 23 3/4" | 28" | 22 1/8" | 37 3/8" |
| OVS3396 BUTT BPPO | 26 3/4" | 31" | 22 1/8" | 37 3/8" |
| 93"H - 2 Top Shelves | | | | |
| OVS2793 BUTT BPPO | 20 3/4" | 25" | 22 1/8" | 37 3/8" |
| OVS3093 BUTT BPPO | 23 3/4" | 28" | 22 1/8" | 37 3/8" |
| OVS3393 BUTT BPPO | 26 3/4" | 31" | 22 1/8" | 37 3/8" |
| 90"H - 1 Top Shelf | | | | |
| OVS2790 BUTT BPPO | 20 3/4" | 25" | 21 3/4" | 37" |
| OVS3090 BUTT BPPO | 23 3/4" | 28" | 21 3/4" | 37" |
| OVS3390 BUTT BPPO | 26 3/4" | 31" | 21 3/4" | 37" |
| 84"H - No Shelf | | | | |
| OVS2784 BUTT BPPO | 20 3/4" | 25" | 22 1/8" | 37 3/8" |
| OVS3084 BUTT BPPO | 23 3/4" | 28" | 22 1/8" | 37 3/8" |
| OVS3384 BUTT BPPO | 26 3/4" | 31" | 22 1/8" | 37 3/8" |

Single Oven Cabinet - 4 Butt Doors and 1 Drawer

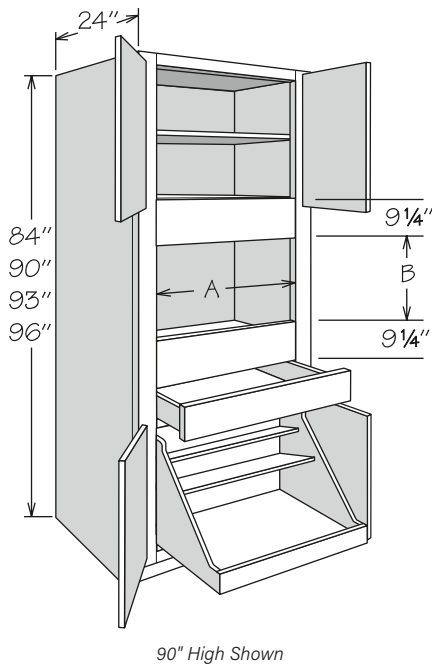


- Features a solid back
- 3/8" stiles
- All door styles feature self-closing face-mounted hidden hinges
- One standard drawer
- Shelf packaged separately for field installation
- 4" inset toe kick assembly shipped inside 93" and 96" high cabinets, 33" wide x 93" high toe kicks ship as two pieces - seam will be visible between toe kick box and side of cabinet
- Refer to appliance manufacturer's specifications for adequate clearances and required installation materials

| |
|-----|
| AH |
| APC |
| CFO |
| FE |
| PE |
| RD |

| | A ACTUAL | A MAX. | B ACTUAL | B MAX. |
|-----------------------------|-------------|-----------|-------------|-----------|
| 96"H - 2 Top Shelves | | | | |
| OVS2796 AS BUTT 1DWR | 20 3/4" | 25" | 16 1/8" | 31 3/8" |
| OVS3096 AS BUTT 1DWR | 23 3/4" | 28" | 16 1/8" | 31 3/8" |
| OVS3396 AS BUTT 1DWR | 26 3/4" | 31" | 16 1/8" | 31 3/8" |
| 93"H - 2 Top Shelves | | | | |
| OVS2793 AS BUTT 1DWR | 20 3/4" | 25" | 16 1/8" | 31 3/8" |
| OVS3093 AS BUTT 1DWR | 23 3/4" | 28" | 16 1/8" | 31 3/8" |
| OVS3393 AS BUTT 1DWR | 26 3/4" | 31" | 16 1/8" | 31 3/8" |
| 90"H - 1 Top Shelf | | | | |
| OVS2790 AS BUTT 1DWR | 20 3/4" | 25" | 15 3/4" | 31" |
| OVS3090 AS BUTT 1DWR | 23 3/4" | 28" | 15 3/4" | 31" |
| OVS3390 AS BUTT 1DWR | 26 3/4" | 31" | 15 3/4" | 31" |
| 84"H - No Shelf | | | | |
| OVS2784 BUTT 1DWR | 20 3/4" | 25" | 16 1/8" | 31 3/8" |
| OVS3084 BUTT 1DWR | 23 3/4" | 28" | 16 1/8" | 31 3/8" |
| OVS3384 BUTT 1DWR | 26 3/4" | 31" | 16 1/8" | 31 3/8" |

Single Oven Cabinet - 4 Butt Doors, 1 Drawer and Pot & Pan Organizer

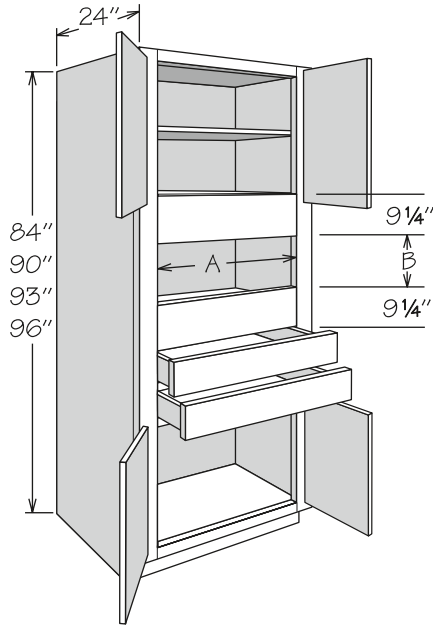


- Features a solid back
- 3/8" stiles
- All door styles feature self-closing face-mounted hidden hinges
- Full-depth adjustable shelves and 3/4" engineered wood and edge banded on front edge only
- Shelving and Pot & Pan Organizer packaged separately for field installation
- Organizer features natural finish solid wood, wood veneer and dovetail (front only) construction with engineered wood bottom
- Organizer top shelf measures 6 3/16" deep
- Organizer middle shelf measures 9 3/4" deep
- 4" inset toe kick assembly shipped inside 93" and 96" high cabinets, 33" wide x 93" high toe kicks ship as two pieces - seam will be visible between toe kick box and side of cabinet
- Refer to appliance manufacturer's specifications for adequate clearances and required installation materials

| |
|-----|
| APC |
| FE |
| PE |

| | A ACTUAL | A MAX. | B ACTUAL | B MAX. |
|-----------------------------|-------------|-----------|-------------|-----------|
| 96"H - 2 Top Shelves | | | | |
| OVS2796 BUTT 1DWR BPPO | 20 3/4" | 25" | 16 1/8" | 31 3/8" |
| OVS3096 BUTT 1DWR BPPO | 23 3/4" | 28" | 16 1/8" | 31 3/8" |
| OVS3396 BUTT 1DWR BPPO | 26 3/4" | 31" | 16 1/8" | 31 3/8" |
| 93"H - 2 Top Shelves | | | | |
| OVS2793 BUTT 1DWR BPPO | 20 3/4" | 25" | 16 1/8" | 31 3/8" |
| OVS3093 BUTT 1DWR BPPO | 23 3/4" | 28" | 16 1/8" | 31 3/8" |
| OVS3393 BUTT 1DWR BPPO | 26 3/4" | 31" | 16 1/8" | 31 3/8" |
| 90"H - 1 Top Shelf | | | | |
| OVS2790 BUTT 1DWR BPPO | 20 3/4" | 25" | 15 3/4" | 31" |
| OVS3090 BUTT 1DWR BPPO | 23 3/4" | 28" | 15 3/4" | 31" |
| OVS3390 BUTT 1DWR BPPO | 26 3/4" | 31" | 15 3/4" | 31" |
| 84"H - No Shelf | | | | |
| OVS2784 BUTT 1DWR BPPO | 20 3/4" | 25" | 16 1/8" | 31 3/8" |
| OVS3084 BUTT 1DWR BPPO | 23 3/4" | 28" | 16 1/8" | 31 3/8" |
| OVS3384 BUTT 1DWR BPPO | 26 3/4" | 31" | 16 1/8" | 31 3/8" |

Single Oven Cabinet - 4 Butt Doors and 2 Drawers



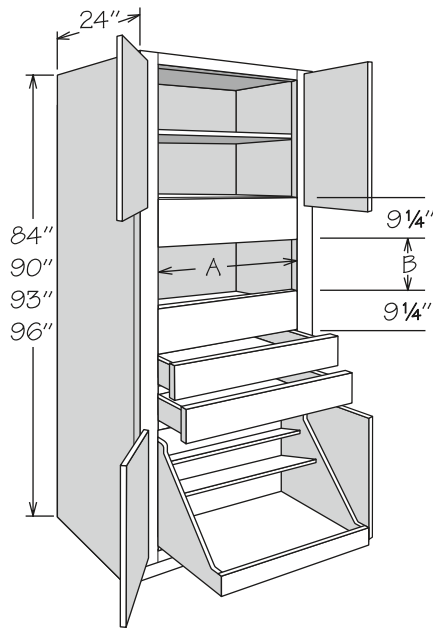
90" High Shown

- Features a solid back
- 3/8" stiles
- All door styles feature self-closing face-mounted hidden hinges
- Two standard drawers
- Shelf packaged separately for field installation
- 4" inset toe kick assembly shipped inside 93" and 96" high cabinets, 33" wide x 93" high toe kicks ship as two pieces - seam will be visible between toe kick box and side of cabinet
- Refer to appliance manufacturer's specifications for adequate clearances and required installation materials

| |
|-----|
| AH |
| APC |
| CFO |
| FE |
| PE |
| RD |

| | A ACTUAL | A MAX. | B ACTUAL | B MAX. |
|-----------------------------|-------------|-----------|-------------|-----------|
| 96"H - 2 Top Shelves | | | | |
| OVS2796 AS BUTT 2DWR | 20 3/4" | 25" | 10 1/8" | 25 3/8" |
| OVS3096 AS BUTT 2DWR | 23 3/4" | 28" | 10 1/8" | 25 3/8" |
| OVS3396 AS BUTT 2DWR | 26 3/4" | 31" | 10 1/8" | 25 3/8" |
| 93"H - 2 Top Shelves | | | | |
| OVS2793 AS BUTT 2DWR | 20 3/4" | 25" | 10 1/8" | 25 3/8" |
| OVS3093 AS BUTT 2DWR | 23 3/4" | 28" | 10 1/8" | 25 3/8" |
| OVS3393 AS BUTT 2DWR | 26 3/4" | 31" | 10 1/8" | 25 3/8" |
| 90"H - 1 Top Shelf | | | | |
| OVS2790 AS BUTT 2DWR | 20 3/4" | 25" | 9 3/4" | 25" |
| OVS3090 AS BUTT 2DWR | 23 3/4" | 28" | 9 3/4" | 25" |
| OVS3390 AS BUTT 2DWR | 26 3/4" | 31" | 9 3/4" | 25" |
| 84"H - No Shelf | | | | |
| OVS2784 BUTT 2DWR | 20 3/4" | 25" | 10 1/8" | 25 3/8" |
| OVS3084 BUTT 2DWR | 23 3/4" | 28" | 10 1/8" | 25 3/8" |
| OVS3384 BUTT 2DWR | 26 3/4" | 31" | 10 1/8" | 25 3/8" |

Single Oven Cabinet - 4 Butt Doors, 2 Drawers and Pot & Pan Organizer



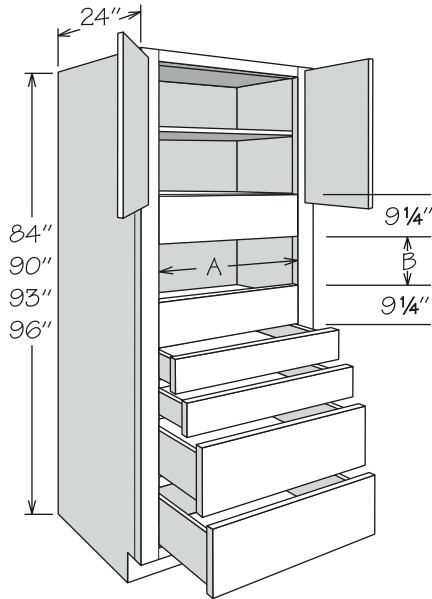
90" High Shown

- Features a solid back
- 3/8" stiles
- All door styles feature self-closing face-mounted hidden hinges
- Two standard drawers
- Shelving and Pot & Pan Organizer packaged separately for field installation
- Organizer features natural finish solid wood, wood veneer and dovetail (front only) construction with engineered wood bottom
- Organizer top shelf measures 6 3/8" deep
- Organizer middle shelf measures 9 3/4" deep
- 4" inset toe kick assembly shipped inside 93" and 96" high cabinets, 33" wide x 93" high toe kicks ship as two pieces - seam will be visible between toe kick box and side of cabinet
- Refer to appliance manufacturer's specifications for adequate clearances and required installation materials

| |
|-----|
| APC |
| FE |
| PE |

| | A ACTUAL | A MAX. | B ACTUAL | B MAX. |
|-----------------------------|-------------|-----------|-------------|-----------|
| 96"H - 2 Top Shelves | | | | |
| OVS2796 BUTT 2DWR BPPO | 20 3/4" | 25" | 10 1/8" | 25 3/8" |
| OVS3096 BUTT 2DWR BPPO | 23 3/4" | 28" | 10 1/8" | 25 3/8" |
| OVS3396 BUTT 2DWR BPPO | 26 3/4" | 31" | 10 1/8" | 25 3/8" |
| 93"H - 2 Top Shelves | | | | |
| OVS2793 BUTT 2DWR BPPO | 20 3/4" | 25" | 10 1/8" | 25 3/8" |
| OVS3093 BUTT 2DWR BPPO | 23 3/4" | 28" | 10 1/8" | 25 3/8" |
| OVS3393 BUTT 2DWR BPPO | 26 3/4" | 31" | 10 1/8" | 25 3/8" |
| 90"H - 1 Top Shelf | | | | |
| OVS2790 BUTT 2DWR BPPO | 20 3/4" | 25" | 9 3/4" | 25" |
| OVS3090 BUTT 2DWR BPPO | 23 3/4" | 28" | 9 3/4" | 25" |
| OVS3390 BUTT 2DWR BPPO | 26 3/4" | 31" | 9 3/4" | 25" |
| 84"H - No Shelf | | | | |
| OVS2784 BUTT 2DWR BPPO | 20 3/4" | 25" | 10 1/8" | 25 3/8" |
| OVS3084 BUTT 2DWR BPPO | 23 3/4" | 28" | 10 1/8" | 25 3/8" |
| OVS3384 BUTT 2DWR BPPO | 26 3/4" | 31" | 10 1/8" | 25 3/8" |

Single Oven Cabinet • 2 Butt Doors and 4 Drawers



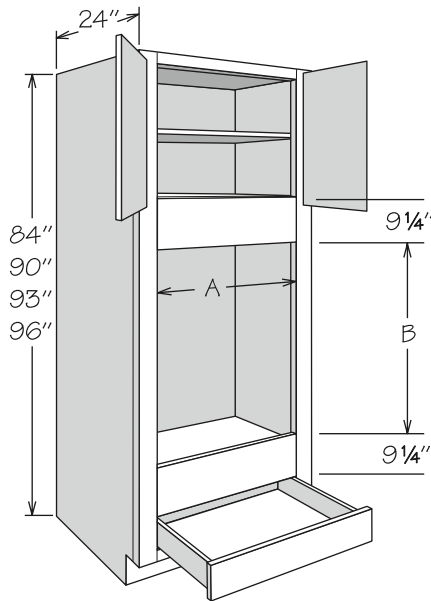
90" High Shown

- Features a solid back
- 3/8" stiles
- All door styles feature self-closing face-mounted hidden hinges
- Two standard and two large drawers
- Shelf packaged separately for field installation
- 4" inset toe kick assembly shipped inside 93" and 96" high cabinets, 33" wide x 93" high toe kicks ship as two pieces - seam will be visible between toe kick box and side of cabinet
- Refer to appliance manufacturer's specifications for adequate clearances and required installation materials

| |
|-----|
| AH |
| APC |
| CFO |
| FE |
| PE |
| RD |

| | A ACTUAL | A MAX. | B ACTUAL | B MAX. |
|-----------------------------|-------------|-----------|-------------|-----------|
| 96"H • 2 Top Shelves | | | | |
| OVS2796 AS BUTT 4DWR | 20 3/4" | 25" | 10 1/8" | 25 3/8" |
| OVS3096 AS BUTT 4DWR | 23 3/4" | 28" | 10 1/8" | 25 3/8" |
| OVS3396 AS BUTT 4DWR | 26 3/4" | 31" | 10 1/8" | 25 3/8" |
| 93"H • 2 Top Shelves | | | | |
| OVS2793 AS BUTT 4DWR | 20 3/4" | 25" | 10 1/8" | 25 3/8" |
| OVS3093 AS BUTT 4DWR | 23 3/4" | 28" | 10 1/8" | 25 3/8" |
| OVS3393 AS BUTT 4DWR | 26 3/4" | 31" | 10 1/8" | 25 3/8" |
| 90"H • 1 Top Shelf | | | | |
| OVS2790 AS BUTT 4DWR | 20 3/4" | 25" | 9 3/4" | 25" |
| OVS3090 AS BUTT 4DWR | 23 3/4" | 28" | 9 3/4" | 25" |
| OVS3390 AS BUTT 4DWR | 26 3/4" | 31" | 9 3/4" | 25" |
| 84"H • No Shelf | | | | |
| OVS2784 BUTT 4DWR | 20 3/4" | 25" | 10 1/8" | 25 3/8" |
| OVS3084 BUTT 4DWR | 23 3/4" | 28" | 10 1/8" | 25 3/8" |
| OVS3384 BUTT 4DWR | 26 3/4" | 31" | 10 1/8" | 25 3/8" |

Double Oven Cabinet • 2 Butt Doors and 1 Drawer



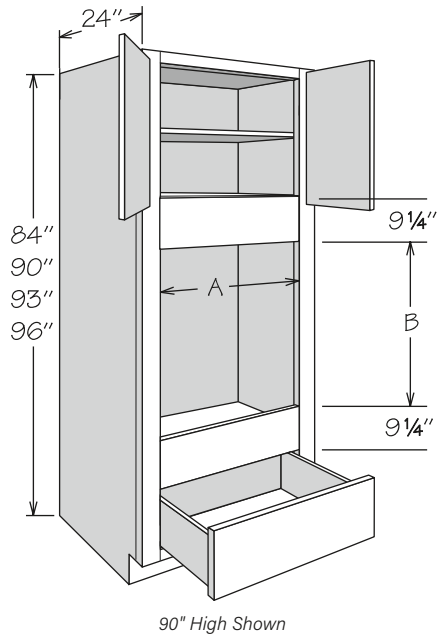
90" High Shown

- Features a solid back
- 3/8" stiles
- One standard drawer
- All door styles feature self-closing face-mounted hidden hinges
- Shelf packaged separately for field installation
- 4" inset toe kick assembly shipped inside 93" and 96" high cabinets, 33" wide x 93" high toe kicks ship as two pieces - seam will be visible between toe kick box and side of cabinet
- Refer to appliance manufacturer's specifications for adequate clearances and required installation materials

| |
|-----|
| AH |
| APC |
| CFO |
| FE |
| PE |
| RD |

| | A ACTUAL | A MAX. | B ACTUAL | B MAX. |
|-----------------------------|-------------|-----------|-------------|-----------|
| 96"H • 2 Top Shelves | | | | |
| OVD2796 AS BUTT | 20 3/4" | 25" | 39" | 54 1/4" |
| OVD3096 AS BUTT | 23 3/4" | 28" | 39" | 54 1/4" |
| OVD3396 AS BUTT | 26 3/4" | 31" | 39" | 54 1/4" |
| 93"H • 2 Top Shelves | | | | |
| OVD2793 AS BUTT | 20 3/4" | 25" | 39" | 54 1/4" |
| OVD3093 AS BUTT | 23 3/4" | 28" | 39" | 54 1/4" |
| OVD3393 AS BUTT | 26 3/4" | 31" | 39" | 54 1/4" |
| 90"H • 1 Top Shelf | | | | |
| OVD2790 AS BUTT | 20 3/4" | 25" | 38 5/8" | 53 7/8" |
| OVD3090 AS BUTT | 23 3/4" | 28" | 38 5/8" | 53 7/8" |
| OVD3390 AS BUTT | 26 3/4" | 31" | 38 5/8" | 53 7/8" |
| 84"H • No Shelf | | | | |
| OVD2784 BUTT | 20 3/4" | 25" | 39" | 54 1/4" |
| OVD3084 BUTT | 23 3/4" | 28" | 39" | 54 1/4" |
| OVD3384 BUTT | 26 3/4" | 31" | 39" | 54 1/4" |

Double Oven Cabinet - 2 Butt Doors and 1 Large Drawer

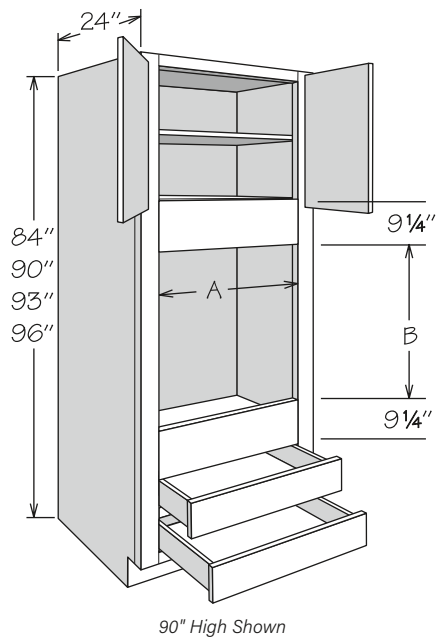


- Features a solid back
- 3/8" stiles
- All door styles feature self-closing face-mounted hidden hinges
- One large drawer
- Shelf packaged separately for field installation
- 4" inset toe kick assembly shipped inside 93" and 96" high cabinets, 33" wide x 93" high toe kicks ship as two pieces - seam will be visible between toe kick box and side of cabinet
- Refer to appliance manufacturer's specifications for adequate clearances and required installation materials

| |
|-----|
| AH |
| APC |
| CFO |
| FE |
| PE |
| RD |

| | A ACTUAL | A MAX. | B ACTUAL | B MAX. |
|-----------------------------|-------------|-----------|-------------|-----------|
| 96"H - 2 Top Shelves | | | | |
| OVD2796 AS BUTT 1DDWR | 20 3/4" | 25" | 33 9/16" | 48 13/16" |
| OVD3096 AS BUTT 1DDWR | 23 3/4" | 28" | 33 9/16" | 48 13/16" |
| OVD3396 AS BUTT 1DDWR | 26 3/4" | 31" | 33 9/16" | 48 13/16" |
| 93"H - 2 Top Shelves | | | | |
| OVD2793 AS BUTT 1DDWR | 20 3/4" | 25" | 33 9/16" | 48 13/16" |
| OVD3093 AS BUTT 1DDWR | 23 3/4" | 28" | 33 9/16" | 48 13/16" |
| OVD3393 AS BUTT 1DDWR | 26 3/4" | 31" | 33 9/16" | 48 13/16" |
| 90"H - 1 Top Shelf | | | | |
| OVD2790 AS BUTT 1DDWR | 20 3/4" | 25" | 33 7/16" | 48 7/16" |
| OVD3090 AS BUTT 1DDWR | 23 3/4" | 28" | 33 7/16" | 48 7/16" |
| OVD3390 AS BUTT 1DDWR | 26 3/4" | 31" | 33 7/16" | 48 7/16" |
| 84"H - No Shelf | | | | |
| OVD2784 BUTT 1DDWR | 20 3/4" | 25" | 33 9/16" | 48 13/16" |
| OVD3084 BUTT 1DDWR | 23 3/4" | 28" | 33 9/16" | 48 13/16" |
| OVD3384 BUTT 1DDWR | 26 3/4" | 31" | 33 9/16" | 48 13/16" |

Double Oven Cabinet - 2 Butt Doors and 2 Drawers

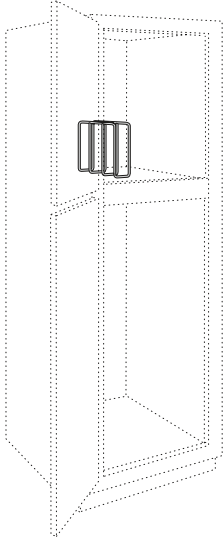


- Features a solid back
- 3/8" stiles
- All door styles feature self-closing face-mounted hidden hinges
- Two standard drawers
- Shelf packaged separately for field installation
- 4" inset toe kick assembly shipped inside 93" and 96" high cabinets, 33" wide x 93" high toe kicks ship as two pieces - seam will be visible between toe kick box and side of cabinet
- Refer to appliance manufacturer's specifications for adequate clearances and required installation materials

| |
|-----|
| APC |
| CFO |
| FE |
| PE |
| RD |

| | A ACTUAL | A MAX. | B ACTUAL | B MAX. |
|-----------------------------|-------------|-----------|-------------|-----------|
| 96"H - 2 Top Shelves | | | | |
| OVD2796 AS BUTT 2DWR | 20 3/4" | 25" | 33" | 48 1/4" |
| OVD3096 AS BUTT 2DWR | 23 3/4" | 28" | 33" | 48 1/4" |
| OVD3396 AS BUTT 2DWR | 26 3/4" | 31" | 33" | 48 1/4" |
| 93"H - 2 Top Shelves | | | | |
| OVD2793 AS BUTT 2DWR | 20 3/4" | 25" | 33" | 48 1/4" |
| OVD3093 AS BUTT 2DWR | 23 3/4" | 28" | 33" | 48 1/4" |
| OVD3393 AS BUTT 2DWR | 26 3/4" | 31" | 33" | 48 1/4" |
| 90"H - 1 Top Shelf | | | | |
| OVD2790 AS BUTT 2DWR | 20 3/4" | 25" | 32 5/8" | 47 7/8" |
| OVD3090 AS BUTT 2DWR | 23 3/4" | 28" | 32 5/8" | 47 7/8" |
| OVD3390 AS BUTT 2DWR | 26 3/4" | 31" | 32 5/8" | 47 7/8" |
| 84"H - No Shelf | | | | |
| OVD2784 BUTT 2DWR | 20 3/4" | 25" | 33" | 48 1/4" |
| OVD3084 BUTT 2DWR | 23 3/4" | 28" | 33" | 48 1/4" |
| OVD3384 BUTT 2DWR | 26 3/4" | 31" | 33" | 48 1/4" |

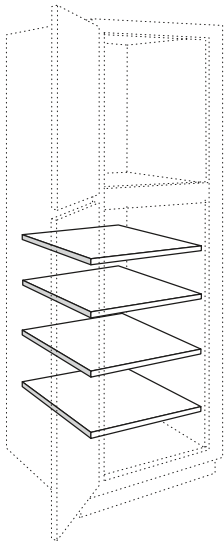
Cabinet Tray Divider



- Field installation accessory
- Chrome finish
- Mounting hardware included
- Overall dimensions: 2 $\frac{7}{8}$ " wide x 9 $\frac{5}{8}$ " high x 11 $\frac{3}{4}$ " deep
- Order Cabinet Tray Dividers individually
- For use in 24" deep cabinets or cabinets with RD-23 through RD-14

 TD3

Adjustable Shelves



- Field installation accessory
- $\frac{3}{4}$ " engineered wood in a natural finish
- Edge banded on front edge only
- CLIP LOCK shelf rests included

| |
|-----|
| APC |
| MI |
| RD |

ADJUSTABLE SHELF
12" Deep

S1212
S1512
S1812
S2112
S2412
S3612

24" Deep

S1224
S1524
S1824
S2124
S2424
S2724
S3024
S3324
S3624

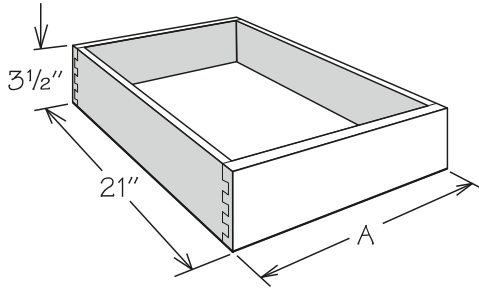
4 PACK SHELF KIT
12" Deep

SK1212
SK1512
SK1812
SK2112
SK2412
SK3612

24" Deep

SK1224
SK1524
SK1824
SK2124
SK2424
SK2724
SK3024
SK3324
SK3624

Deep Roll Out Trays

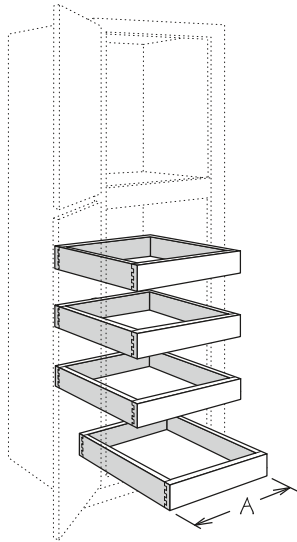


- Field installation accessory
- Natural finish dovetail drawer with engineered wood bottom
- Includes tray, all glide hardware and installation instructions

RD

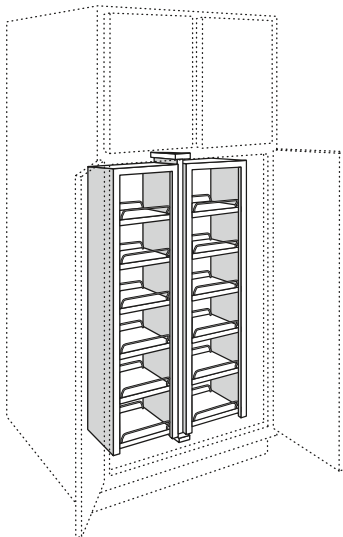
OVEN SIZE

| | |
|--------|-------|
| DROT24 | OVS27 |
| DROT27 | OVS30 |
| DROT30 | OVS33 |



| SINGLE DEEP ROLL OUT TRAY KIT | 4 PACK DEEP ROLL OUT TRAY KIT | A |
|-------------------------------|-------------------------------|---------|
| DROT12 | DROT12-4K | 7 3/4" |
| DROT15 | DROT15-4K | 10 3/4" |
| DROT18 | DROT18-4K | 13 3/4" |
| DROT21 | DROT21-4K | 16 3/4" |
| DROT24 | DROT24-4K | 19 3/4" |
| DROT27 | DROT27-4K | 22 3/4" |
| DROT30 | DROT30-4K | 25 3/4" |
| DROT33 | DROT33-4K | 28 3/4" |
| DROT36 | DROT36-4K | 31 3/4" |

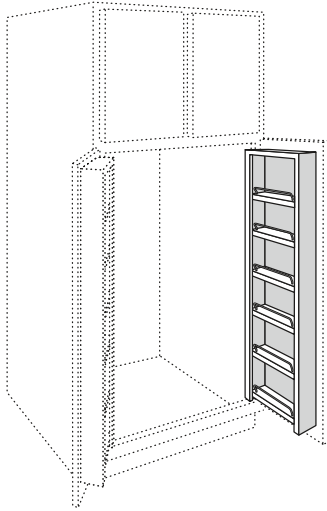
Pantry Swing-Out Kit



- Field installation accessory
- For use inside UT3624
- Can be used with PDSK18 and/or PSK36
- Natural finish unit features two fixed and ten adjustable shelves with chrome rails
- Overall dimensions: 25 5/8" wide x 45" high x 7 1/2" deep
- Not sized to fit reduced depth cabinets
- Minimum filler width of 4 1/2" recommended for installation of this accessory next to deeper adjacent objects including cabinets, walls, appliances, and countertops

PCSK36

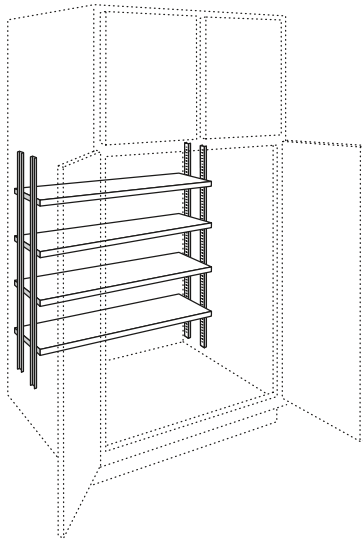
Pantry Door Shelf Kit



- Field installation accessory
- For use inside UT1824 or UT3624
- Order each door unit separately
- Can be used with PCSK36 and/or PSK36
- Natural finish unit features one fixed and five adjustable shelves with chrome rails
- Overall dimensions: 12" wide x 45" high x 4" deep
- Not sized to fit reduced depth cabinets
- Minimum filler width of 4½" recommended for installation of this accessory next to deeper adjacent objects including cabinets, walls, appliances, and countertops

PDSK18

Shelf & Pilaster Kit

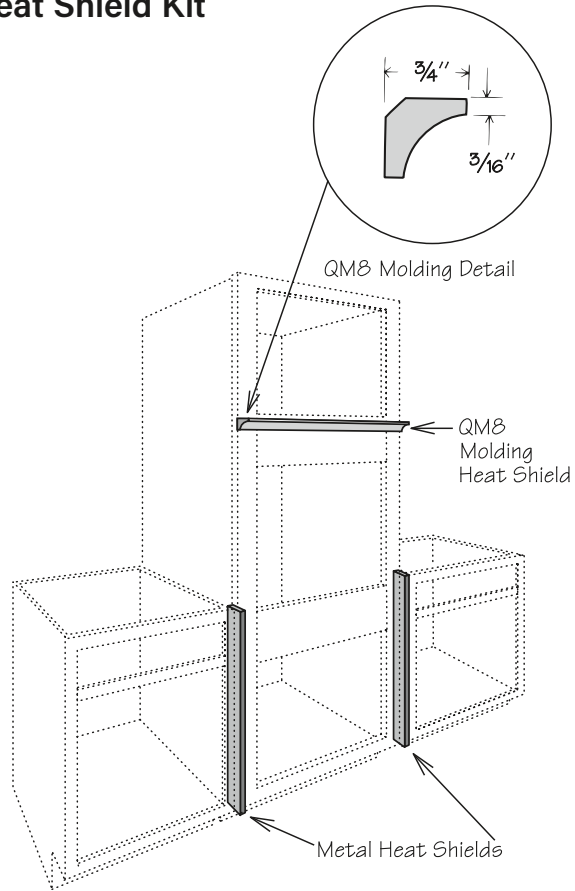


- Field installation accessory
- Kit includes four 9" deep shelves edge banded on front edge only, four 36" zinc pilasters, screws, and installation instructions
- For use inside UT3624
- Field trimmable for use inside UT1824
- Can be used with PCSK36 and/or PDSK18

| |
|-----|
| APC |
| RD |

PSK36

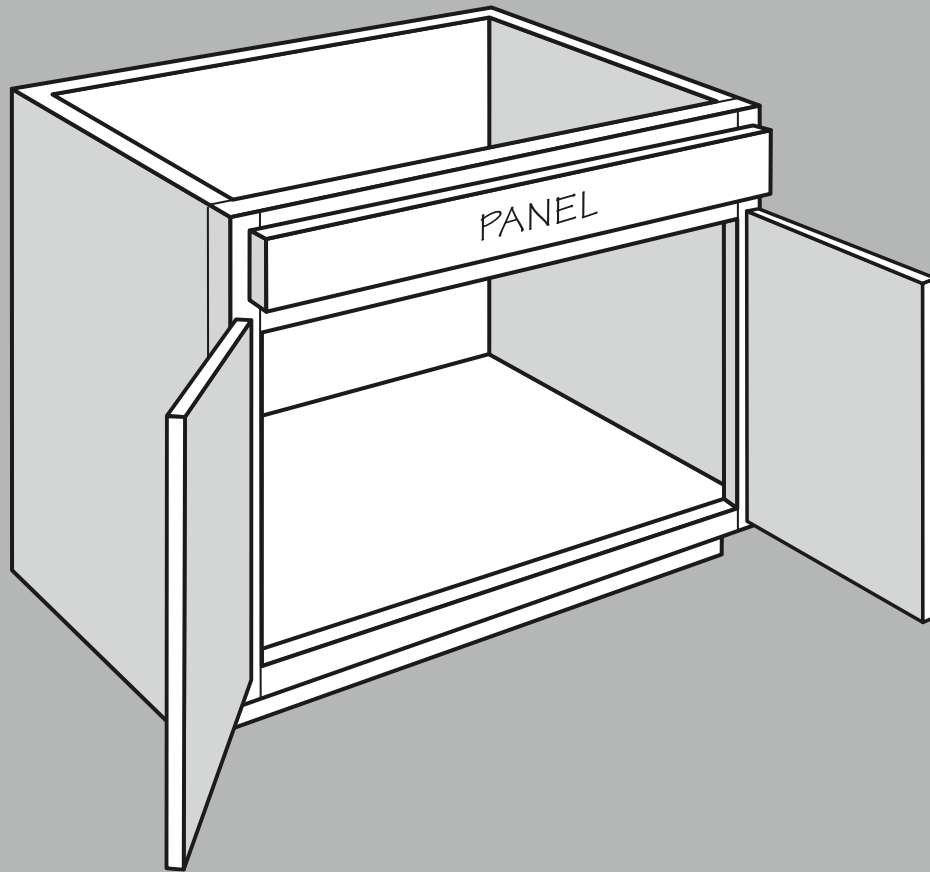
Heat Shield Kit



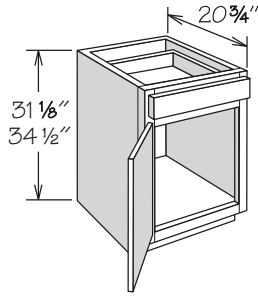
- Field installation accessory
- For use as heat shield on Portola Duraform
- Protects doors and drawer fronts from adjacent heat source (built-in ovens, under counter ovens, drop-in or free-standing ranges)
- Kit features:
 - Two 1/16" metal heat shields finished to match cabinet box exterior
 - One strip of QM8 molding shield finished to match cabinet box exterior

HSK

Vanity Cabinets



Vanity Base ■ 1 Door and 1 Drawer



- No shelf
- Door is hinged left and can be reversed in the field
- Not drilled for adjustable shelf

| |
|------|
| AH ■ |
| APC |
| CFO |
| FE |
| PE |
| RD |
| RTK |

34 1/2" HIGH

- VB1234H ■
- VB1534H ■
- VB1834H ■
- VB2134H ■

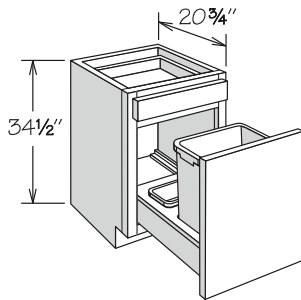
31 1/8" HIGH

- VB12
- VB15
- VB18
- VB21

Vanity Base Cabinet ■ 1 Drawer and 1 Door with Wastebasket Pull-Out

NEW!

UPDATE



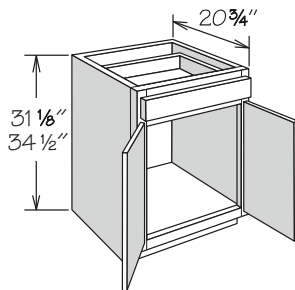
- **UPDATE:** Drawer and Pull-Out now features CushionClose standard (XCDW no longer available)
- Wastebasket rests in a natural finish wood frame
- Wastebasket pull-out features heavy-duty, 100-pound rated CushionClose glides
- Features one silver plastic 35-quart capacity bin and bag storage tray at rear (not dishwasher safe)
- Decorative hardware strongly recommended

| |
|-----|
| AH |
| APC |
| FE |
| PE |
| RTK |

34 1/2" HIGH

- VWBB1834H

Vanity Base ■ 2 Butt Doors and 1 Drawer



- No shelf
- Not drilled for adjustable shelf

| |
|------|
| AH ■ |
| APC |
| CFO |
| FE |
| PE |
| RD |
| RTK |

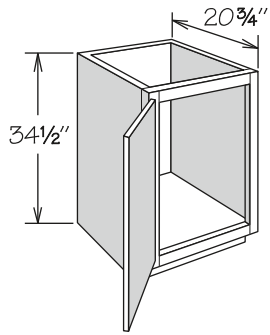
34 1/2" HIGH

- VB2434H BUTT ■
- VB2734H BUTT ■
- VB3034H BUTT ■
- VB3334H BUTT ■
- VB3634H BUTT ■

31 1/8" HIGH

- VB24 BUTT
- VB27 BUTT
- VB30 BUTT
- VB33 BUTT
- VB36 BUTT

Vanity Full-Height Base - 1 Door



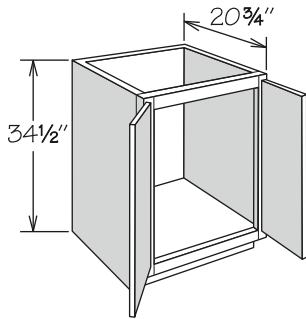
- Full-height door
- No shelf
- Not drilled for adjustable shelf
- Door is hinged left and can be reversed in the field

| |
|-----|
| AH |
| APC |
| CFO |
| FE |
| PE |
| RD |
| RTK |

34 1/2" HIGH

VB1234H FH
VB1534H FH
VB1834H FH
VB2134H FH

Vanity Full-Height Base - 2 Butt Doors



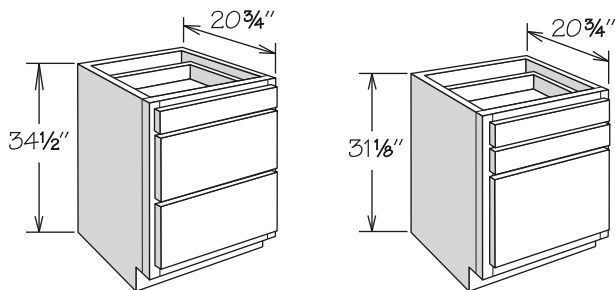
- Full-height doors
- No shelf
- Not drilled for adjustable shelf

| |
|-----|
| AH |
| APC |
| CFO |
| FE |
| PE |
| RD |
| RTK |

34 1/2" HIGH

VB2434H BUTT FH
VB3034H BUTT FH
VB3634H BUTT FH

Vanity Drawer Base - 3 Drawers



- VDB_34H features one standard and two large drawers
- VDB_ features one large and two standard drawers

| |
|------|
| AH ■ |
| APC |
| CFO |
| FE |
| PE |
| RD |
| RTK |

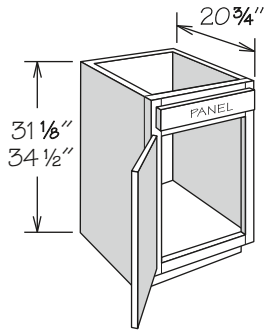
34 1/2" HIGH

VDB1234H ■
VDB1534H ■
VDB1834H ■
VDB2134H ■
VDB2434H ■

31 1/8" HIGH

VDB12
VDB15
VDB18
VDB21
VDB24

Vanity Sink Base - 1 Door



- No shelf
- Subtract 1/2" from depth and width for available sink bowl opening - removal of corner blocks may be required
- Door is hinged left and can be reversed in the field

| |
|------|
| AH ■ |
| APC |
| CFO |
| FE |
| PE |
| RD |
| RTK |

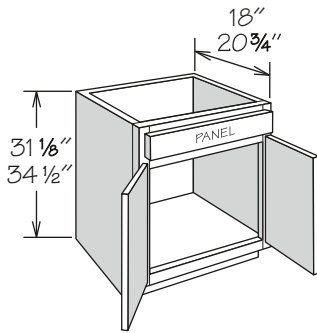
34 1/2" HIGH

VSB1534H ■
VSB1834H ■
VSB2134H ■

31 1/8" HIGH

VSB15
VSB18
VSB21

Vanity Sink Base - 2 Butt Doors



- No shelf
- Subtract 1/2" from depth and width for available sink bowl opening - removal of corner blocks may be required

| |
|------|
| AH ■ |
| APC |
| CFO |
| FE |
| PE |
| RD |
| RTK |

34 1/2" HIGH

20 3/4" Deep

VSB2434H BUTT ■
VSB2734H BUTT ■
VSB3034H BUTT ■
VSB3334H BUTT ■
VSB3634H BUTT ■

18" Deep

VSB241834H BUTT
VSB301834H BUTT
VSB361834H BUTT

31 1/8" HIGH

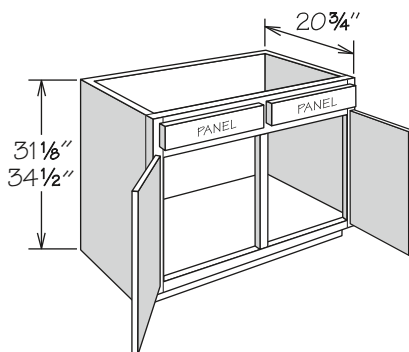
20 3/4" Deep

VSB24 BUTT
VSB27 BUTT
VSB30 BUTT
VSB33 BUTT
VSB36 BUTT

18" Deep

VSB2418 BUTT
VSB3018 BUTT
VSB3618 BUTT

Vanity Sink Base - 2 Doors



- No shelf
- Subtract 1/2" from depth and width for available sink bowl opening - removal of corner blocks may be required

| |
|------|
| AH ■ |
| APC |
| CFO |
| FE |
| PE |
| RD |
| RTK |

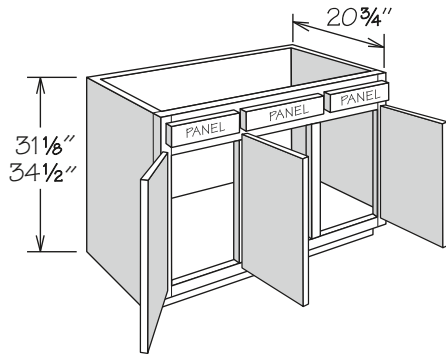
34 1/2" HIGH

VSB3934H ■
VSB4234H ■

31 1/8" HIGH

VSB39
VSB42

Vanity Sink Base - 3 Doors



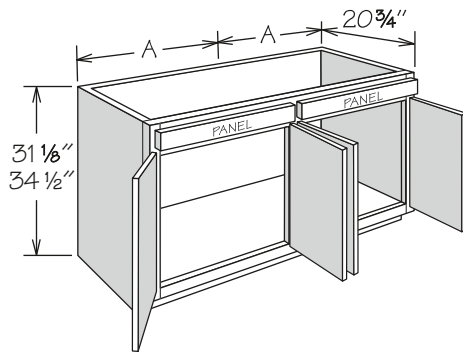
- No shelf
- Subtract 1/2" from depth and width for available sink bowl opening - removal of corner blocks may be required
- Hinged as shown - can be reversed in the field

| |
|------|
| AH ■ |
| APC |
| CFO |
| FE |
| PE |
| RD |
| RTK |

34 1/2" HIGH
VSB4834H ■

31 1/8" HIGH
VSB48

Vanity Sink Base - 4 Butt Doors



- No shelf
- Subtract 1/2" from depth and each dimension A for available sink bowl openings - removal of corner blocks may be required

| |
|------|
| AH ■ |
| APC |
| CFO |
| FE |
| PE |
| RD |
| RTK |

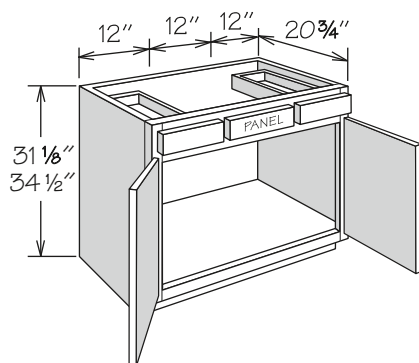
34 1/2" HIGH
VSB5434H BUTT ■
VSB6034H BUTT ■

A
27"
30"

31 1/8" HIGH
VSB54 BUTT
VSB60 BUTT

A
27"
30"

Vanity Sink Base - 2 Butt Doors and 2 Drawers



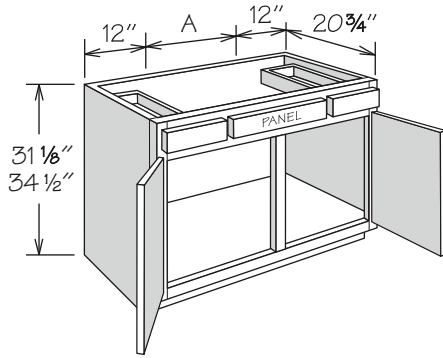
- No shelf
- Top drawer on each side of sink bowl opening
- Subtract 1/2" from depth for available sink bowl opening
- Features two DRB9_ to accommodate sink bowl opening up to 18"

| |
|------|
| AH ■ |
| APC |
| CFO |
| FE |
| PE |
| RD |
| RTK |

34 1/2" HIGH
VAN3634H BUTT ■

31 1/8" HIGH
VAN36 BUTT

Vanity Sink Base - 2 Doors and 2 Drawers

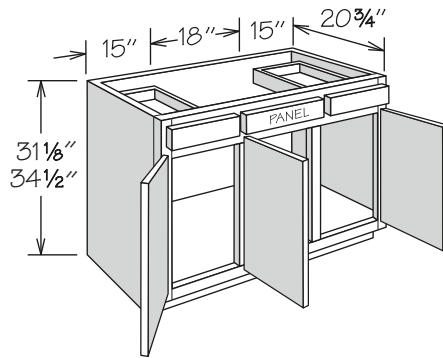


- No shelf
- Top drawer on each side of sink bowl opening
- Subtract 1/2" from depth for available sink bowl opening

| |
|------|
| AH ■ |
| APC |
| CFO |
| FE |
| PE |
| RD |
| RTK |

| 34 1/2" HIGH | A | MAX. SINK OPENING | 31 1/8" HIGH | A | MAX. SINK OPENING |
|--------------|-----|-------------------|--------------|-----|-------------------|
| VAN3934H ■ | 15" | 18" | VAN39 | 15" | 18" |
| VAN4234H ■ | 18" | 21" | VAN42 | 18" | 21" |

Vanity Sink Base - 3 Doors and 2 Drawers



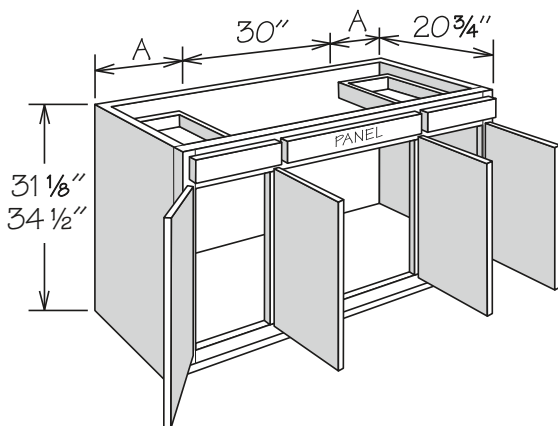
- No shelf
- Top drawer on each side of sink bowl opening
- Subtract 1/2" from depth for available sink bowl opening
- Hinged as shown - can be reversed in the field
- Maximum sink bowl opening is 21" wide

| |
|------|
| AH ■ |
| APC |
| CFO |
| FE |
| PE |
| RD |
| RTK |

| 34 1/2" HIGH | 31 1/8" HIGH |
|--------------|--------------|
| VAN4834H ■ | VAN48 |

Vanity Sink Base - 4 Butt Doors and 2 Drawers

NEW! UPDATE **NEW!** NOMENCLATURE



- **UPDATE!** Now features a solid back
- No shelf
- Top drawer on each side of sink bowl opening
- Subtract 1/2" from depth for available sink bowl opening
- Maximum sink bowl opening is 33" wide

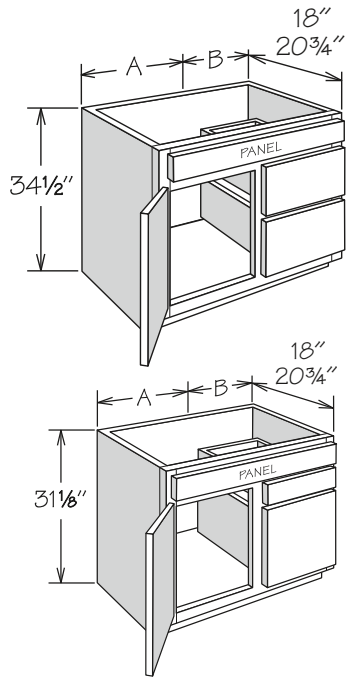
| |
|------|
| AH ■ |
| APC |
| CFO |
| FE |
| PE |
| RD |
| RTK |

| 34 1/2" HIGH | A | 31 1/8" HIGH | A |
|--------------------|-----|---------------|-----|
| VAN5434H BK BUTT ■ | 12" | VAN54 BK BUTT | 12" |
| VAN6034H BK BUTT ■ | 15" | VAN60 BK BUTT | 15" |

Vanity Combo Sink Base - 1 Door and 2 Drawers

NEW! **UPDATE**

NEW! **NOMENCLATURE**



- **UPDATE!** Now features a solid back
- No shelf
- Allow for plumbing placement to clear drawers
- Drawers available on right or left side (please specify)
- Cabinet shown is right indicating drawers on the right side of the cabinet
- Subtract 1/2" from depth and overall cabinet width for available sink bowl opening - removal of corner blocks may be required

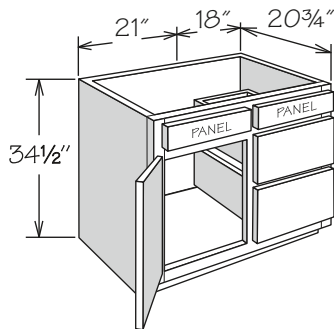
| |
|------|
| AH ■ |
| APC |
| CFO |
| FE |
| PE |
| RD |
| RTK |

| 34 1/2" HIGH | A | B | 31 1/8" HIGH | A | B |
|---------------------|-----|-----|---------------------|-----|-----|
| 20 3/4" Deep | | | 20 3/4" Deep | | |
| VSDB2434H BK ■ | 12" | 12" | VSDB24 BK | 12" | 12" |
| VSDB2734H BK ■ | 15" | 12" | VSDB27 BK | 15" | 12" |
| VSDB3034H BK ■ | 18" | 12" | VSDB30 BK | 18" | 12" |
| VSDB3334H BK ■ | 21" | 12" | VSDB33 BK | 21" | 12" |
| VSDB3634H BK ■ | 21" | 15" | VSDB36 BK | 21" | 15" |
| 18" Deep | | | 18" Deep | | |
| VSDB241834H BK | 12" | 12" | VSDB2418 BK | 12" | 12" |
| VSDB271834H BK | 15" | 12" | VSDB2718 BK | 15" | 12" |
| VSDB301834H BK | 18" | 12" | VSDB3018 BK | 18" | 12" |
| VSDB331834H BK | 21" | 12" | VSDB3318 BK | 21" | 12" |
| VSDB361834H BK | 21" | 15" | VSDB3618 BK | 21" | 15" |

Vanity Combo Sink Base - 1 Door and 2 Drawers

NEW! **UPDATE**

NEW! **NOMENCLATURE**



- **UPDATE!** Now features a solid back
- No shelf
- Allow for plumbing placement to clear drawers
- Drawers available on right or left side (please specify)
- Cabinet shown is right indicating drawers on the right side of the cabinet
- Subtract 1/2" from depth and overall cabinet width for available sink bowl opening - removal of corner blocks may be required

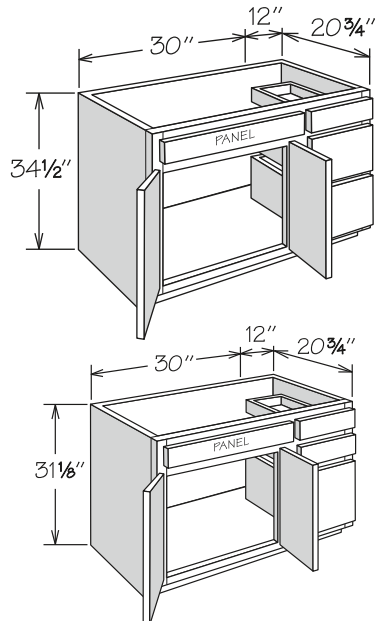
| |
|-----|
| AH |
| APC |
| CFO |
| FE |
| PE |
| RD |
| RTK |

34 1/2" HIGH
VSDB3934H BK

Vanity Combo Sink Base - 2 Butt Doors and 3 Drawers

NEW! **UPDATE**

NEW! **NOMENCLATURE**



- **UPDATE!** Now features a solid back
- No shelf
- Drawers available on right or left side (please specify)
- Cabinet shown is right indicating drawers on the right side of the cabinet
- Maximum sink bowl opening is 28 1/2" wide
- Requires off center sink bowl opening

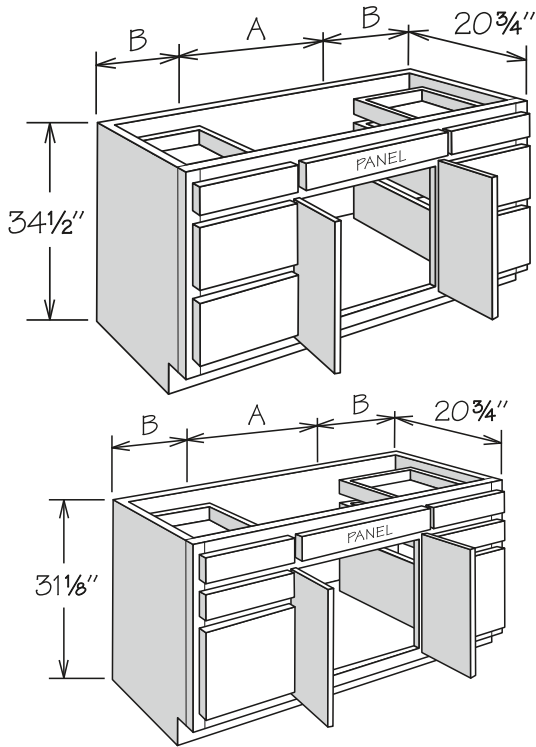
| |
|------|
| AH ■ |
| APC |
| CFO |
| FE |
| PE |
| RD |
| RTK |

34 1/2" HIGH
VSDB4234H BK BUTT ■

31 1/8" HIGH
VSDB42 BK BUTT

Vanity Combo Sink Base - 2 Butt Doors and 6 Drawers

NEW! **UPDATE** **NEW!** **NOMENCLATURE**



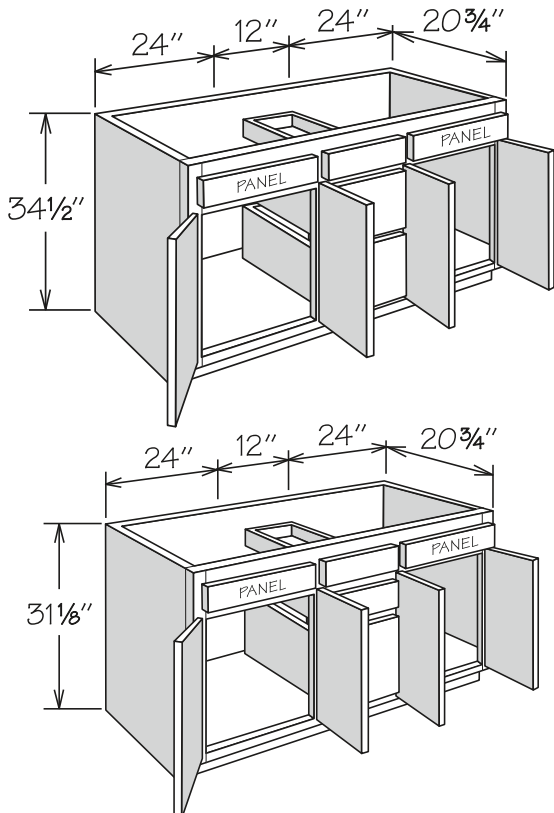
- **UPDATE!** Now features a solid back
- No shelf
- Subtract 1/2" from depth and dimension A for available sink bowl opening

| |
|------|
| AH ■ |
| APC |
| CFO |
| FE |
| PE |
| RD |
| RTK |

| 34 1/2" HIGH | A | B | 31 1/8" HIGH | A | B |
|----------------------|-----|-----|-----------------|-----|-----|
| VSDB4834HD BK BUTT ■ | 24" | 12" | VSDB48D BK BUTT | 24" | 12" |
| VSDB5434HD BK BUTT ■ | 24" | 15" | VSDB54D BK BUTT | 24" | 15" |
| VSDB6034HD BK BUTT ■ | 30" | 15" | VSDB60D BK BUTT | 30" | 15" |

Vanity Combo Sink Base - 4 Butt Doors and 3 Drawers

NEW! **UPDATE** **NEW!** **NOMENCLATURE**

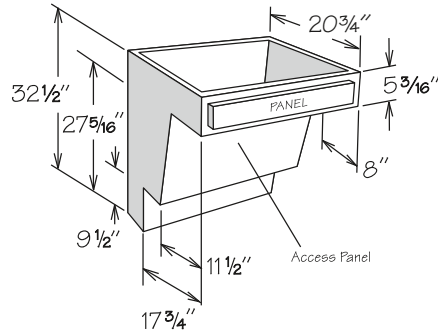


- **UPDATE!** Now features a solid back
- No shelf
- Subtract 1/2" from depth and each 24" dimension for available sink bowl openings - removal of corner blocks may be required

| |
|------|
| AH ■ |
| APC |
| CFO |
| FE |
| PE |
| RD |
| RTK |

| 34 1/2" HIGH | 31 1/8" HIGH |
|----------------------|-----------------|
| VSDB6034HC BK BUTT ■ | VSDB60C BK BUTT |

Vanity Sink Base - Vanity Plumbing Skirt



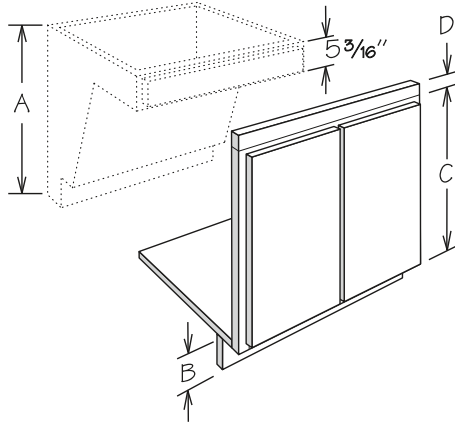
- Features kneehole drawer front - refer to door style section
- Removable front access panel
- Features plywood sides
- Subtract 1/2" from width and depth for available sink bowl opening - removal of corner blocks may be required
- Maximum available height inside cabinet for sink bowl is 5"
- Water lines, drains, and P-Trap must be installed at 6" maximum from wall
- Refer to sink manufacturer's specifications for adequate clearance and required installation materials
- Matching toe kick included
- Must be installed between two cabinets or a cabinet and a wall
- May be used with Vanity Adaptable Sink Base Kit (ASB) - order separately

| |
|-----|
| APC |
| FE |

32 1/2" HIGH

VPS30 UD
VPS36 UD

Vanity Adaptable Sink Base Kit



- For use with Vanity Plumbing Skirt (VPS) - MUST be ordered separately
- Kit contains:
 - » Face frame with hinged butt doors
 - » One Tall Filler (S3S396)
 - » Two Drawer Fasteners (DDF FASTENER)
 - » One Sink Floor (FL36)
 - » One Hardwood Cleat (HWC 2X4X96)
 - » Installation instructions
- Kit must be assembled in the field
- Features CushionClose hinges standard

| A VPS | B DESIRED TOE KICK HEIGHT | C FACE FRAME HEIGHT | D TRIMMED S3S | KIT |
|----------|---------------------------------|---------------------------|---------------------|------------|
| 32 1/2" | 2" | 24 1/2" | 13/16" | ASB_34 KIT |
| 32 1/2" | 4" | 20 5/8" | 2 1/16" | ASB_32 KIT |

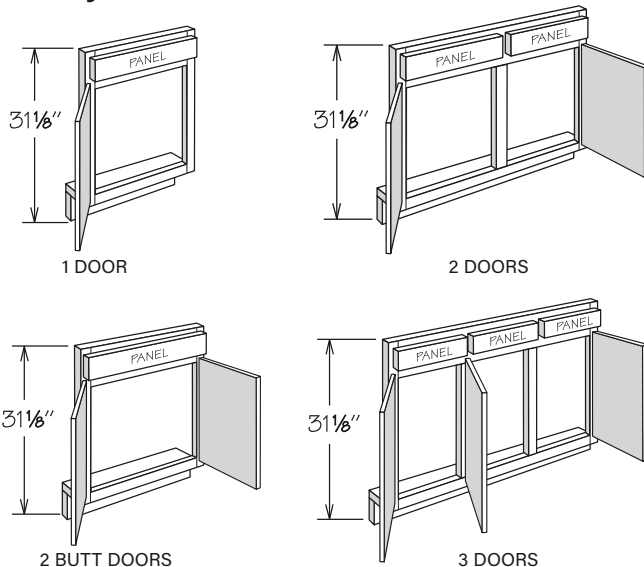
20 5/8" Frame

ASB3032 KIT
ASB3632 KIT

24 1/2" Frame

ASB3034 KIT
ASB3634 KIT

Vanity Sink Front



- Not trimmable
- Order floor and returns separately (field trimming may be required) - refer to Panel Section for availability (page 162-163)
- VSF48 hinged as shown, can be reversed in field

31 1/8" HIGH

1 Door

VSF21

2 Butt Doors

VSF24 BUTT
VSF30 BUTT
VSF36 BUTT

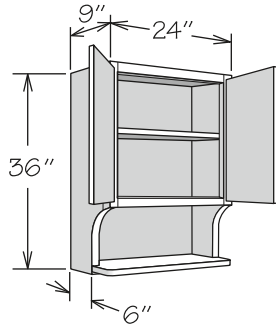
2 Doors

VSF39
VSF42

3 Doors

VSF48

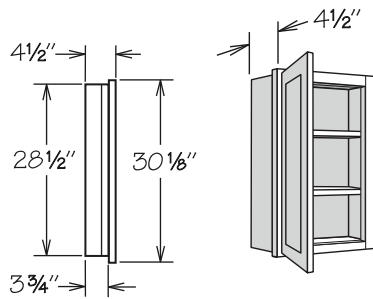
Valet Cabinet - 2 Butt Doors



- Matching interior standard
- Flush sides with no face frame or 1/4" reveals
- Bottom opening: 22 1/2" x 10 7/8"
- Features a fixed shelf
- Sides and bottom shelf feature 3/4" engineered wood veneered on both sides

VC2436 BUTT

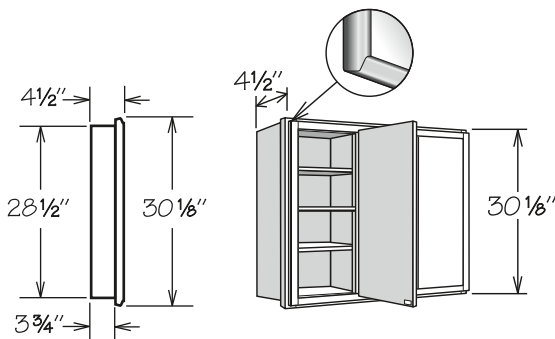
Medicine Cabinet - 1 Door



- Two adjustable engineered wood shelves
- Surface or recess mount
- MCM1530 features a mirrored door
- For surface mount installation, trim and apply WEP30 (order separately) to match finish on exterior sides to cabinet frame
- Breeze, Pewter and Linen (Painted and Duraform) door styles feature Matching Interior standard
- Not available with CushionClose hinges

| 28 1/2" HIGH | RECESS MOUNT CUTOUT WIDTH | RECESS MOUNT CUTOUT HEIGHT |
|--------------|---------------------------|----------------------------|
| MC1530 | 14 1/2" | 28 1/2" |
| MCM1530 | 14 1/2" | 28 1/2" |

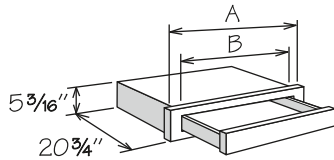
Tri-View Mirror - 3 Doors



- Features one large opening with two left hinged doors and one small opening with a right hinged door - can be flipped in the field
- Six adjustable shelves (3 per section)
- Surface or recess mount
- For surface mount installation, trim and apply WEP30 (order separately) to match finish on exterior sides to cabinet frame
- Chrome hardware
- Breeze, Pewter and Linen (Painted and Duraform) door styles feature Matching Interior standard
- Not available with CushionClose hinges

| | OVERALL WIDTH | OVERALL HEIGHT | RECESS MOUNT CUTOUT WIDTH | RECESS MOUNT CUTOUT HEIGHT |
|--------|---------------|----------------|---------------------------|----------------------------|
| TV3030 | 30" | 30 1/8" | 28 1/2" | 28 1/2" |
| TV3630 | 36" | 30 1/8" | 34 1/2" | 28 1/2" |

Kneehole Drawer Cabinet • 1 Drawer

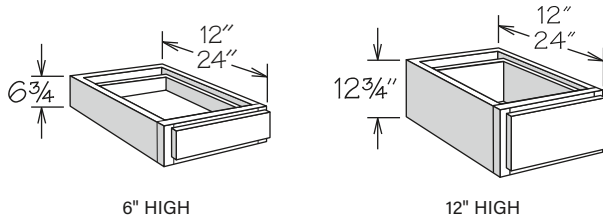


- Designed for desk or vanity application
- Field trimmable in height to 4 3/4"
- Field trimmable in depth to 18" or available with RD-20 through RD-12
- Drawer front complements door style - refer to door style section

RD

| | A | B | MAX. TRIM |
|----------|-----|---------|------------------------|
| KDC27/21 | 27" | 17 3/4" | 21" (3" each side) |
| KDC33/27 | 33" | 23 3/4" | 27" (3" each side) |
| KDC36/33 | 36" | 29 3/4" | 33" (1 1/2" each side) |

Furniture Drawer Cabinet • 1 Drawer



- 6" high features one standard drawer and 12" high features one large drawer
- 24" deep Furniture Drawer cabinets are only available with RD-23 through RD-13
- Bottom of cabinet frame must be fully supported

APC
CFO
FE
PE
RD ■

6" HIGH • 1 DRAWER

12" Deep

FD121206
FD151206
FD181206
FD211206
FD241206
FD271206
FD301206
FD331206
FD361206

24" Deep

FD122406 ■
FD152406 ■
FD182406 ■
FD212406 ■
FD242406 ■
FD272406 ■
FD302406 ■
FD332406 ■
FD362406 ■

12" HIGH • 1 DRAWER

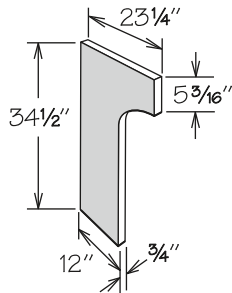
12" Deep

FD121212
FD151212
FD181212
FD211212
FD241212
FD271212
FD301212
FD331212
FD361212

24" Deep

FD122412 ■
FD152412 ■
FD182412 ■
FD212412 ■
FD242412 ■
FD272412 ■
FD302412 ■
FD332412 ■
FD362412 ■

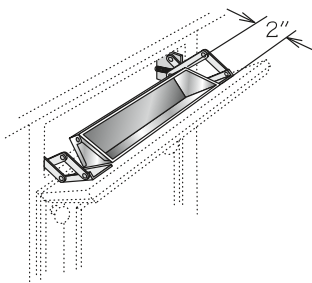
Desk End Panel



- All door styles feature 3/4" veneered engineered wood finished to match cabinet box exterior on both sides
- Recommend QM8 be ordered for installation to ensure proper attachment to wall
- Field trimmable
- Edge banded on front

DEP

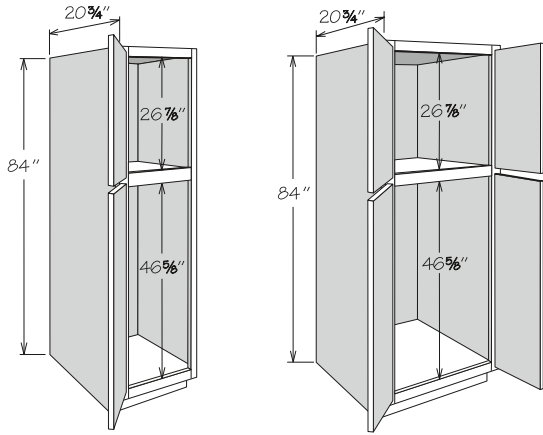
Stainless Tilt-Out Tray Kit



- Field installation accessory
- Kit features tray and one pair of scissor hinges
- For use on existing drawer panels for 20 3/4" or 18" deep vanity cabinets
- STO TRAY 11:
 - » Order one unit for VSB18, VSB48 (center only) or VAN48
- STO TRAY 14:
 - » Order one unit for VSB21, VSB24, VSB27, VSDB24, VSDB27, VSDB39, VSDB48D or VSDB54D
 - » Order two units for VSB42, VSB54 or VSDB60C
- STO TRAY 22:
 - » Order one unit for VSB30, VSB33, VSB36, VAN54, VAN60, VSDB30, VSDB33, VSDB36, VSDB42 or VSDB60D
 - » Order two units for VSB60
- Tilt-Out Trays are NOT dishwasher safe

STO TRAY 11
STO TRAY 14
STO TRAY 22

Vanity Linen Cabinet



2 DOORS

4 BUTT DOORS

- Shelving and optional interior accessories may be ordered separately (refer to vanity linen cabinet accessories for details)
- Cabinet backs are pre-drilled to accept up to four Deep Roll Out Trays in lower section
- Two door cabinets must be ordered hinged left or right
- Specialty Door cabinets (SD) feature Matching Interior standard and require a specialty door selection
- Bottom doors will have a center rail for select door styles - refer to door style section

| |
|------|
| APC |
| CFO |
| FE |
| MI ■ |
| PE |
| RD |

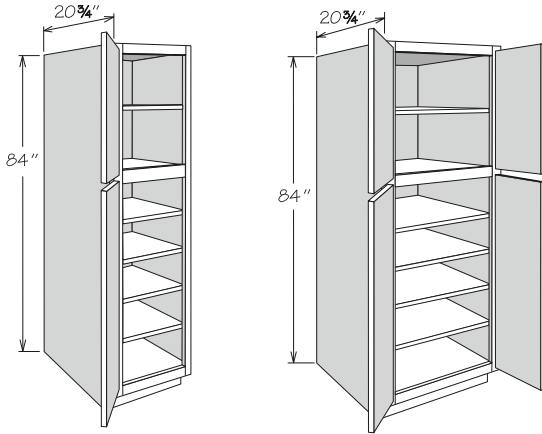
2 DOORS

VLC122184 ■
 VLC152184 ■
 VLC182184 ■
 VLC122184 SD
 VLC152184 SD
 VLC182184 SD

4 BUTT DOORS

VLC242184 BUTT ■
 VLC242184 BUTT SD

Vanity Linen Cabinet - Adjustable Shelves



2 DOOR

4 BUTT DOORS

- Features one full-depth adjustable shelf in top section and four full-depth adjustable shelves in lower section
- All shelving packaged separately for field installation
- Two door cabinets must be ordered hinged left or right
- Specialty Door cabinets (SD) feature Matching Interior standard and require a specialty door selection
- Bottom doors have a center rail for select door styles - refer to door style section

| |
|------|
| APC |
| FE |
| MI ■ |
| PE |
| RD |

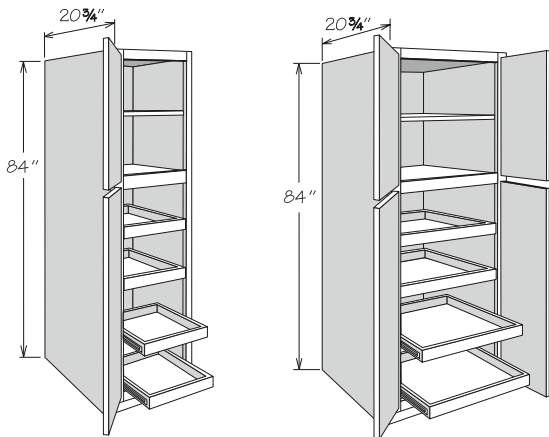
2 DOORS

VLC122184 AS ■
 VLC152184 AS ■
 VLC182184 AS ■
 VLC122184 AS SD
 VLC152184 AS SD
 VLC182184 AS SD

4 BUTT DOORS

VLC242184 AS BUTT ■
 VLC242184 AS BUTT SD

Vanity Linen Cabinet - Deep Roll Out Trays



2 DOOR

4 BUTT DOORS

- Features one full-depth adjustable shelf in top section and four Deep Roll Out Trays in lower section
- Adjustable shelf and Deep Roll Out Trays packaged separately
- Two door cabinets must be ordered hinged left or right
- Specialty Door cabinets (SD) feature Matching Interior standard and require a specialty door selection
- Bottom doors have a center rail for select door styles - refer to door style section

| |
|------|
| APC |
| FE |
| MI ■ |
| PE |
| RD |

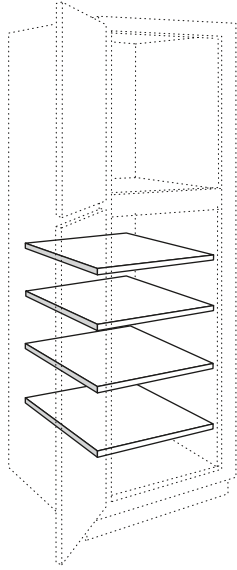
2 DOORS

VLC122184 4ROT ■
 VLC152184 4ROT ■
 VLC182184 4ROT ■
 VLC122184 4ROT SD
 VLC152184 4ROT SD
 VLC182184 4ROT SD

4 BUTT DOORS

VLC242184 4ROT BUTT ■
 VLC242184 4ROT BUTT SD

Vanity Linen Cabinet • Adjustable Shelves



- Field installation accessory
- ¾" engineered wood in a natural finish
- Edge banded on front edge only
- CLIP LOCK shelf rests included

| |
|-----|
| APC |
| MI |
| RD |

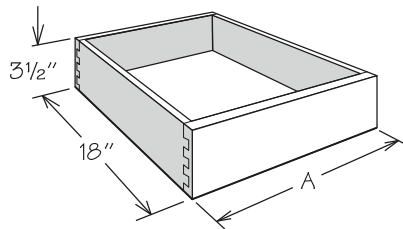
ADJUSTABLE SHELF

S1221
S1521
S1821
S2421

4 PACK SHELF KIT

SK1221
SK1521
SK1821
SK2421

Vanity Linen Cabinet • Deep Roll Out Trays



- Field installation accessory
- Natural finish dovetail drawer with engineered wood bottom
- Includes tray, all glide hardware and installation instructions

| |
|----|
| RD |
|----|

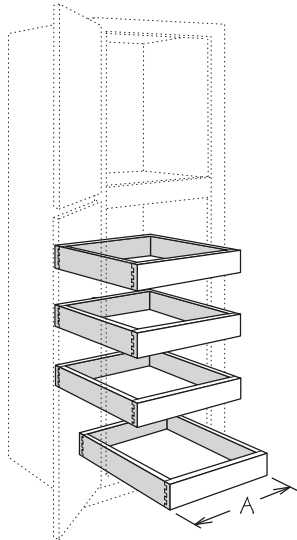
SINGLE DEEP ROLL OUT TRAY KIT

DROT1221
DROT1521
DROT1821
DROT2421

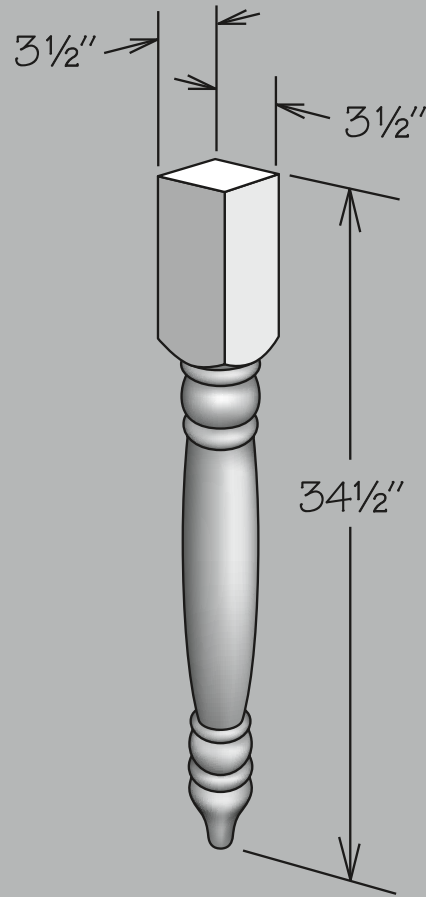
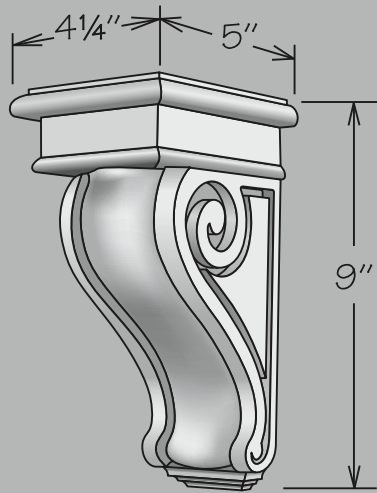
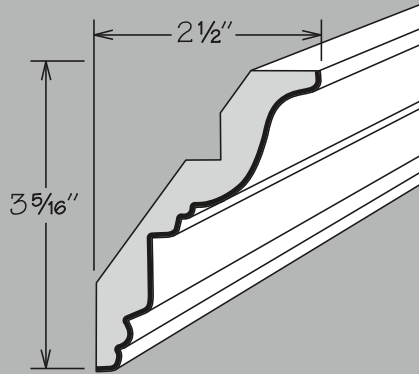
4 PACK DEEP ROLL OUT TRAY KIT

DROT1221-4K
DROT1521-4K
DROT1821-4K
DROT2421-4K

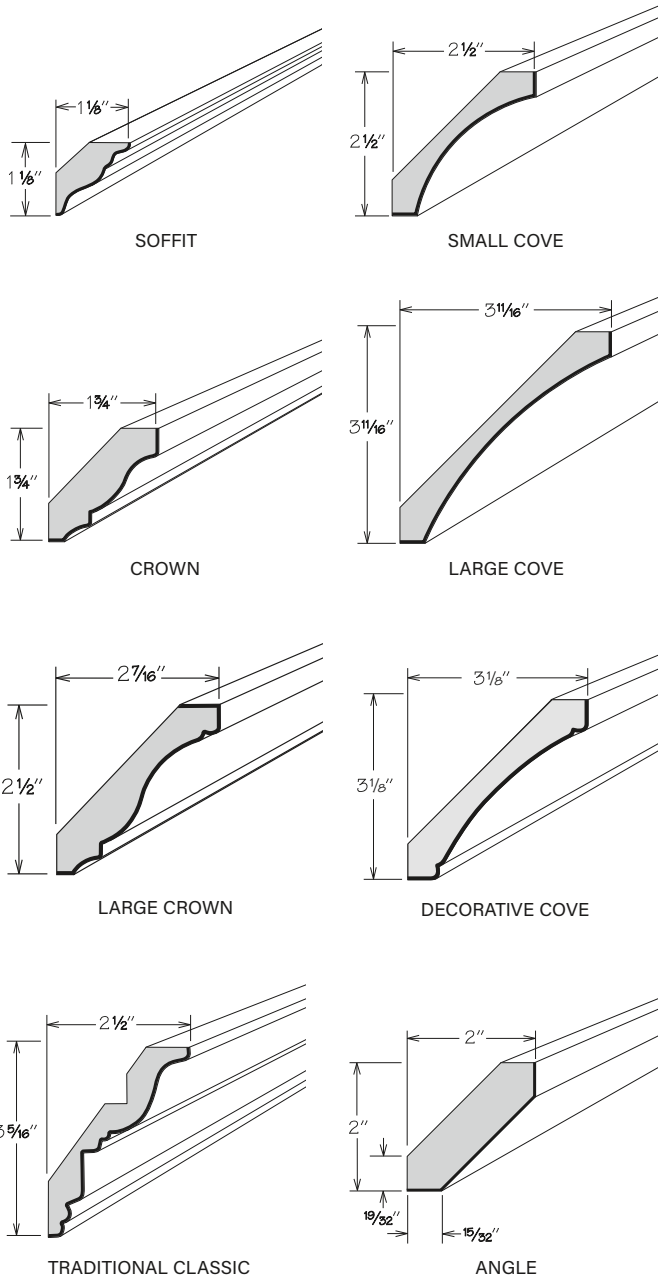
A
7 ¾"
10 ¾"
13 ¾"
19 ¾"



MOLDING & DECORATIVE ACCENTS



Crown Molding



- 94" long
- Wood and Painted finishes feature solid wood finished to match cabinet box exterior - glazed finishes on CM8, DSCVM8, LCM8, SCM8 and TCCM8 will be glazed
- Duraform Breeze and Drift finishes:
 - » Feature Duraform textured-wrapped engineered wood to match cabinet door for ACM8 DT, SCVM8 DT, and LCV8 DT
 - » Feature solid wood finished to match cabinet box exterior for SCM8, CM8, LCM8, TCCM8, ACM8, SCVM8, LCV8, and DCVM8
- Duraform Espresso, Harbor, Linen and Stone finishes:
 - » Feature Duraform wrapped engineered wood for SCM8, CM8, TCCM8, and ACM8
 - » Feature solid wood finished to match cabinet box exterior for SCVM8, LCV8, and DCVM8
- TCCM8 may use OGE8, SBIM8, or SIM8 as accent
- Bold line indicates finished surfaces

SOFFIT

SCM8

SMALL COVE

SCVM8
SCVM8 DT

CROWN

CM8

LARGE COVE

LCVM8
LCVM8 DT

LARGE CROWN

LCM8

DECORATIVE COVE

DCVM8

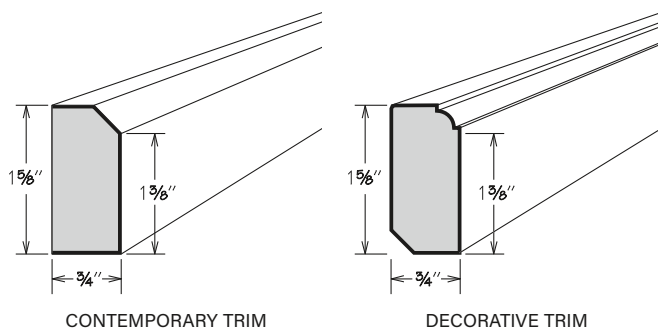
TRADITIONAL CLASSIC

TCCM8

ANGLE

ACM8
ACM8 DT

Edge Molding



- 94" long
- All finishes feature solid wood finished to match cabinet box exterior for CTM8 and DCTM8 - glazed finishes on DTCM8 will be glazed
- Duraform Breeze and Drift finishes feature Duraform textured wrapped engineered wood to match cabinet door for CTM8 DT
- Can be used as light rail molding (cleating may be required)
- Bold line indicates finished surfaces

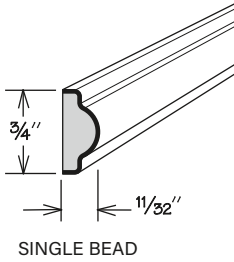
CONTEMPORARY TRIM

CTM8
CTM8 DT

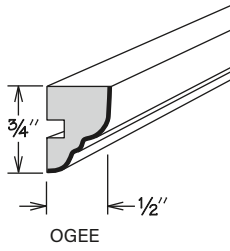
DECORATIVE TRIM

DCTM8

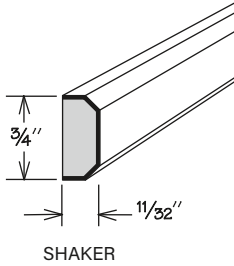
Inset Molding



SINGLE BEAD



OGEE



SHAKER

- 94" long
- All finishes feature solid wood finished to match cabinet box exterior - glazed finishes on OGE8 and SBIM8 will be glazed
- May be used as accent on TCCM8 and ILR8
- Bold line indicates finished surfaces

SINGLE BEAD

SBIM8

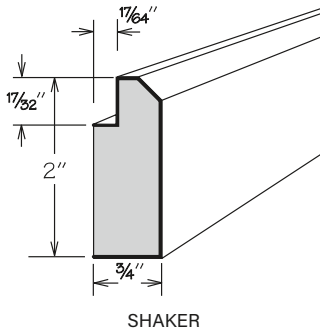
OGEE

OGE8

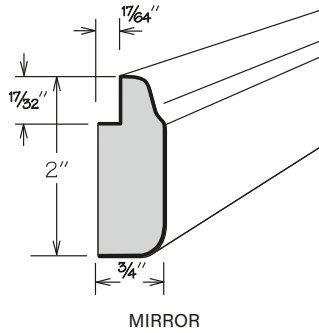
SHAKER

SIM8

Mirror Molding



SHAKER



MIRROR

- 94" long
- All finishes feature solid wood finished to match cabinet box exterior - glazed finishes on MM8 will be glazed
- Bold line indicates finished surfaces

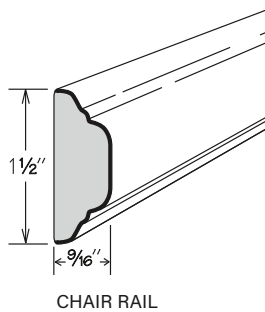
SHAKER

SMM8

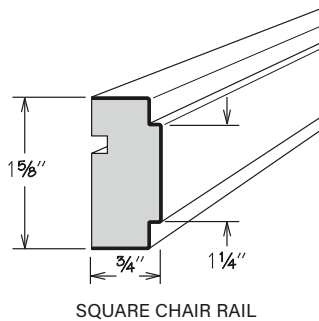
MIRROR

MM8

Chair Rail and Specialty Molding



CHAIR RAIL



SQUARE CHAIR RAIL

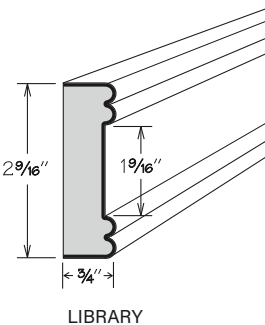
- 94" long
- All finishes feature solid wood finished to match cabinet box exterior - glazed finishes will be glazed
- May be used as vertical decorative molding (i.e. seams between bookshelves or in lieu of an overlay filler)
- LBM8 may be used as light rail molding (cleating required)
- LBM8 may use SBIM8 or SIM8 as accent
- Bold line indicates finished surfaces

CHAIR RAIL

CR8

SQUARE CHAIR RAIL

SQCR8

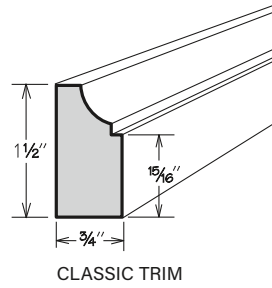
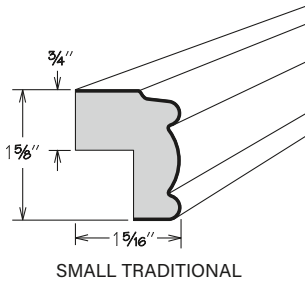
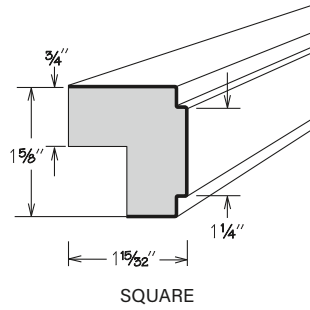
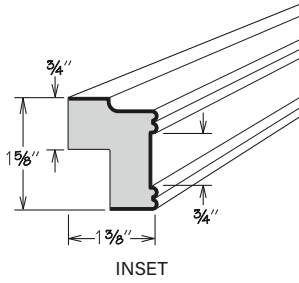


LIBRARY

LIBRARY

LBM8

Light Rail Molding



- 94" long
- All finishes feature solid wood finished to match cabinet box exterior - glazed finishes on ILR8, STLR8 and SCLR8 will be glazed
- ILR8 may use SBIM8 or SIM8 as accent
- CLTM8 can be used as light rail or edge molding (cleating may be required when used as light rail)
- Bold line indicates finished surfaces

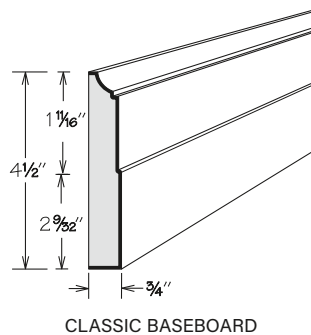
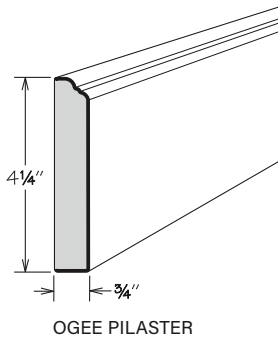
INSET
ILR8

SQUARE
SCLR8

SMALL TRADITIONAL
STLR8

CLASSIC TRIM
CLTM8

Base Molding

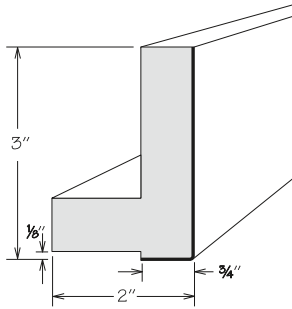


- 94" long
- Wood, Painted, and Duraform Breeze and Drift finishes feature solid wood finished to match cabinet box exterior - glazed finishes will be glazed
- Duraform Espresso, Harbor, Linen and Stone door styles:
 - » Feature Duraform wrapped engineered wood finished to match cabinet box exterior for OGP8
 - » Feature solid wood finished to match cabinet box exterior for CLBM8
- For use with furniture toe or top molding applications
- Bold line indicates finished surfaces

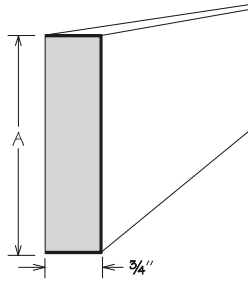
OGEE PILASTER
OGP8

CLASSIC BASEBOARD
CLBM8

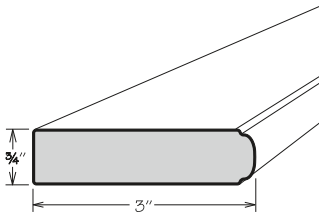
Molding Stock



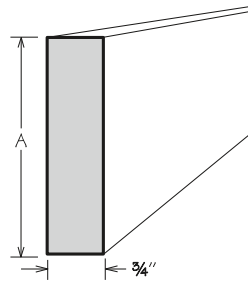
STARTER



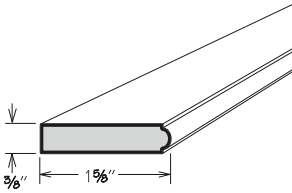
3-SIDED



SINGLE BEAD



4-SIDED

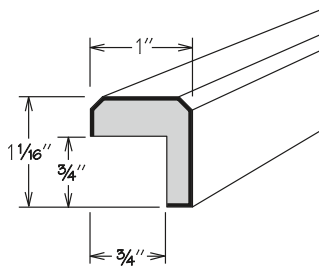


SMALL SINGLE BEAD

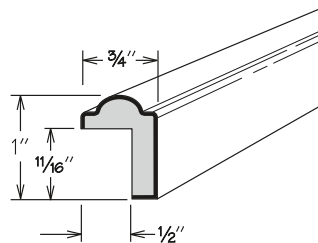
- All finishes feature solid wood finished to match cabinet box exterior for STRM8, S4S396, S4S696, MSS3S394, MSS3S694, SBM8, and SSBM8 - glazed finishes on SBM8 and SSBM8 will be glazed
- Duraform Breeze and Drift finishes feature Duraform textured-wrapped engineered wood to match cabinet door for S3S396 DT and S3S696 DT
- 3-Sided and 4-Sided Stock may also be used in vertical applications (as a filler) or horizontal applications (as furniture toe)
- Bold line indicates finished surfaces

| | LENGTH | | LENGTH |
|--------------------------|--------|----------------|--------|
| STARTER | | 3-SIDED | |
| STRM8 | 94" | MSS3S394 | 94" |
| SINGLE BEAD | | S3S396 DT | 96" |
| SBM8 | 94" | MSS3S694 | 94" |
| SMALL SINGLE BEAD | | S3S696 DT | 96" |
| SSBM8 | 94" | 4-SIDED | |
| | | S4S396 | 96" |
| | | S4S696 | 96" |

Accent Molding



SHAKER

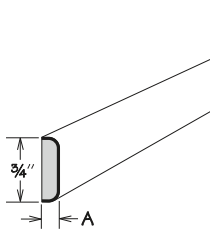


SINGLE BEAD

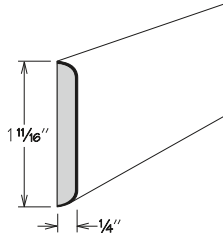
- 94" long
- All finishes feature solid wood finished to match cabinet box exterior - glazed finishes on SBAM8 will be glazed
- May be used as accent on Wall China, Wine Storage and Base Microwave cabinets
- Bold line indicates finished surfaces

| SHAKER | SINGLE BEAD |
|--------|-------------|
| SAM8 | SBAM8 |

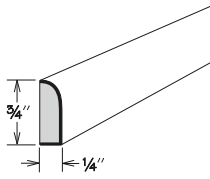
Trim Molding



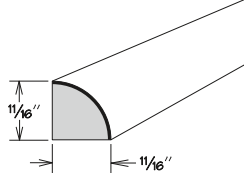
BATTEN



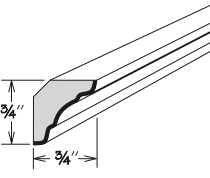
WIDE BATTEN



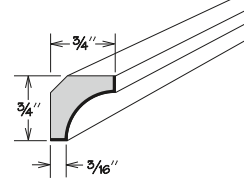
SCRIBE



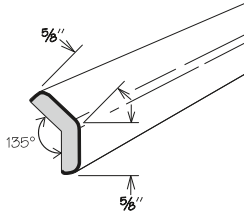
QUARTER ROUND



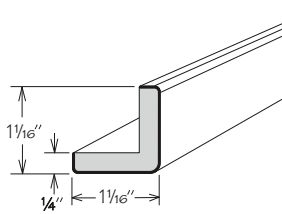
DECORATIVE INSIDE CORNER



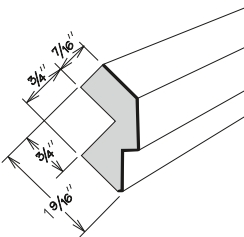
INSIDE CORNER



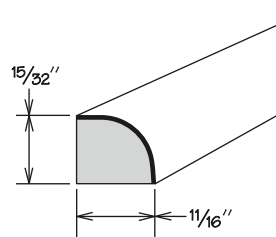
ANGLED OUTSIDE CORNER



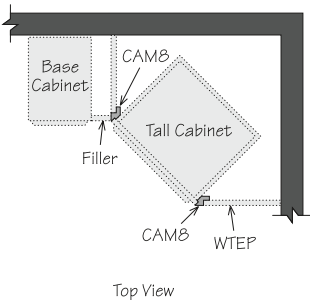
OUTSIDE CORNER



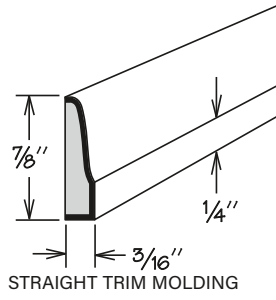
CABINET ANGLE



SHOE



Top View

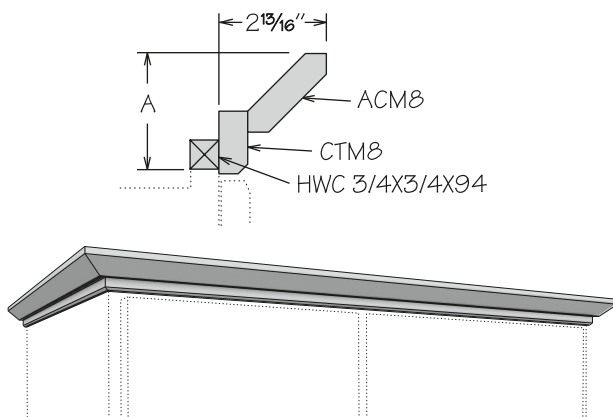


STRAIGHT TRIM MOLDING

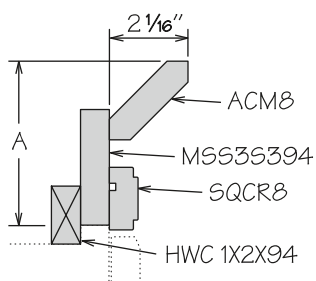
- All finishes feature solid wood finished to match cabinet box exterior for BM8, SM8, SM10, ICM8, AOSC8, CAM8, WBM8, QR8, QM8, OTCM8, SHM8 and UM8 - glazed finishes on ICM8 will be glazed
- Duraform Breeze and Drift finishes feature Duraform textured-wrapped engineered wood to match cabinet door for SM8 DT, QM8 DT, OTCM8 DT, BM8 DT, and SHM8 DT
- Cabinet Angle Molding (CAM8)
 - » Can be used in corner application to place cabinet at 45° angle
 - » Cannot be installed on cabinets with the Furniture Ends Option (FE)
- Bold line indicates finished surfaces

| | A | LENGTH | | LENGTH |
|---------------------------------|-------|--------|------------------------------|--------|
| BATTEN | | | WIDE BATTEN | |
| BM8 | 3/16" | 94" | WBM8 | - 94" |
| BM8 DT | 1/4" | 94" | | |
| SCRIBE | | | QUARTER ROUND | |
| SM8 | - | 94" | QR8 | - 94" |
| SM8 DT | - | 94" | | |
| SM10 | - | 120" | INSIDE CORNER | |
| DECORATIVE INSIDE CORNER | | | QM8 | - 94" |
| ICM8 | - | 94" | QM8 DT | - 94" |
| ANGLED OUTSIDE CORNER | | | OUTSIDE CORNER | |
| AOSC8 | - | 94" | OTCM8 | - 94" |
| CABINET ANGLE | | | OTCM8 DT | - 94" |
| CAM8 | - | 94" | SHOE | |
| | | | SHM8 | - 94" |
| | | | SHM8 DT | - 94" |
| | | | STRAIGHT TRIM MOLDING | |
| | | | UM8 | - 94" |

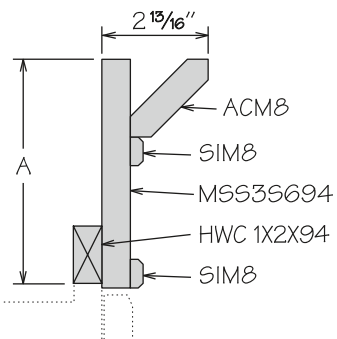
Molding Stack - Modern



MODERN 100



MODERN 200



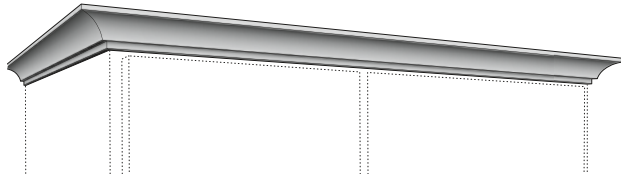
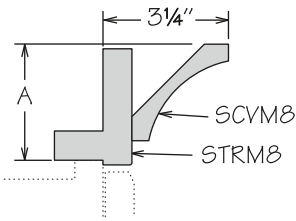
MODERN 300

- 94" long
- All door styles feature solid wood finished to match cabinet box exterior
- Height dimensions are above the face-frame height when used as shown
- Modern 100 pre-packaged molding kit includes:
 - » ACM8
 - » CTM8
 - » HWC 3/4X3/4X94
- Modern 200 pre-packaged molding kit includes:
 - » ACM8
 - » MSS3S394
 - » SQCR8
 - » HWC 1X2X94
- Modern 300 pre-packaged molding kit includes:
 - » ACM8
 - » SIM8 (2)
 - » MSS3S694
 - » HWC 1X2X94
- Molding Stacks shipped unassembled
- Molding Stacks to be cut, assembled and field installed at job site
- Only one finish can be specified per Molding Stack
- Molding Stack diagram included
- Refer to specifications on individual molding included in molding stack

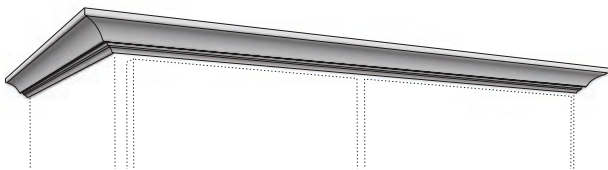
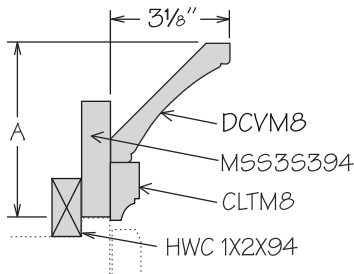
| MODERN | HEIGHT SHOWN | A MIN.* | A MAX. |
|---------------|--------------|---------|--------|
| MS MODERN 100 | 3" | 2 3/16" | 3" |
| MS MODERN 200 | 4 1/4" | 3 9/16" | 4 1/2" |
| MS MODERN 300 | 5 7/8" | 5 7/8" | 7 3/8" |

* Without trimming in height

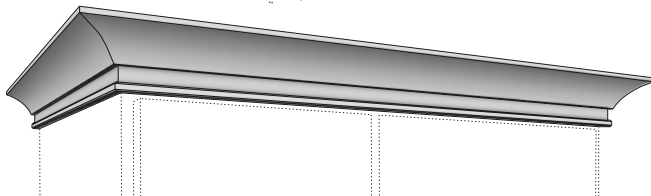
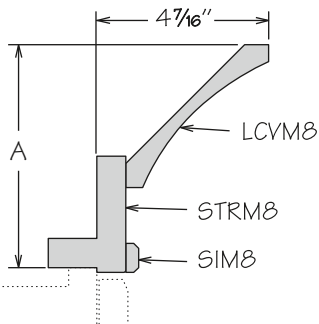
Molding Stack • Transitional



TRANSITIONAL 100



TRANSITIONAL 200



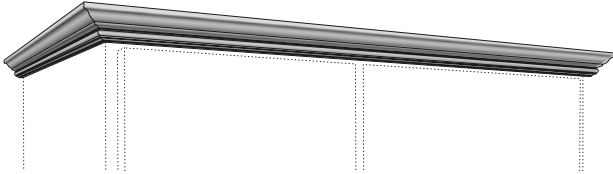
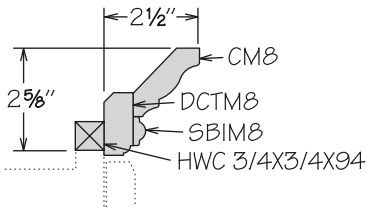
TRANSITIONAL 300

- 94" long
- All door styles feature solid wood finished to match cabinet box exterior
- Height dimensions are the above-face-frame height when used as shown
- Transitional 100 pre-packaged molding kit includes:
 - » SCVM8
 - » STRM8
- Transitional 200 pre-packaged molding kit includes:
 - » DCVM8
 - » MSS3S394
 - » CLTM8
 - » HWC 1X2X94
- Transitional 300 pre-packaged molding kit includes:
 - » LCVM8
 - » STRM8
 - » SIM8
- Molding Stacks shipped unassembled
- Molding Stacks to be cut, assembled and field installed at job site
- Only one finish can be specified per Molding Stack
- Molding Stack diagram included
- Refer to specifications on individual molding included in molding stack

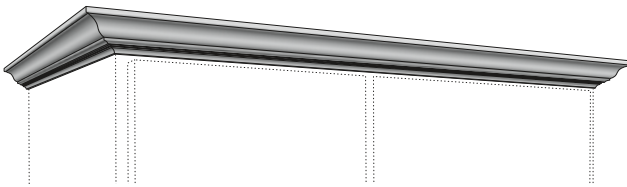
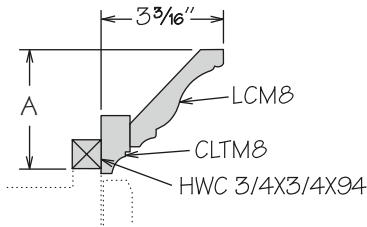
| TRANSITIONAL | HEIGHT SHOWN | A MIN.* | A MAX. |
|---------------------|--------------|---------|----------|
| MS TRANSITIONAL 100 | 3" | 2 7/8" | 4 3/4" |
| MS TRANSITIONAL 200 | 4 1/2" | 4 1/2" | 5 1/2" |
| MS TRANSITIONAL 300 | 5 3/4" | 4 5/16" | 5 15/16" |

* Without trimming in height

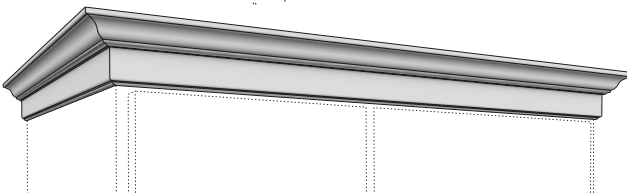
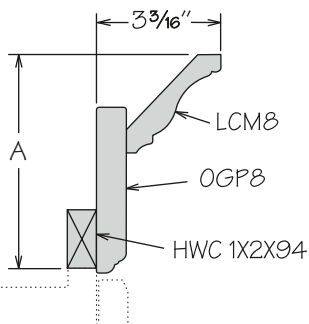
Molding Stack - Classic



CLASSIC 100



CLASSIC 200



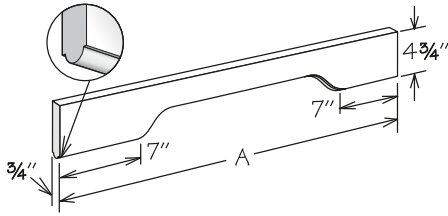
CLASSIC 300

- 94" long
- All door styles feature solid wood finished to match cabinet box exterior
- Height dimensions are the above-face-frame height when used as shown
- Classic 100 pre-packaged molding kit includes:
 - » CM8
 - » DCTM8
 - » SBIM8
 - » HWC 3/4X3/4X94
- Classic 200 pre-packaged molding kit includes:
 - » LCM8
 - » CLTM8
 - » HWC 3/4X3/4X94
- Classic 300 pre-packaged molding kit includes:
 - » LCM8
 - » OGP8
 - » HWC 1X2X94
- Molding Stacks shipped unassembled
- Molding Stacks to be cut, assembled and field installed at job site
- Only one finish can be specified per Molding Stack
- Molding Stack diagram included
- Refer to specifications on individual molding included in molding stack

| CLASSIC | HEIGHT SHOWN | A MIN.* | A MAX. |
|----------------|--------------|----------|---------|
| MS CLASSIC 100 | 2 5/8" | - | - |
| MS CLASSIC 200 | 3 1/16" | 2 15/16" | 3 5/16" |
| MS CLASSIC 300 | 5 1/2" | 4 1/8" | 6" |

* Without trimming in height

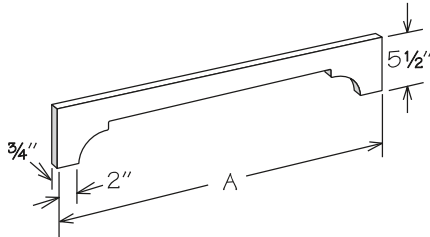
Arched Valance



- Field trimmable
- All door styles feature solid wood finished to match cabinet box exterior
- Dimension from height of arch to top of valance is 2 1/8"

| | A | MAX. TRIM (6 1/8" each end) |
|--------|---------|--------------------------------|
| V36 AR | 36 1/4" | 24" |
| V48 AR | 48 1/4" | 36" |
| V60 AR | 60 1/4" | 48" |
| V72 AR | 72 1/4" | 60" |

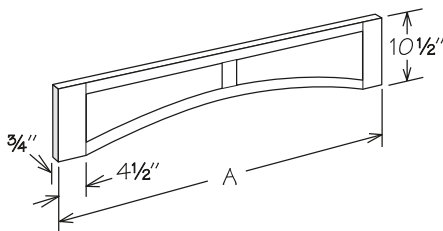
Crown Valance



- Field trimmable
- Features solid wood finished to match cabinet box exterior
- Dimension from height of arch to top of valance is 2 1/4"

| | A | MAX. TRIM (1 1/2" each end) |
|--------|---------|--------------------------------|
| V30 CR | 30 1/4" | 27 1/4" |
| V36 CR | 36 1/4" | 33 1/4" |
| V42 CR | 42 1/4" | 39 1/4" |
| V48 CR | 48 1/4" | 45 1/4" |
| V60 CR | 60 1/4" | 57 1/4" |
| V72 CR | 72 1/4" | 69 1/4" |

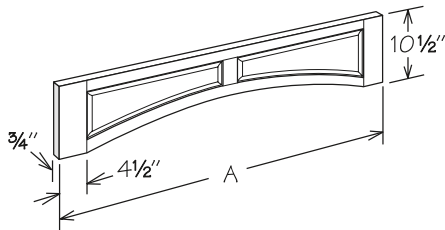
Flat Panel Arched Valance



- Field trimmable
- Features solid wood finished to match cabinet box exterior
- glazed finishes will be glazed
- Dimension from height of arch to top of valance is 8 1/2"

| | A | MAX. TRIM (3" each end) | NUMBER OF PANELS |
|--------|-----|----------------------------|---------------------|
| V36 FP | 36" | 30" | 2 |
| V42 FP | 42" | 36" | 2 |
| V48 FP | 48" | 42" | 2 |
| V54 FP | 54" | 48" | 3 |
| V60 FP | 60" | 54" | 3 |
| V66 FP | 66" | 60" | 3 |
| V72 FP | 72" | 66" | 3 |

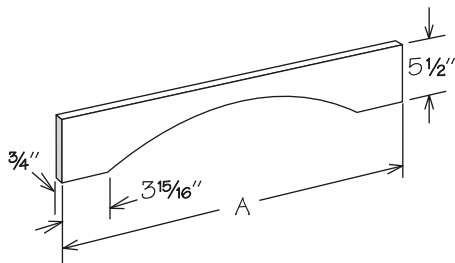
Raised Panel Arched Valance



- Field trimmable
- Features solid wood finished to match cabinet box exterior
- glazed finishes will be glazed
- Dimension from height of arch to top of valance is 8 1/2"

| | A | MAX. TRIM (3" each end) | NUMBER OF PANELS |
|--------|-----|----------------------------|---------------------|
| V36 RP | 36" | 30" | 2 |
| V42 RP | 42" | 36" | 2 |
| V48 RP | 48" | 42" | 2 |
| V54 RP | 54" | 48" | 3 |
| V60 RP | 60" | 54" | 3 |
| V66 RP | 66" | 60" | 3 |
| V72 RP | 72" | 66" | 3 |

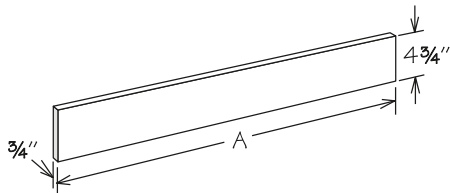
Shaker Valance



- Field trimmable
- Features solid wood finished to match cabinet box exterior
- Dimension from height of arch to top of valance is 2 1/4"

| | A | MAX. TRIM (3 3/8" each end) |
|--------|---------|--------------------------------|
| V30 SH | 30 1/4" | 24" |
| V36 SH | 36 1/4" | 30" |
| V42 SH | 42 1/4" | 36" |
| V48 SH | 48 1/4" | 42" |
| V60 SH | 60 1/4" | 54" |
| V72 SH | 72 1/4" | 66" |

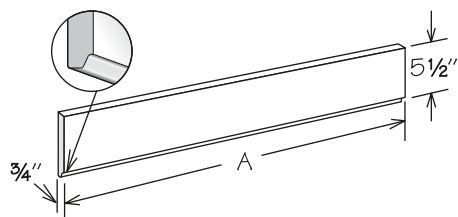
Straight Valance



- Field trimmable
- Features solid wood finished to match cabinet box exterior

| | A |
|-------|---------|
| V48 S | 48 1/4" |
| V72 S | 72 1/4" |

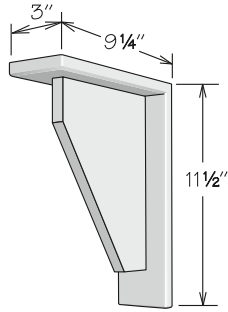
Traditional Valance



- Field trimmable
- Features solid wood finished to match cabinet box exterior
- glazed finishes will be glazed

| | A |
|-------|---------|
| V36 T | 36 1/4" |
| V72 T | 72 1/4" |
| V96 T | 96 1/4" |

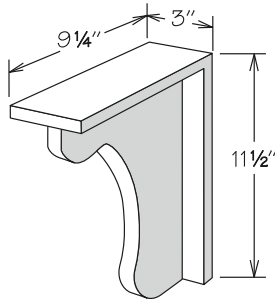
Angled Corbel



- Features 5/8" solid wood finished to match cabinet box exterior - glazed finishes will be glazed
- For decorative use only

AS12

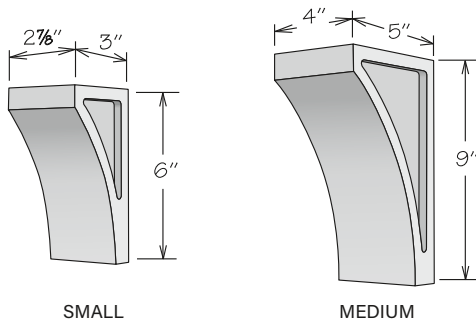
Curved Corbel



- Features 5/8" solid wood finished to match cabinet box exterior - glazed finishes will be glazed
- For decorative use only

CS12

Cove Corbels



SMALL

MEDIUM

- Features solid wood finished to match cabinet box exterior - glazed finishes will be glazed
- Recessed mounting clips included
- For decorative use only

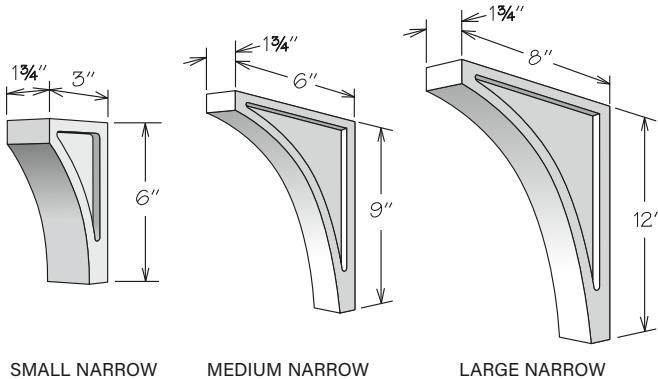
SMALL
CC36

SMALL NARROW
CC26

MEDIUM
CC49

MEDIUM NARROW
CC29

LARGE NARROW
CC212

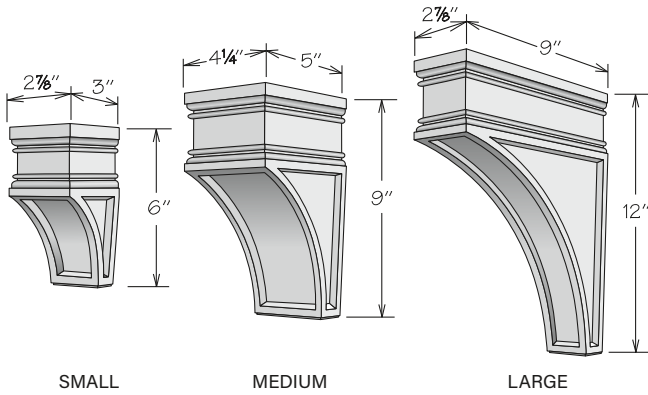


SMALL NARROW

MEDIUM NARROW

LARGE NARROW

Valencia Corbels



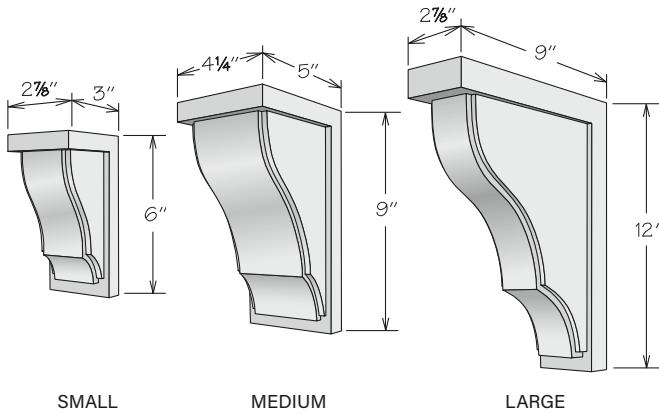
- Features solid wood finished to match cabinet box exterior - glazed finishes will be glazed
- Recessed mounting clips included
- For decorative use only

SMALL
VC36

LARGE
VC312

MEDIUM
VC49

Finley Corbels



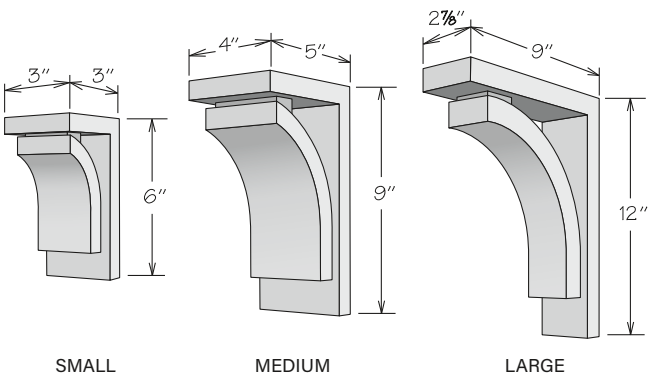
- Features solid wood finished to match cabinet box exterior - glazed finishes will be glazed
- Recessed mounting clips included
- For decorative use only

SMALL
FC36

LARGE
FC312

MEDIUM
FC49

Prairie Corbels



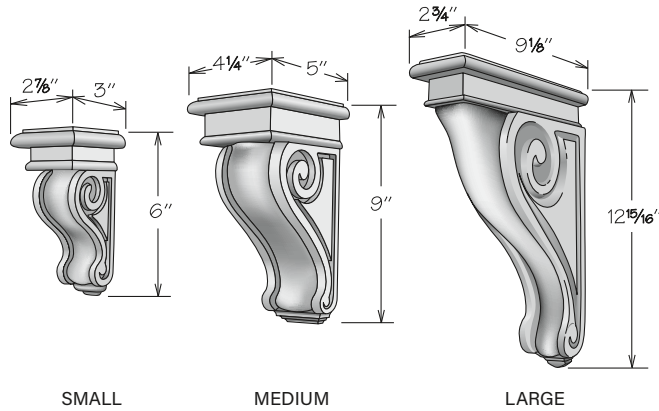
- Features solid wood finished to match cabinet box exterior
- Recessed mounting clips included
- For decorative use only

SMALL
PC36

LARGE
PC312

MEDIUM
PC49

Rosette Corbels



- Features solid wood finished to match cabinet box exterior - glazed finishes will be glazed
- Recessed mounting clips included
- For decorative use only

SMALL

RC36

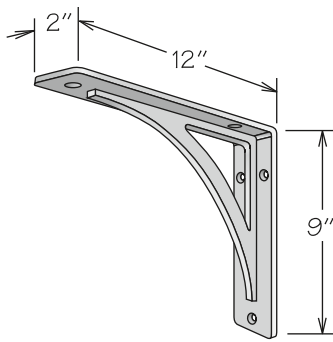
LARGE

RC313

MEDIUM

RC49

Metal Cove Corbel



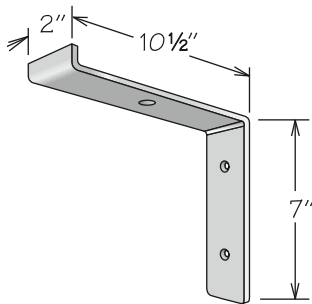
- Mounting clips included
- Can be installed using either height orientation
- Will support up to 100 lbs. when installed per included installation instructions

FINISH

METAL COVE 212 VB
 METAL COVE 212 MB
 METAL COVE 212 SN
 METAL COVE 212 PC

Verona Bronze
 Matte Black
 Satin Nickel
 Polished Chrome

Metal Emerson Corbel



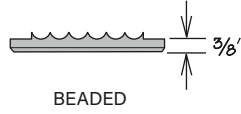
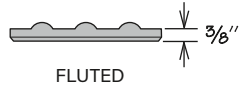
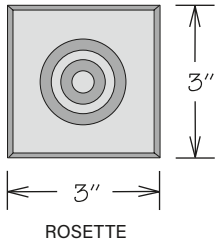
- Mounting clips included
- Will support up to 100 lbs. when installed per included installation instructions

FINISH

METAL EMERSON 27 VB
 METAL EMERSON 27 MB
 METAL EMERSON 27 SN
 METAL EMERSON 27 PC

Verona Bronze
 Matte Black
 Satin Nickel
 Polished Chrome

Decorative Blocks



- All door styles feature solid wood finished to match cabinet box exterior - glazed finishes will be glazed
- For use with Fluted Beaded Fillers

FLUTED

Rosette

FB3X3 ROSETTE

Plinth - 3"

FB3X4 PLINTH

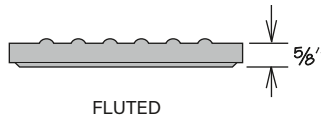
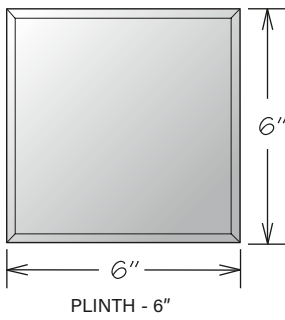
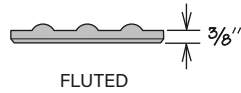
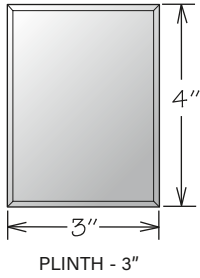
Plinth - 6"

FB6X6 PLINTH

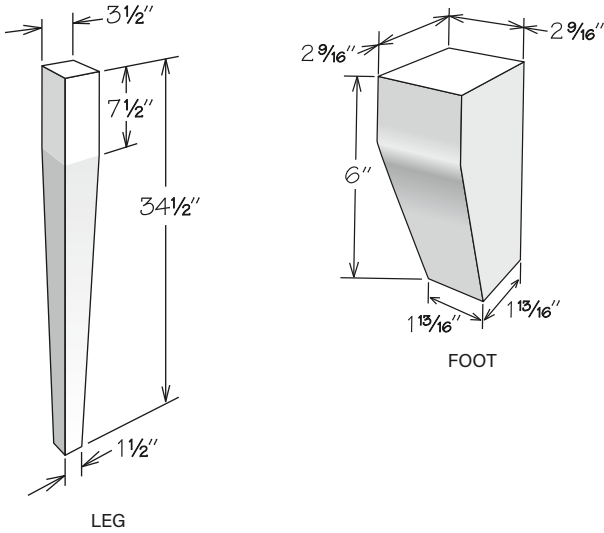
BEADED

Rosette

BB3X3 ROSETTE



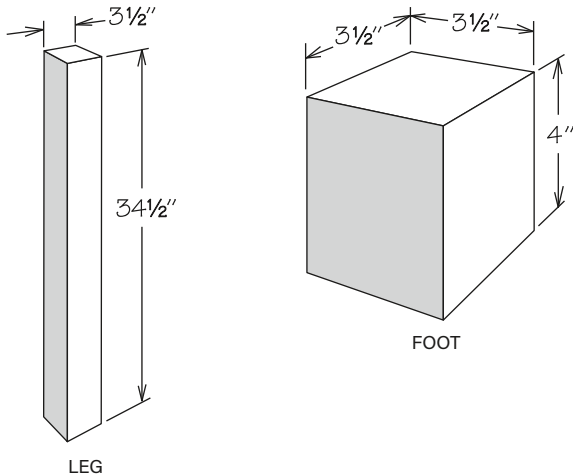
Base Tapered Leg and Foot



- Features solid wood finished to match cabinet box exterior
- Base Tapered Leg is tapered on all sides and is field trimmable
- Base Tapered Foot is tapered on two sides and is field trimmable to 4" high

LEG _____ **FOOT** _____
 BTPL _____ TPF _____

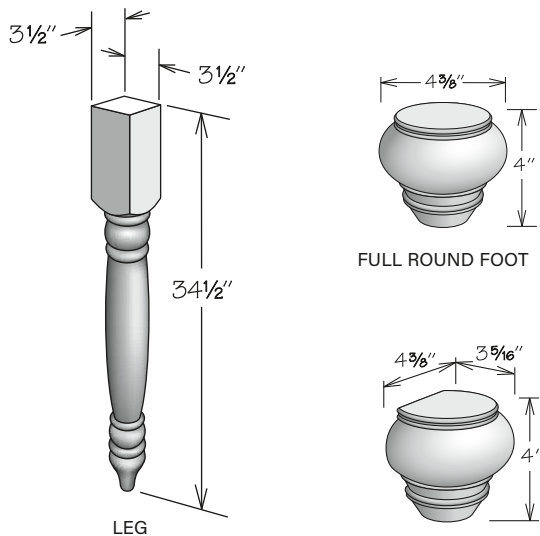
Base Square Leg and Foot



- Features solid wood finished to match cabinet box exterior
- Base Square Leg is field trimmable

LEG _____ **FOOT** _____
 BSQL _____ BSQF _____

Base Turned Leg and Feet

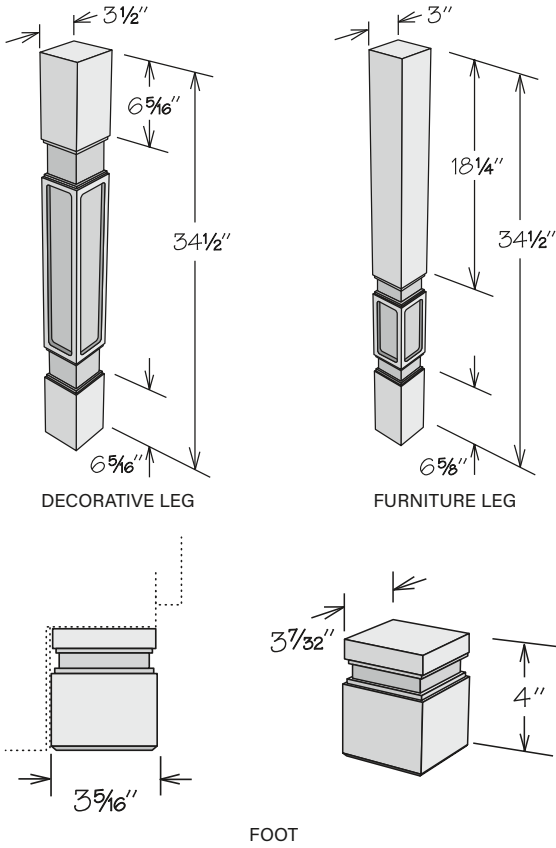


- Features solid wood finished to match cabinet box exterior - glazed finishes will be glazed
- Base Turned Leg is field trimmable to 28 1/2" high

LEG _____ **FULL ROUND FOOT** _____
 BTL _____ ATF-FR _____

FOOT _____
 ATF _____

Parker Legs and Foot



- Features solid wood finished to match cabinet box exterior - glazed finishes will be glazed
- Legs are field trimmable

DECORATIVE LEG

PDL

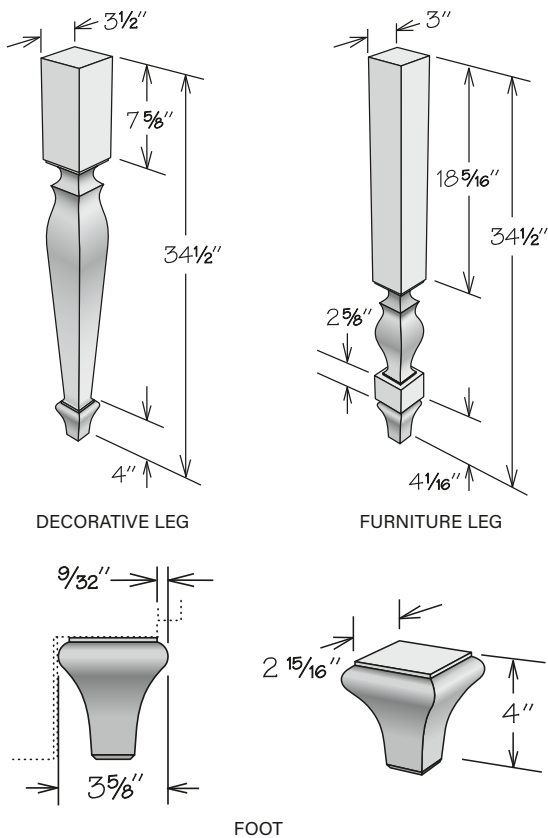
FURNITURE LEG

PFL

FOOT

PDF

Chantilly Legs and Foot



- Features solid wood finished to match cabinet box exterior - glazed finishes will be glazed
- Legs are field trimmable

DECORATIVE LEG

CDL

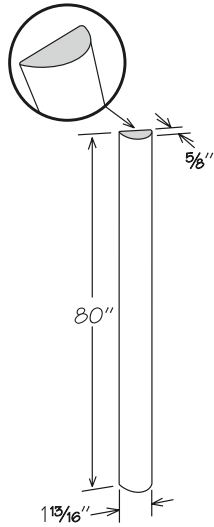
FURNITURE LEG

CFL

FOOT

CDF

Split Post

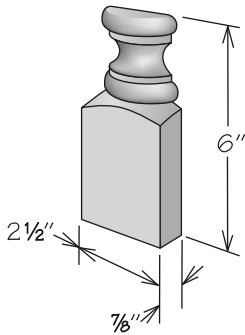


- Features solid wood finished to match cabinet box exterior
- Field trimmable
- Use with Traditional Split Block to create design element
- Must be mounted to a Universal Filler (order separately)

SPLIT POST
SPLT POST80 P

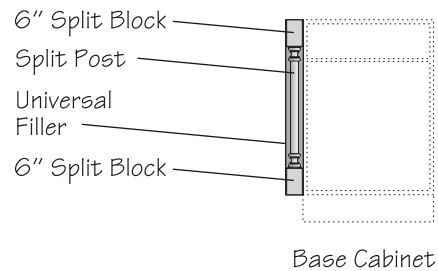
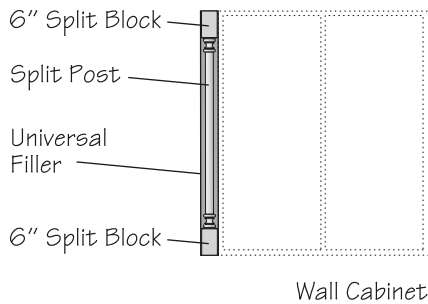
Suggested Design Applications

Traditional Split Block

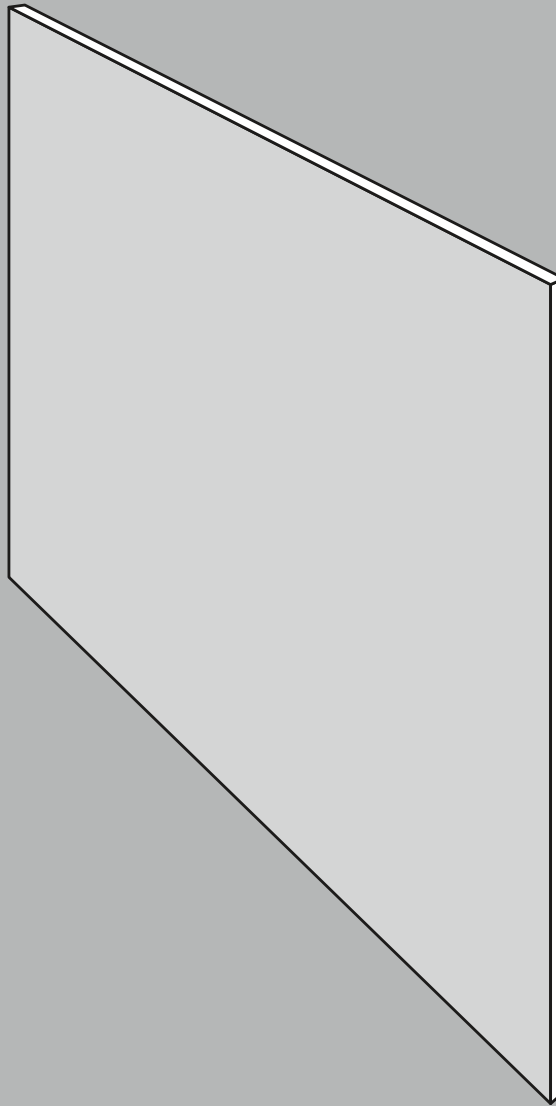


- Features solid wood finished to match cabinet box exterior - glazed finishes will be glazed
- For floor or wall application
- Use with Split Post to create design element
- Must be mounted to a Universal Filler (order separately)

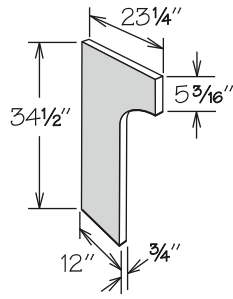
SPLIT BLOCK
SPLT BLOCK26 T



Panels, Fillers & Installation Items



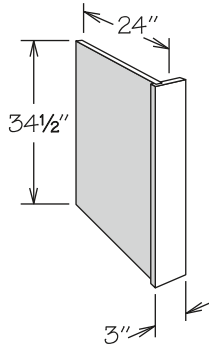
Desk End Panel



- Features 3/4" veneered engineered wood with both sides finished to match cabinet box exterior
- Recommend QM8 be ordered for installation to ensure proper attachment to wall
- Field trimmable
- Edge banded on front

DEP

Dishwasher Return

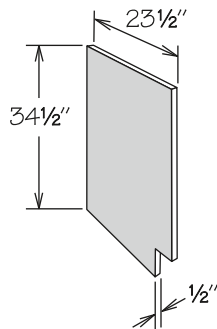


- Reversible for left or right installation
- Solid wood front
- All door styles feature 1/2" engineered wood with outside to match cabinet exterior and inside with a natural woodgrain look
- Wall attachment block Included
- Front filler can be trimmed to a minimum of 1" wide
- Can be notched for toe kick in the field

| |
|-----|
| APC |
| FE |
| PE |

DWR3

Sink/Vanity Front Return

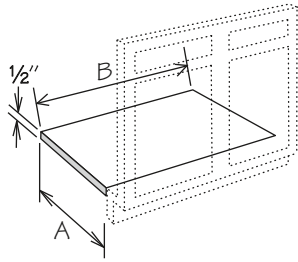


- Features 1/2" engineered wood with outside to match cabinet exterior and inside with a natural woodgrain look
- SKU signifies left or right return
- Attaching blocks included
- When ordered with Furniture Ends Option (FE) return will feature a rabbeted front edge
- Field trimmable

| |
|-----|
| APC |
| FE |
| PE |

SFRR
SFRL

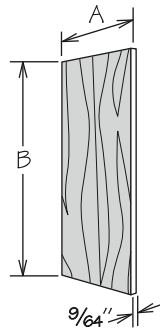
Sink/Vanity Front Floor



- All door styles feature 1/2" engineered wood with one side finished with a natural woodgrain look
- 1/2" oversize in width
- Field trimmable
- FL36X36 to be used for CSF36 (field trim to fit)
- FL48X48 to be used for CSF42 (field trim to fit)

| | A | B |
|---------|---------|---------|
| FL24 | 23 1/4" | 24 1/2" |
| FL36 | 23 1/4" | 36 1/2" |
| FL48 | 23 1/4" | 48 1/2" |
| FL60 | 23 1/4" | 60 1/2" |
| FL72 | 23 1/4" | 72 1/2" |
| FL36X36 | 36 1/4" | 36 1/4" |
| FL48X48 | 47 1/4" | 47 3/4" |

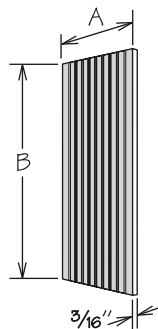
Paneling



- Wood door styles feature plywood, with vertical grain, finished on one side to match cabinet box exterior
- Duraform and Painted door styles feature engineered wood finished on one side to match cabinet box exterior
- TEP120 will feature plywood with vertical grain - finished on one side to match cabinet box exterior for all door styles
- Textured panels feature textured-wrapped engineered wood finished on one side to match cabinet door - available for Breeze and Drift finishes only
- FP9634 DT is shipped as two 48" wide x 34 1/2" high panels
- Field trimmable, can be notched for toe kick

| WOOD | TEXTURED | A | B |
|---------|------------|---------|---------|
| WEP30 | WEP30 DT | 11 1/4" | 30 1/8" |
| WEP42 | WEP42 DT | 11 1/4" | 42 1/8" |
| WEP48 | WEP48 DT | 11 1/4" | 48" |
| WEP1542 | WEP1542 DT | 14 1/4" | 42 1/8" |
| BEP34 | BEP34 DT | 23 1/4" | 34 1/2" |
| TEP84 | TEP84 DT | 23 1/4" | 84" |
| TEP96 | TEP96 DT | 23 1/4" | 96" |
| TEP120 | TEP120 DT | 23 1/4" | 120" |
| FP4834 | FP4834 DT | 48" | 34 1/2" |
| FP4896 | FP4896 DT | 48" | 96" |
| FP9634 | FP9634 DT | 96" | 34 1/2" |
| FP9648 | - | 96" | 48" |

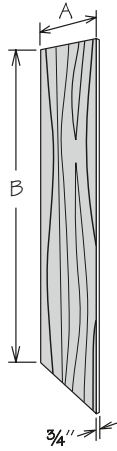
Grooved Paneling



- Grooved every 1 1/2" on one side
- All door styles feature 3/16" plywood with one side finished to match cabinet box exterior - glazed finishes will be glazed
- FP9634 Grooved Paneling is shipped as two 48" wide x 34 1/2" high panels
- Field trimmable, can be notched for toe kick

| | A | B |
|-----------------|---------|---------|
| WEP30 GROOVED | 11 1/4" | 30 1/8" |
| WEP42 GROOVED | 11 1/4" | 42 1/8" |
| WEP48 GROOVED | 11 1/4" | 48" |
| WEP1542 GROOVED | 14 1/4" | 42 1/8" |
| BEP34 GROOVED | 23 1/4" | 34 1/2" |
| TEP84 GROOVED | 23 1/4" | 84" |
| TEP96 GROOVED | 23 1/4" | 96" |
| FP4834 GROOVED | 48" | 34 1/2" |
| FP4896 GROOVED | 48" | 96" |
| FP9634 GROOVED | 96" | 34 1/2" |

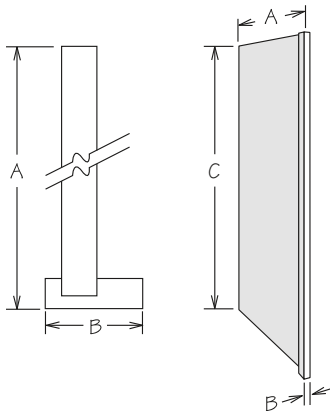
Wood End Panel



- Wood panels feature engineered wood finished on both sides to match cabinet box exterior for all door styles
 - » Edge banded on both long edges
- Textured panels feature textured-wrapped engineered wood finished on both sides to match cabinet door - available for Breeze and Drift finishes only
 - » WWEP_DT are edge banded on all four edges
 - » WBEP_DT and DWTEP_DT are edge banded on both long edges
- Field trimmable, can be notched for toe kick

| WOOD | A | B |
|-------------|-----|---------|
| WBEP | 24" | 34 1/2" |
| WTEP84 | 24" | 84" |
| WTEP96 | 24" | 96" |
| WTEP120 | 24" | 120" |
| DWTEP84 | 32" | 84" |
| DWTEP96 | 32" | 96" |
| TEXTURED | | |
| WWEP1330 DT | 13" | 30 1/8" |
| WWEP1336 DT | 13" | 36 1/8" |
| WWEP1339 DT | 13" | 39 1/8" |
| WWEP1342 DT | 13" | 42 1/8" |
| WBEP2534 DT | 25" | 34 1/2" |
| DWTEP84 DT | 32" | 84" |
| DWTEP96 DT | 32" | 96" |
| DWTEP120 DT | 32" | 120" |

Refrigerator Return - 1/2" Panel

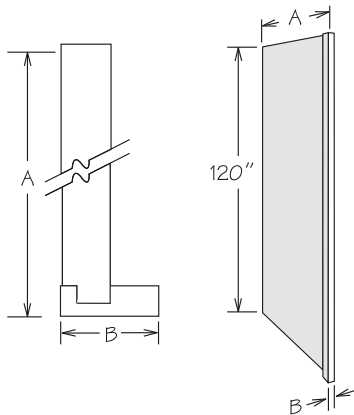


- Reversible for left or right installation
- Solid wood front
- 24" Deep Refrigerator Returns feature 1/2" engineered wood with outside finished to match cabinet exterior and inside with a natural woodgrain look
- 32" Deep Refrigerator Returns feature 1/2" plywood finished on outside to match cabinet exterior and interiors with a natural woodgrain look
- Front filler can be trimmed to a minimum of 1" wide
- Field trimmable in height, can be notched for toe kick

| |
|-------|
| APC ◆ |
| FE |
| MI |
| PE ◆ |
| RD ■ |

| | A | B | C |
|----------------|-----|--------|-----|
| RR84 ◆ | 24" | 1 5/8" | 84" |
| RR384 ◆ | 24" | 3" | 84" |
| RR96 ◆ | 24" | 1 5/8" | 96" |
| RR396 ◆ | 24" | 3" | 96" |
| RR84 X 32DP ■ | 32" | 1 5/8" | 84" |
| RR384 X 32DP ■ | 32" | 3" | 84" |
| RR96 X 32DP ■ | 32" | 1 5/8" | 96" |
| RR396 X 32DP ■ | 32" | 3" | 96" |

Refrigerator Return - 3/4" Panel

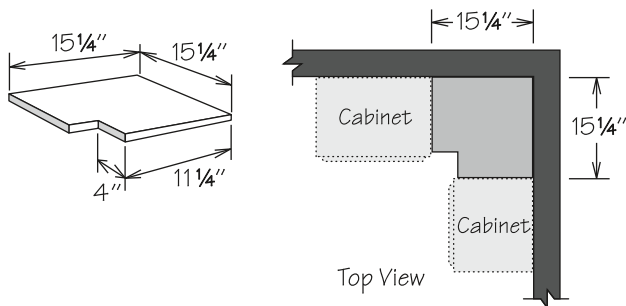


- Reversible for left or right installation
- Solid wood front
- 24" Deep Refrigerator Returns feature 3/4" engineered wood finished on both sides to match cabinet box exterior
- 32" Deep Refrigerator Returns feature 3/4" plywood finished on both sides to match cabinet box exterior
- Front filler can be trimmed to a minimum of 1" wide
- Field trimmable in height, can be notched for toe kick

| |
|-------|
| APC ◆ |
| RD ■ |

| | A | B |
|-------------------|-----|--------|
| RR120FL ◆ | 24" | 1 5/8" |
| RR3120FL ◆ | 24" | 3" |
| RR120FL X 32DP ■ | 32" | 1 5/8" |
| RR3120FL X 32DP ■ | 32" | 3" |

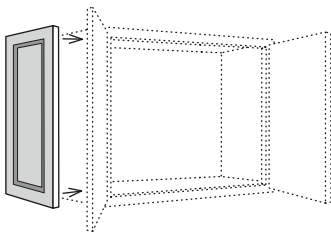
Blind Corner Closure



- Features 1/2" engineered wood with both sides finished with a natural woodgrain look
- Field trimmable

BLC1515

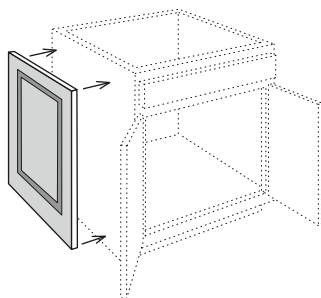
Decorator Matching Doors - Wall Cabinets



- Furniture Ends Option (FE) or WEP30/WEP42 panel is recommended for installation
- Attaches to side of wall cabinet
- Matches style and finish of cabinet doors
- Panel thickness is 3/4"
- Refer to Parts Directory for dimensions
- Not drilled for hinges

DMDW18
DMDW24
DMDW30
DMDW36
DMDW39
DMDW42

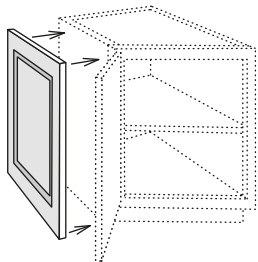
Decorator Matching Doors - Base Cabinets



- Furniture Ends Option (FE) or BEP34 panel is recommended for installation
- Attaches to side of 24" deep base cabinet
- Matches style and finish of cabinet doors
- Panel thickness is 3/4"
- Refer to Parts Directory for dimensions
- Not drilled for hinges

DMDB

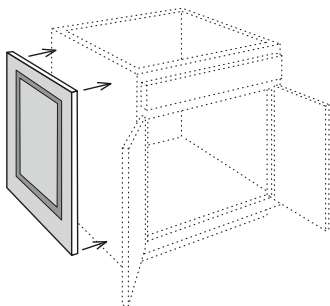
Decorator Matching Doors • Base End Angle Cabinets



- Furniture Ends Option (FE) or WEP42 panel is recommended for installation
- Attaches to side of BEA12 or BS2434
- Matches style and finish of cabinet doors
- Panel thickness is 3/4"
- Refer to Parts Directory for dimensions
- Not drilled for hinges

DMDBEA12

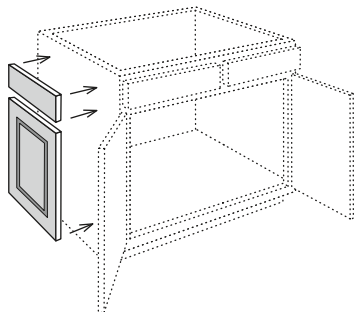
Decorator Matching Doors • Desk Cabinets



- Furniture Ends Option (FE) or BEP34 panel is recommended for installation
- Attaches to side of 21" or 24" deep desk cabinet
- Matches style and finish of cabinet doors
- Panel thickness is 3/4"
- Refer to Parts Directory for dimensions
- Not drilled for hinges

DMDD21
DMDD24

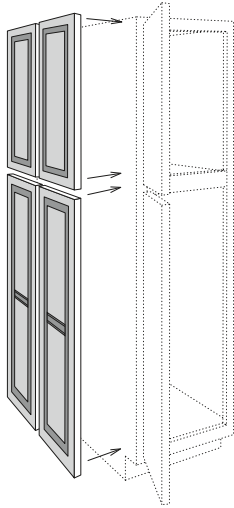
Decorator Matching Doors • Vanity Cabinet



- Furniture Ends Option (FE) or BEP34 panel is recommended for installation
- Attaches to side of 20 3/4" deep x 3 1/8" high vanity cabinet
 - » For 18" deep x 31 1/8" high vanity cabinets order DR1821 ND and DDF18
 - » For 20 3/4" deep x 34 1/2" high vanity cabinets order DR21FH ND (FOL) or DR2130 (POL)
 - » For 18" deep x 34 1/2" high vanity cabinets order DR18FH ND (FOL) or DR1830 (POL)
- Matches style and finish of cabinet doors
- Panel thickness is 3/4"
- Refer to Parts Directory for dimensions
- Not drilled for hinges

DMDV

Decorator Matching Doors - Tall Cabinets



- Furniture Ends Option (FE) or TEP84/TEP96 panel is recommended for installation
- Attaches to side of utility or oven cabinet
- Matches style and finish of cabinet doors
- Panel thickness is 3/4"
- 24" deep features four doors (as shown)
- 12" deep features two doors
- Bottom doors on DMDT will have a center for select door styles - refer to door style section
- Refer to Parts Directory for dimensions
- Not drilled for hinges

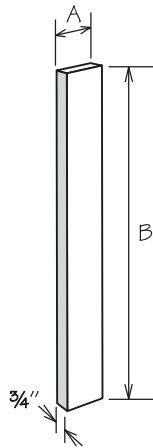
12" DEEP

DMDT8412
DMDT9012
DMDT9312
DMDT9612

24" DEEP

DMDT8424
DMDT9024
DMDT9324
DMDT9624

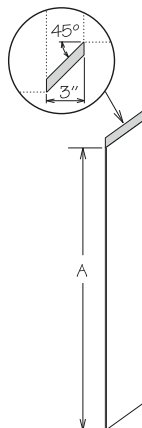
Universal Filler



- Features 3/4" solid wood
- UF__ are finished on front, both long edges and one short end to match cabinet exterior
- S3S__ are finished on front and all four edges to match cabinet exterior
- S4S_ is finished on front, back and all four edges to match cabinet box exterior
- Field trimmable

| WOOD | A | B |
|--------|----|---------|
| UF3 | 3" | 30 1/2" |
| UF6 | 6" | 30 1/2" |
| UF342 | 3" | 42 1/8" |
| UF642 | 6" | 42 1/8" |
| UF380 | 3" | 80" |
| UF680 | 6" | 80" |
| UF392 | 3" | 92" |
| UF692 | 6" | 92" |
| S3S396 | 3" | 96" |
| S3S696 | 6" | 96" |
| S4S396 | 3" | 96" |
| S4S696 | 6" | 96" |
| UF3120 | 3" | 120" |

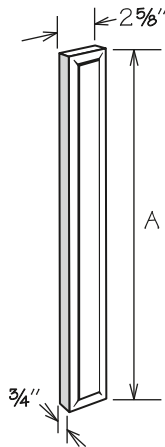
Universal Filler Extension



- Features 3/4" solid wood
- Finished on front and all four edges to match cabinet box exterior
- Field trimmable

| | A |
|---------|---------|
| UF E3 | 30 1/2" |
| UF E342 | 42 1/8" |

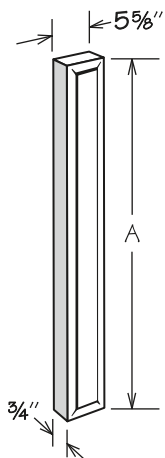
3" Overlay Filler



- For use with full overlay door styles only
- Outside profile is a complementary match to the outside profile of door - see next page for details
- Wood overlay fillers feature:
 - » Solid wood finished to match cabinet box exterior for Wood, Painted and Duraform Breeze and Drift door styles - glazed finishes will be glazed, excluding slab overlay profiles
 - » Duraform wrapped engineered wood for Duraform Espresso, Harbor, Linen and Stone door styles
- Textured overlay fillers feature textured wrapped engineered wood finished to match cabinet door - available for Breeze and Drift finishes only
- Finished on all edges
- Indicate door style when ordering
- Not field trimmable
- Must be mounted to a Universal Filler (order separately)

| WOOD | TEXTURED | A |
|--------|-----------|----------|
| WOF312 | WOF312 DT | 11 9/16" |
| WOF315 | WOF315 DT | 14 9/16" |
| WOF318 | WOF318 DT | 17 9/16" |
| WOF321 | WOF321 DT | 20" |
| WOF324 | WOF324 DT | 23 7/8" |
| WOF327 | WOF327 DT | 26 1/2" |
| WOF330 | WOF330 DT | 29 1/2" |
| WOF336 | WOF336 DT | 35 1/2" |
| WOF339 | WOF339 DT | 38 1/2" |
| WOF342 | WOF342 DT | 41 1/2" |
| BOF3 | BOF3 DT | 29 7/8" |
| DOF3 | DOF3 DT | 23 7/8" |
| VOF3 | VOF3 DT | 26 1/2" |
| TOF384 | TOF384 DT | 79 3/8" |
| TOF390 | TOF390 DT | 85 3/8" |
| TOF393 | TOF393 DT | 88 3/8" |
| TOF396 | TOF396 DT | 91 3/8" |

6" Overlay Filler



- WOF6_ available for full overlay Duraform door styles only
- BOF6_ available for full overlay door styles only
- Outside profile is a complementary match to the outside profile of door - see next page for details
- Duraform overlay fillers feature wrapped engineered wood for Duraform Espresso, Harbor, Linen and Stone door styles
- Wood overlay fillers feature solid wood finished to match cabinet box exterior for Wood, Painted and Duraform Breeze and Drift door styles - glazed finishes will be glazed, excluding slab overlay profiles
- Textured overlay fillers feature textured wrapped engineered wood finished to match cabinet door - available for Breeze and Drift finishes only
- Finished on all edges
- Indicate door style when ordering
- Not field trimmable
- Must be mounted to a Universal Filler (order separately)

| DURAFORM | WOOD | TEXTURED | A |
|----------|------|----------|---------|
| WOF630 | — | — | 29 1/2" |
| WOF636 | — | — | 35 1/2" |
| WOF639 | — | — | 38 1/2" |
| WOF642 | — | — | 41 1/2" |
| BOF6 | BOF6 | BOF6 DT | 29 7/8" |

Overlay Filler Profiles

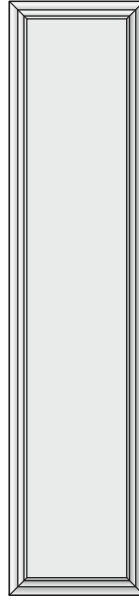
Profile for:

- MacArthur
- Savannah



Profile for:

- Brookland
- Brookland w/ DFO



Profile for:

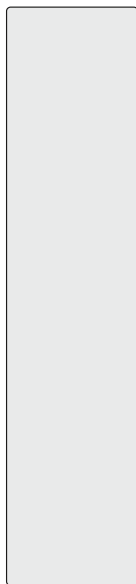
- Portola*
- Portola w/ DFO



*Excluding Portola Duraform

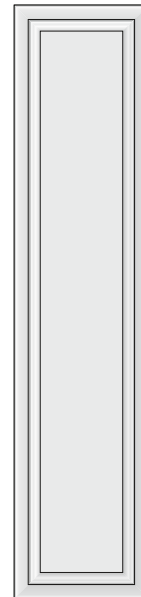
Profile for:

- Adelaide
- Adelaide w/ DFO
- Garner
- Garner w/ DFO
- Hanover
- Leesburg
- Leesburg w/ DFO
- Reading
- Reading w/ DFO
- Remy
- Remy w/ DFO
- Westerly
- Westerly w/ DFO

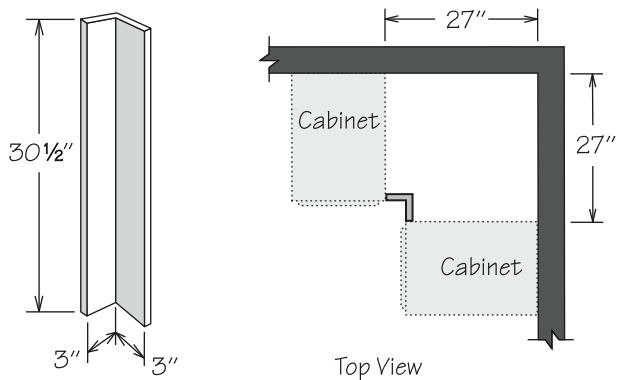


Profile for:

- Portola Duraform



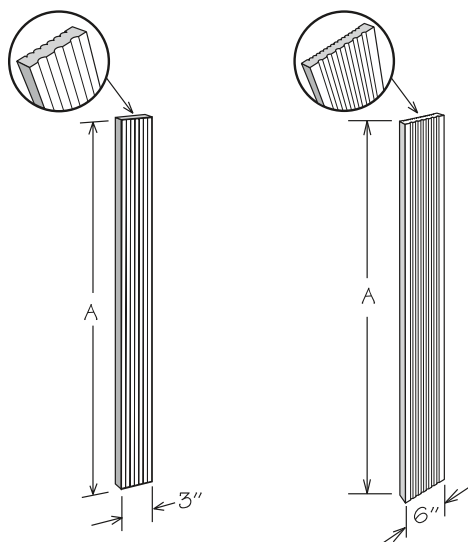
Base Corner Filler



- 3/4" solid wood
- Finished on front and all four edges to match cabinet box exterior
- Field trimmable

BCF27

Fluted Beaded Filler - Reversible



- Filler is fluted on one side and beaded on reverse side
- Finished on all sides to match cabinet box exterior - glazed finishes will be glazed
- 3/4" solid wood
- Apply decorative blocks for accent
- Field trimmable
- Ensure correct side is exposed when installed

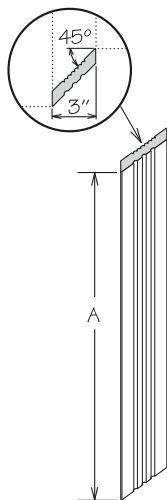
3" WIDE

| | A |
|--------|----------|
| FBF3 | 30 1/2" |
| FBF342 | 42 1/8" |
| FBF384 | 84" |
| FBF396 | 96" |

6" WIDE

| | |
|--------|---------|
| FBF6 | 30 1/2" |
| FBF642 | 42 1/8" |
| FBF684 | 84" |
| FBF696 | 96" |

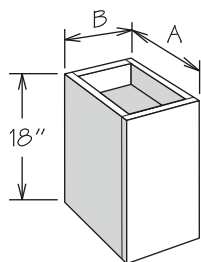
Fluted Beaded Filler Extension - Reversible



- Filler is fluted on one side and beaded on reverse side
- Finished all sides to match cabinet box exterior - glazed finishes will be glazed
- 3/4" solid wood
- Apply 3" wide decorative blocks for accent
- Field trimmable
- Ensure correct side is exposed when installed

| | A |
|----------|----------|
| FBF E3 | 30 1/2" |
| FBF E342 | 42 1/8" |

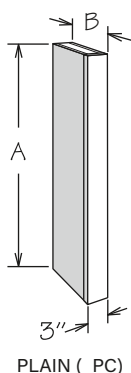
Plain Box Filler



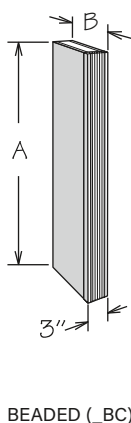
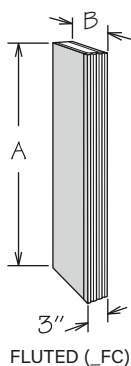
- Veneered engineered wood finished to match cabinet box exterior
- Features ¼" reveal
- Trimmable in height to 14½" tall
- Reversible for left or right installation

| | A | B |
|-----------|-----|-----|
| WPB91815 | 15" | 9" |
| WPB121815 | 15" | 12" |

Column Filler

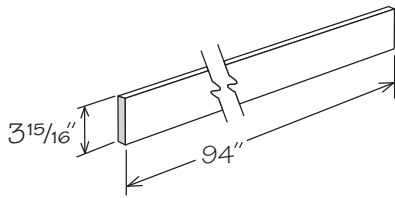


- Veneered engineered wood finished to match cabinet box exterior - glazed finishes will be glazed, excluding Plain Column Fillers
- 3" wide x ¾" thick solid wood front
- Sides are flush with face
- Reversible for left or right installation
- Top and bottom edges of returns are edge banded
- Apply overlay filler or 3" wide decorative blocks for accent
- Field trimmable to any depth
- Field trimmable in height noted below:
 - » W_C31530 field trimmable to 27⅞", 24½", 20⅝" 18⅞", 15⅞", or 12⅞"
 - » W_C31542 field trimmable to 39⅞" or 36⅞"
 - » W_C31560 field trimmable to 54" or 48"
 - » B_C32734 field trimmable to 32½", 31⅞" or 28½"
 - » T_C32796 field trimmable to 93" or 90"
 - » T_C32784 not trimmable in height



| PLAIN | A | B |
|---------------|------|-----|
| Wall | | |
| WPC31530 | 30⅞" | 15" |
| WPC31542 | 42⅞" | 15" |
| WPC31560 | 60" | 15" |
| Base | | |
| BPC32734 | 34½" | 27" |
| Tall | | |
| TPC32784 | 84" | 27" |
| TPC32796 | 96" | 27" |
| FLUTED | | |
| Wall | | |
| WFC31530 | 30⅞" | 15" |
| WFC31542 | 42⅞" | 15" |
| WFC31560 | 60" | 15" |
| Base | | |
| BFC32734 | 34½" | 27" |
| Tall | | |
| TFC32784 | 84" | 27" |
| TFC32796 | 96" | 27" |
| BEADED | | |
| Wall | | |
| WBC31530 | 30⅞" | 15" |
| WBC31542 | 42⅞" | 15" |
| WBC31560 | 60" | 15" |
| Base | | |
| BBC32734 | 34½" | 27" |
| Tall | | |
| TBC32784 | 84" | 27" |
| TBC32796 | 96" | 27" |

Base Toe Kick



- Wood door styles feature 3/4" plywood, with vertical grain, finished on one side to match cabinet box exterior
- Duraform and Painted door styles feature 3/4" engineered wood finished on one side to match cabinet box exterior
- Textured toe kicks feature textured-wrapped 3/4" engineered wood finished on one side to match cabinet door - available for Breeze and Drift finishes only
- Putty Stick and Touch Up Marker are recommended for exposed ends

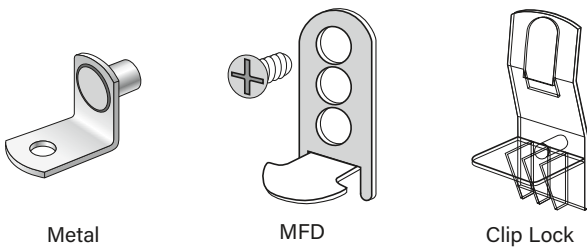
WOOD

BTK8

TEXTURED

BTK8 DT

Shelf Rests



- Metal and MFD shelf rests are nickel plated steel
- MFD shelf rests are six position adjustable for alignment of shelf with mullion
- Clip Lock shelf rests are molded clear high-strength polycarbonate

QTY.

Bookshelves & Wall Shelves

| | |
|----------------------|----|
| SHELF REST METAL 4PK | 4 |
| SHELF REST METAL 12 | 12 |

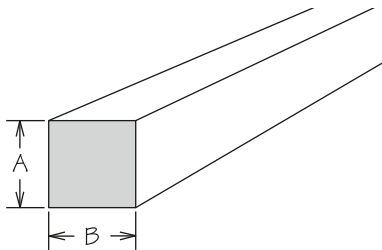
Mullion Frame Cabinet Shelves

| | |
|-------------------|---|
| SHELF REST MFD PK | 8 |
|-------------------|---|

3/4" Base & Tall Shelves

| | |
|--------------------------|---|
| CLIP LOCK SHELF 3/4 4 PK | 4 |
|--------------------------|---|

Cleat

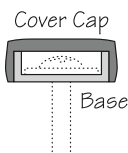
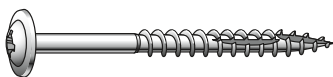


- HWC 1/2X1/2X94 and HWC 3/4X3/4X94 are shipped in two 47" long pieces
- Unfinished

A B LENGTH

| | | | |
|----------------|--------|--------|-----|
| HWC 1/2X1/2X94 | 1/2" | 1/2" | 94" |
| HWC 3/4X3/4X94 | 3/4" | 3/4" | 94" |
| HWC 1X2X94 | 3/4" | 1 1/2" | 94" |
| HWC 2X4X96 | 1 1/2" | 3 1/2" | 96" |

Screws & Screw Cover Caps

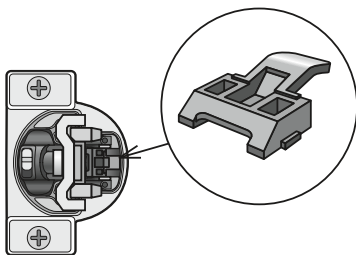


- Installation screws are Phillips panhead 2 1/2" long
- COVER CAP ____ used to conceal head of installation screw
- COVER CAP 10MM ____ used to conceal predrilled holes in cabinet backs

QTY.

| | |
|----------------------|-----|
| SCREW INST 2.5 BX100 | 100 |
| COVER CAP TAN | 50 |
| COVER CAP WHT | 50 |
| COVER CAP 10MM TAN | 4 |
| COVER CAP 10MM WHT | 4 |

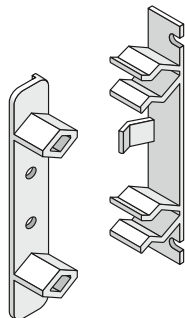
Hinge Restriction Clip



- Limits door opening to 86° to avoid contact with adjacent objects
- For use on soft-close hinges only
- HINGE CC RES CLP SAL for use on Brookland Duraform, Brookland w/ DFO Duraform, Remy and Remy w/ DFO door styles
- HINGE CC ANG RES CLP for use on all door styles EXCLUDING Brookland Duraform, Brookland w/ DFO Duraform, Remy and Remy w/ DFO door styles
- Package includes 10 per bag (1 required per hinge)
- Cannot be used on cabinets with roll out accessories

HINGE CC ANG RES CLP
HINGE CC RES CLP SAL

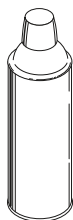
Dummy Drawer Front Fastener



- For installation of one dummy drawer front
- Kit contents:
 - » Two sets of DDF Fasteners
 - » Eight screws
 - » One instruction sheet
- Please refer to cabinet specifications as some cabinets will require more than one kit

DDF FASTENER

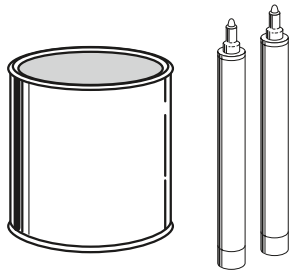
Spray Stain



- SPRAY STAIN TINTED available for all finishes
- SPRAY STAIN TINTED for Duraform Breeze and Drift will match the cabinet box exterior
- SPRAY STAIN CLEAR for use as top coat
- Indicate species and finish when ordering
- 11 ounce aerosol spray can

SPRAY STAIN CLEAR
SPRAY STAIN TINTED

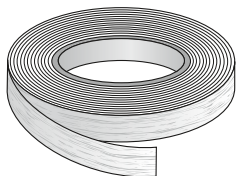
Stain



- STAIN PINT (QUART) for use on all non-glazed stains and non-glazed painted finishes
- STAIN GLAZED PINT (QUART) for use on all glazed stains and glazed painted finishes
 - » STAIN GLAZED PINT includes one STAIN PINT and two STAIN GLAZED PENS
 - » STAIN GLAZED QUART includes one STAIN QUART and four STAIN GLAZED PENS
- STAIN TOP COAT strongly recommended for application over ALL finishes - order separately
- STAIN GLAZED PENS for use on all glazed stains and glazed painted finishes, includes 2 pens
- Stains for Duraform finishes will match the cabinet box exterior
- Indicate species and finish when ordering
- PINT covers approximately 40 square feet
- QUART covers approximately 80 square feet
- Instructions included
- Glaze comes as pens only - not cans

STAIN PINT
 STAIN QUART
 STAIN GLAZED PINT
 STAIN GLAZED QUART
 STAIN GLAZED PENS
 STAIN TOP COAT PINT
 STAIN TOP COAT QUART

Edge Banding - Textured

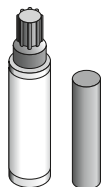


- Available for Breeze and Drift finishes only
- Tape is required for edge band installation
- Trimmable

| | HEIGHT | LENGTH |
|-------------------|--------|--------|
| EDGE BAND 25 DT | 7/8" | 25' |
| EDGE BAND TAPE 50 | 1" | 50' |

Putty Stick & Marker

NEW! NOMENCLATURE



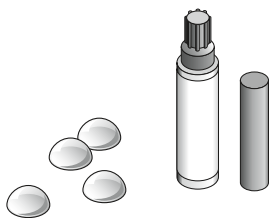
- Indicate species and finish when ordering
 - » Touch-Up Markers and Putty Sticks for Duraform Breeze and Drift will match the cabinet box exterior
- TU MARKER EXTERIOR for use on all non-glazed stains and non-glazed painted finishes
- TU MARKER EXT GLAZE for use on all glazed stains and glazed painted finishes - includes markers for both glazed and non-glazed surfaces
- Putty Sticks are recommended for filling minor dents, gouges and scratches made during or after installation
- Touch-Up Markers add color to minor surface scratches

PUTTY STICK
 PUTTY STICK EXTERIOR
 PUTTY STICK INTERIOR

TOUCH-UP MARKER
 TU MARKER EXTERIOR
 TU MARKER EXT GLAZE
 TU MARKER DURAFORM
 TU MARKER INTERIOR

Touch-Up Kit

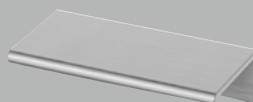
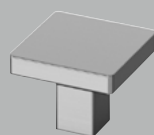
NEW! PRODUCT



- Kit for repairing minor dents, gouges, scratches and surface imperfections
- Kit includes:
 - » PUTTY STICK EXTERIOR
 - » TU MARKER EXTERIOR
 - » BUMPER CLEAR - strip of 4 door bumpers
- For glazed finishes, TU MARKER EXT GLAZE may be ordered separately for touch-up on glazed areas
- Instructions printed on bag

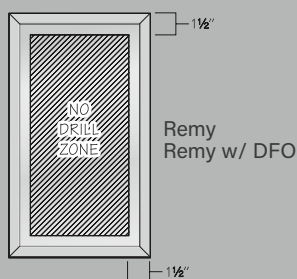
TOUCHUP KIT

Decorative Hardware



DRILLING RESTRICTIONS AND NOTES

- American Woodmark does not recommend drilling through any door/drawer joint for installation of decorative hardware.
- Door and drawer fronts must be adjusted before installing decorative hardware.
- Remy door styles cannot be drilled more than 1 1/2" from outside edges of doors.



RESTRICTION KEY

- NR12** Not recommended on regular 12" drawers
- NR15** Not recommended on regular drawers 15" or 12"
- NR18** Not recommended on regular drawers 18", 15" or 12"
- NR12LG** Not recommended on large 12" drawers
- NR15LG** Not recommended on large 15" or 12" drawers
- NR18LG** Not recommended on large 18", 15" or 12" drawers
- NR21LG** Not recommended on large 21", 18", 15" or 12" drawers
- NRKDC** Not recommended kneehole drawers
- NR** Not recommended for any size drawer

Some decorative hardware has restrictions for use on certain door styles which will be indicated with restriction-specific icons followed by the door style(s) that have the restriction. Restrictions may differ on regular and large drawer fronts based on center panel dimensions for each door style.

HARDWARE RESTRICTION EXAMPLE

- NR12** Adelaide w/ DFO, Leesburg w/ DFO, MacArthur, Savannah
- NR12LG** Adelaide w/ DFO, Garner w/ DFO, Leesburg w/ DFO, MacArthur
- NR15LG** Savannah

EXPLANATION: This specific hardware is not recommended on:

- 12" regular drawer fronts for the Adelaide w/ DFO, Leesburg w/ DFO, MacArthur, Savannah door styles
- 12" large drawer fronts for the Adelaide w/ DFO, Garner w/ DFO, Leesburg w/ DFO, MacArthur door styles
- 15" or 12" large drawer fronts for the Savannah door style

Antic



Tier 3
Antic Pull
Polished Chrome
PULL 6797PC

128mm Center • Overall Length: 5 13/16"



Tier 3
Antic Pull
Satin Nickel
PULL 6797SN

128mm Center • Overall Length: 5 13/16"



Tier 3
Antic Pull
Vintage Nickel
PULL 6797VN

128mm Center • Overall Length: 5 13/16"



Tier 3
Antic Pull
Modern Brushed Gold
PULL 6797MG

128mm Center • Overall Length: 5 13/16"



Tier 3
Antic Pull
Matte Black
PULL 6797MB

128mm Center • Overall Length: 5 13/16"

- NR12** Portola w/ DFO, Reading w/ DFO
- NR12LG** Garner w/ DFO, MacArthur, Portola w/ DFO, Reading w/ DFO, Savannah, Westerly w/ DFO



Tier 3
Antic Knob
Polished Chrome
KNOB 6798PC



Tier 3
Antic Knob
Satin Nickel
KNOB 6798SN



Tier 3
Antic Knob
Vintage Nickel
KNOB 6798VN



Tier 3
Antic Knob
Modern Brushed Gold
KNOB 6798MG



Tier 3
Antic Knob
Matte Black
KNOB 6798MB

Briolette



Tier 3
Briolette Pull
Polished Chrome
PULL 2272PC

128mm Center • Overall Length: 5 3/4"



Tier 3
Briolette Pull
Satin Nickel
PULL 2272SN

128mm Center • Overall Length: 5 3/4"



Tier 3
Briolette Pull
Modern Brushed Gold
PULL 2272MG

128mm Center • Overall Length: 5 3/4"



Tier 3
Briolette Pull
Brushed Copper
PULL 2272CP

128mm Center • Overall Length: 5 3/4"



Tier 3
Briolette Pull
Matte Black
PULL 2272MB

128mm Center • Overall Length: 5 3/4"

- NR12** Portola w/ DFO, Reading w/ DFO
- NR12LG** Garner w/ DFO, MacArthur, Portola w/ DFO, Reading w/ DFO, Savannah, Westerly w/ DFO



Tier 3
Briolette Knob
Polished Chrome
KNOB 2271PC



Tier 3
Briolette Knob
Satin Nickel
KNOB 2271SN



Tier 3
Briolette Knob
Modern Brushed Gold
KNOB 2271MG



Tier 3
Briolette Knob
Brushed Copper
KNOB 2271CP



Tier 3
Briolette Knob
Matte Black
KNOB 2271MB

Radiant



Tier 3
Radiant Pull
Satin Nickel
PULL 0318SN

128mm Center • Overall Length: 5 3/4"



Tier 3
Radiant Pull
Weathered Nickel
PULL 0318WN

128mm Center • Overall Length: 5 3/4"



Tier 3
Radiant Pull
Modern Brushed Gold
PULL 0318MG

128mm Center • Overall Length: 5 3/4"



Tier 3
Radiant Pull
Verona Bronze
PULL 0318VB

128mm Center • Overall Length: 5 3/4"



Tier 3
Radiant Pull
Matte Black
PULL 0318MB

128mm Center • Overall Length: 5 3/4"

NR12 Portola w/ DFO, Reading w/ DFO

NR12LG Garner w/ DFO, MacArthur, Portola w/ DFO, Reading w/ DFO, Savannah, Westerly w/ DFO



Tier 3
Radiant Knob
Satin Nickel
KNOB 0319SN



Tier 3
Radiant Knob
Weathered Nickel
KNOB 0319WN



Tier 3
Radiant Knob
Modern Brushed Gold
KNOB 0319MG



Tier 3
Radiant Knob
Verona Bronze
KNOB 0319VB



Tier 3
Radiant Knob
Matte Black
KNOB 0319MB

Trillion



Tier 3
Trillion Pull
Polished Chrome
PULL 0875PC

128mm Center • Overall Length: 5 1/2"



Tier 3
Trillion Pull
Satin Nickel
PULL 0875SN

128mm Center • Overall Length: 5 1/2"



Tier 3
Trillion Pull
Vintage Nickel
PULL 0875VN

128mm Center • Overall Length: 5 1/2"



Tier 3
Trillion Pull
Modern Brushed Gold
PULL 0875MG

128mm Center • Overall Length: 5 1/2"



Tier 3
Trillion Pull
Matte Black
PULL 0875MB

128mm Center • Overall Length: 5 1/2"

NR12 Reading w/ DFO

NR12LG Reading w/ DFO, Savannah, Westerly w/ DFO



Tier 3
Trillion Knob
Polished Chrome
KNOB 0876PC



Tier 3
Trillion Knob
Satin Nickel
KNOB 0876SN



Tier 3
Trillion Knob
Vintage Nickel
KNOB 0876VN



Tier 3
Trillion Knob
Modern Brushed Gold
KNOB 0876MG



Tier 3
Trillion Knob
Matte Black
KNOB 0876MB

Marquise



Tier 3
Marquise Pull - 6 7/8"
Polished Chrome
 PULL 4213PC

160mm Center • Overall Length: 6 7/8"



Tier 3
Marquise Pull - 6 7/8"
Satin Nickel
 PULL 4213SN

160mm Center • Overall Length: 6 7/8"



Tier 3
Marquise Pull - 6 7/8"
Modern Brushed Gold
 PULL 4213MG

160mm Center • Overall Length: 6 7/8"



Tier 3
Marquise Pull - 6 7/8"
Brushed Copper
 PULL 4213CP

160mm Center • Overall Length: 6 7/8"



Tier 3
Marquise Pull - 6 7/8"
Matte Black
 PULL 4213MB

160mm Center • Overall Length: 6 7/8"

NR12 Adelaide w/ DFO, Leesburg w/ DFO, Portola w/ DFO, Reading w/ DFO, Savannah, Westerly w/ DFO

NR12LG Adelaide w/ DFO, Garner w/ DFO, Leesburg w/ DFO, MacArthur, Portola w/ DFO, Reading w/ DFO, Westerly w/ DFO

NR15LG Savannah



Tier 3
Marquise Pull - 5 9/16"
Polished Chrome
 PULL 4212PC

128mm Center • Overall Length: 5 9/16"



Tier 3
Marquise Pull - 5 9/16"
Satin Nickel
 PULL 4212SN

128mm Center • Overall Length: 5 9/16"



Tier 3
Marquise Pull - 5 9/16"
Modern Brushed Gold
 PULL 4212MG

128mm Center • Overall Length: 5 9/16"



Tier 3
Marquise Pull - 5 9/16"
Brushed Copper
 PULL 4212CP

128mm Center • Overall Length: 5 9/16"



Tier 3
Marquise Pull - 5 9/16"
Matte Black
 PULL 4212MB

128mm Center • Overall Length: 5 9/16"

NR12 Portola w/ DFO, Reading w/ DFO

NR12LG Garner w/ DFO, MacArthur, Portola w/ DFO, Reading w/ DFO, Savannah, Westerly w/ DFO

Halo



Tier 2
Halo Knob
Polished Chrome
 KNOB 3106PC



Tier 2
Halo Knob
Satin Nickel
 KNOB 3106SN



Tier 2
Halo Knob
Modern Brushed Gold
 KNOB 3106MG



Tier 2
Halo Knob
Brushed Copper
 KNOB 3106CP



Tier 2
Halo Knob
Matte Black
 KNOB 3106MB

Rectangular



Tier 2
Rectangular Pull
Polished Chrome
PULL 3502PC

96mm Center • Overall Length: 4 13/16"



Tier 2
Rectangular Pull
Satin Nickel
PULL 3502SN

96mm Center • Overall Length: 4 13/16"



Tier 2
Rectangular Pull
Vintage Nickel
PULL 3502VN

96mm Center • Overall Length: 4 13/16"



Tier 2
Rectangular Pull
Modern Brushed Gold
PULL 3502MG

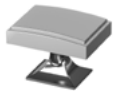
96mm Center • Overall Length: 4 13/16"



Tier 2
Rectangular Pull
Matte Black
PULL 3502MB

96mm Center • Overall Length: 4 13/16"

NR12LG Portola w/ DFO, Savannah



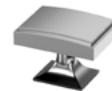
Tier 2
Rectangular Knob
Polished Chrome
KNOB 3503PC



Tier 2
Rectangular Knob
Satin Nickel
KNOB 3503SN



Tier 2
Rectangular Knob
Vintage Nickel
KNOB 3503VN



Tier 2
Rectangular Knob
Modern Brushed Gold
KNOB 3503MG



Tier 2
Rectangular Knob
Matte Black
KNOB 3503MB

Beaded



Tier 2
Beaded Pull
Satin Nickel
PULL 3562SN

96mm Center • Overall Length: 4 1/2"



Tier 2
Beaded Pull
Weathered Nickel
PULL 3562WN

96mm Center • Overall Length: 4 1/2"



Tier 2
Beaded Pull
Modern Brushed Gold
PULL 3562MG

96mm Center • Overall Length: 4 1/2"



Tier 2
Beaded Pull
Verona Bronze
PULL 3562VB

96mm Center • Overall Length: 4 1/2"



Tier 2
Beaded Pull
Matte Black
PULL 3562MB

96mm Center • Overall Length: 4 1/2"

NR12LG Savannah

Stamped



Tier 2
Stamped Knob
Satin Nickel
KNOB 3563SN



Tier 2
Stamped Knob
Weathered Nickel
KNOB 3563WN



Tier 2
Stamped Knob
Modern Brushed Gold
KNOB 3563MG



Tier 2
Stamped Knob
Verona Bronze
KNOB 3563VB



Tier 2
Stamped Knob
Matte Black
KNOB 3563MB

Bow



| | | | | |
|---|--|---|--|---|
| <p>Tier 2 Bow Pull - 7 13/16" Polished Chrome PULL 3129PC 5" Center • Overall Length: 7 13/16"</p> | <p>Tier 2 Bow Pull - 7 13/16" Satin Nickel PULL 3129SN 5" Center • Overall Length: 7 13/16"</p> | <p>Tier 2 Bow Pull - 7 13/16" Modern Brushed Gold PULL 3129MG 5" Center • Overall Length: 7 13/16"</p> | <p>Tier 2 Bow Pull - 7 13/16" Brushed Copper PULL 3129CP 5" Center • Overall Length: 7 13/16"</p> | <p>Tier 2 Bow Pull - 7 13/16" Matte Black PULL 3129MB 5" Center • Overall Length: 7 13/16"</p> |
|---|--|---|--|---|

- NR12** Adelaide w/ DFO, Garner w/ DFO, Leesburg w/ DFO, MacArthur, Portola w/ DFO, Reading w/ DFO, Savannah, Westerly w/ DFO
- NR12LG** Adelaide w/ DFO, Garner w/ DFO, Leesburg w/ DFO, MacArthur, Portola w/ DFO, Reading w/ DFO, Westerly w/ DFO
- NR15LG** Savannah



| | | | | |
|---|--|---|--|---|
| <p>Tier 1 Bow Pull - 6 3/16" Polished Chrome PULL 3128PC 96mm Center • Overall Length: 6 3/16"</p> | <p>Tier 1 Bow Pull - 6 3/16" Satin Nickel PULL 3128SN 96mm Center • Overall Length: 6 3/16"</p> | <p>Tier 1 Bow Pull - 6 3/16" Modern Brushed Gold PULL 3128MG 96mm Center • Overall Length: 6 3/16"</p> | <p>Tier 1 Bow Pull - 6 3/16" Brushed Copper PULL 3128CP 96mm Center • Overall Length: 6 3/16"</p> | <p>Tier 1 Bow Pull - 6 3/16" Matte Black PULL 3128MB 96mm Center • Overall Length: 6 3/16"</p> |
|---|--|---|--|---|

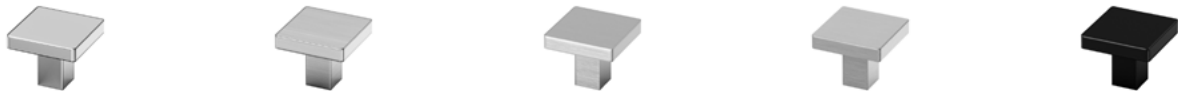
- NR12** Portola w/ DFO, Reading w/ DFO, Westerly w/ DFO
- NR12LG** Garner w/ DFO, MacArthur, Westerly w/ DFO
- NR15LG** Savannah

Tempo



| | | | | |
|--|---|--|---|--|
| <p>Tier 2 Tempo Pull Polished Chrome PULL 0323PC 128mm Center • Overall Length: 5 7/16"</p> | <p>Tier 2 Tempo Pull Satin Nickel PULL 0323SN 128mm Center • Overall Length: 5 7/16"</p> | <p>Tier 2 Tempo Pull Modern Brushed Gold PULL 0323MG 128mm Center • Overall Length: 5 7/16"</p> | <p>Tier 2 Tempo Pull Brushed Copper PULL 0323CP 128mm Center • Overall Length: 5 7/16"</p> | <p>Tier 1 Tempo Pull Matte Black PULL 0323MB 128mm Center • Overall Length: 5 7/16"</p> |
|--|---|--|---|--|

- NR12** Reading w/ DFO
- NR12LG** Reading w/ DFO, Savannah, Westerly w/ DFO



| | | | | |
|---|--|---|--|---|
| <p>Tier 2 Tempo Knob Polished Chrome KNOB 0322PC</p> | <p>Tier 2 Tempo Knob Satin Nickel KNOB 0322SN</p> | <p>Tier 2 Tempo Knob Modern Brushed Gold KNOB 0322MG</p> | <p>Tier 2 Tempo Knob Brushed Copper KNOB 0322CP</p> | <p>Tier 2 Tempo Knob Matte Black KNOB 0322MB</p> |
|---|--|---|--|---|

Cup



**Tier 2
Cup Pull
Satin Nickel**
PULL 3105SN
3" Center • Overall Length: 4 5/8"



**Tier 2
Cup Pull
Weathered Nickel**
PULL 3105WN
3" Center • Overall Length: 4 5/8"



**Tier 2
Cup Pull
Modern Brushed Gold**
PULL 3105MG
3" Center • Overall Length: 4 5/8"



**Tier 2
Cup Pull
Verona Bronze**
PULL 3105VB
3" Center • Overall Length: 4 5/8"



**Tier 2
Cup Pull
Matte Black**
PULL 3105MB
3" Center • Overall Length: 4 5/8"

NR Portola w/ DFO, Remy w/ DFO, Savannah, Westerly w/ DFO

NRKDC Adelaide w/ DFO, Leesburg w/ DFO, Reading w/ DFO

Classic



**Tier 1
Classic Pull
Satin Nickel**
PULL 3172SN
3" Center • Overall Length: 5 5/8"



**Tier 1
Classic Pull
Verona Bronze**
PULL 3172VB
3" Center • Overall Length: 5 5/8"



**Tier 1
Classic Pull
Matte Black**
PULL 3172MB
3" Center • Overall Length: 5 5/8"

NR12LG Savannah, Westerly w/ DFO



**Tier 1
Classic Knob
Satin Nickel**
KNOB 3173SN



**Tier 1
Classic Knob
Weathered Nickel**
KNOB 3173WN



**Tier 1
Classic Knob
Modern Brushed Gold**
KNOB 3173MG



**Tier 1
Classic Knob
Verona Bronze**
KNOB 3173VB



**Tier 1
Classic Knob
Matte Black**
KNOB 3173MB

Toggle



**Tier 1
Toggle Knob
Satin Nickel**
KNOB 3239SN



**Tier 1
Toggle Knob
Verona Bronze**
KNOB 3239VB



**Tier 1
Toggle Knob
Matte Black**
KNOB 3239MB

Twisted Crescent



Tier 1
Twisted Crescent Pull
Satin Nickel
PULL 3122SN

96mm Center • Overall Length: 5 1/16"



Tier 1
Twisted Crescent Pull
Verona Bronze
PULL 3122VB

96mm Center • Overall Length: 5 1/16"



Tier 1
Twisted Crescent Pull
Matte Black
PULL 3122MB

96mm Center • Overall Length: 5 1/16"

NR12LG Savannah, Westerly w/ DFO

Button



Tier 1
Button Knob
Satin Nickel
KNOB 3213SN



Tier 1
Button Knob
Verona Bronze
KNOB 3213VB



Tier 1
Button Knob
Matte Black
KNOB 3213MB

Ringed



Tier 1
Ringed Arch Pull
Satin Nickel
PULL 3672SN

3" Center • Overall Length: 5 1/2"



Tier 1
Ringed Arch Pull
Verona Bronze
PULL 3672VB

3" Center • Overall Length: 5 1/2"



Tier 1
Ringed Arch Pull
Matte Black
PULL 3672MB

3" Center • Overall Length: 5 1/2"

NR12 Reading w/ DFO

NR12LG Reading w/ DFO, Savannah, Westerly w/ DFO



Tier 1
Ringed Knob
Satin Nickel
KNOB 3673SN



Tier 1
Ringed Knob
Verona Bronze
KNOB 3673VB



Tier 1
Ringed Knob
Matte Black
KNOB 3673MB

T-Bar



Tier 3
T-Bar Pull - 12 7/16"
Polished Chrome
PULL 4730PC

Tier 3
T-Bar Pull - 12 7/16"
Satin Nickel
PULL 4730SN

Tier 3
T-Bar Pull - 12 7/16"
Modern Brushed Gold
PULL 4730MG

Tier 3
T-Bar Pull - 12 7/16"
Brushed Copper
PULL 4730CP

Tier 3
T-Bar Pull - 12 7/16"
Matte Black
PULL 4730MB

256mm Center • Overall Length: 12 7/16" 256mm Center • Overall Length: 12 7/16" 256mm Center • Overall Length: 12 7/16" 256mm Center • Overall Length: 12 7/16" 256mm Center • Overall Length: 12 7/16"

| | |
|---------------|--|
| NR12 | Any door style |
| NR15 | Adelaide w/ DFO, Brookland w/ DFO, Garner w/ DFO, Leesburg w/ DFO, Portola w/ DFO, Portola, Reading w/ DFO, Savannah |
| NR18 | MacArthur, Westerly w/ DFO |
| NR12LG | Any door style |
| NR15LG | Adelaide w/ DFO, Brookland, Garner w/ DFO, Leesburg w/ DFO, MacArthur, Portola w/ DFO, Reading w/ DFO |
| NR18LG | Westerly w/ DFO |
| NR21LG | Savannah |



Tier 2
T-Bar Pull - 8 5/8"
Polished Chrome
PULL 4712PC

Tier 2
T-Bar Pull - 8 5/8"
Satin Nickel
PULL 4712SN

Tier 2
T-Bar Pull - 8 5/8"
Modern Brushed Gold
PULL 4712MG

Tier 2
T-Bar Pull - 8 5/8"
Brushed Copper
PULL 4712CP

Tier 2
T-Bar Pull - 8 5/8"
Matte Black
PULL 4712MB

160mm Center • Overall Length: 8 5/8" 160mm Center • Overall Length: 8 5/8" 160mm Center • Overall Length: 8 5/8" 160mm Center • Overall Length: 8 5/8" 160mm Center • Overall Length: 8 5/8"

| | |
|---------------|---|
| NR12 | Adelaide w/ DFO, Brookland w/ DFO, Garner w/ DFO, Leesburg w/ DFO, MacArthur, Portola w/ DFO, Reading w/ DFO, Savannah, Westerly w/ DFO |
| NR12LG | Garner w/ DFO, MacArthur |
| NR15LG | Portola w/ DFO, Reading w/ DFO, Savannah, Westerly w/ DFO |



Tier 1
T-Bar Pull - 5 1/16"
Polished Chrome
PULL 4701PC

Tier 1
T-Bar Pull - 5 1/16"
Satin Nickel
PULL 4701SN

Tier 1
T-Bar Pull - 5 1/16"
Modern Brushed Gold
PULL 4701MG

Tier 1
T-Bar Pull - 5 1/16"
Brushed Copper
PULL 4701CP

Tier 1
T-Bar Pull - 5 1/16"
Matte Black
PULL 4701MB

3" Center • Overall Length: 5 1/16" 3" Center • Overall Length: 5 1/16" 3" Center • Overall Length: 5 1/16" 3" Center • Overall Length: 5 1/16" 3" Center • Overall Length: 5 1/16"

| | |
|---------------|----------|
| NR12LG | Savannah |
|---------------|----------|



Tier 1
T-Bar Knob
Polished Chrome
KNOB 4703PC

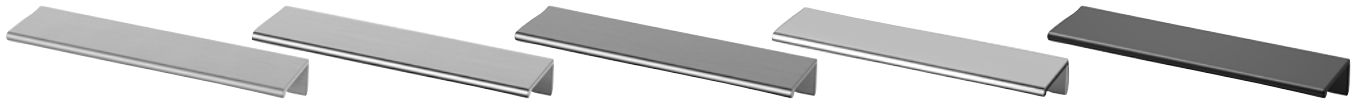
Tier 1
T-Bar Knob
Satin Nickel
KNOB 4703SN

Tier 1
T-Bar Knob
Modern Brushed Gold
KNOB 4703MG

Tier 1
T-Bar Knob
Brushed Copper
KNOB 4703CP

Tier 1
T-Bar Knob
Matte Black
KNOB 4703MB

Tab



Tier 3
Tab Pull - 6"
Polished Chrome
 PULL 1060PC
 Overall Length: 6"

Tier 3
Tab Pull - 6"
Satin Nickel
 PULL 1060SN
 Overall Length: 6"

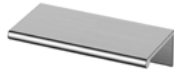
Tier 3
Tab Pull - 6"
Modern Brushed Gold
 PULL 1060MG
 Overall Length: 6"

Tier 3
Tab Pull - 6"
Brushed Copper
 PULL 1060CP
 Overall Length: 6"

Tier 3
Tab Pull - 6"
Matte Black
 PULL 1060MB
 Overall Length: 6"



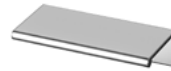
Tier 2
Tab Pull - 3"
Polished Chrome
 PULL 1055PC
 Overall Length: 3"



Tier 2
Tab Pull - 3"
Satin Nickel
 PULL 1055SN
 Overall Length: 3"



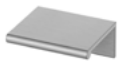
Tier 2
Tab Pull - 3"
Modern Brushed Gold
 PULL 1055MG
 Overall Length: 3"



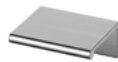
Tier 2
Tab Pull - 3"
Brushed Copper
 PULL 1055CP
 Overall Length: 3"



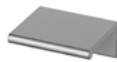
Tier 2
Tab Pull - 3"
Matte Black
 PULL 1055MB
 Overall Length: 3"



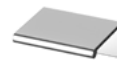
Tier 1
Tab Pull - 1 3/4"
Polished Chrome
 PULL 1050PC
 Overall Length: 1 3/4"



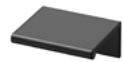
Tier 1
Tab Pull - 1 3/4"
Satin Nickel
 PULL 1050SN
 Overall Length: 1 3/4"



Tier 1
Tab Pull - 1 3/4"
Modern Brushed Gold
 PULL 1050MG
 Overall Length: 1 3/4"

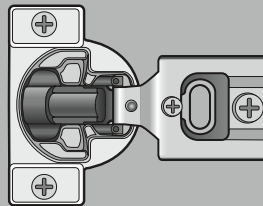
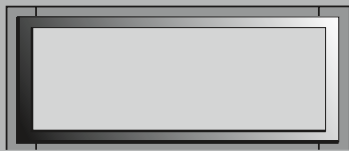
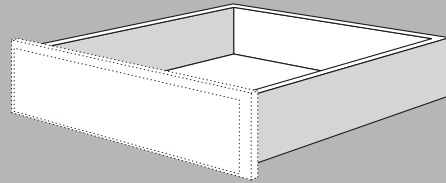
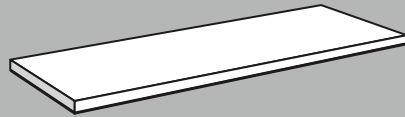
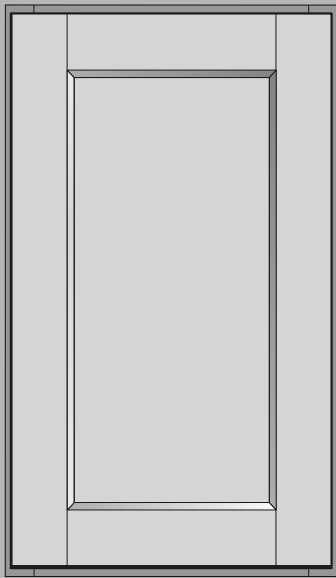


Tier 1
Tab Pull - 1 3/4"
Brushed Copper
 PULL 1050CP
 Overall Length: 1 3/4"



Tier 1
Tab Pull - 1 3/4"
Matte Black
 PULL 1050MB
 Overall Length: 1 3/4"

Parts Directory



Parts Directory

Wall Cabinets

| | |
|------------------|----|
| Standard | P3 |
| Wall End Angle | P5 |
| Wall Top Hinge | P5 |
| Blind | P5 |
| Corner | P6 |
| Refrigerator | P6 |
| With Spice Rack | P7 |
| Appliance Garage | P7 |
| Microwave | P7 |
| Wall Range Hood | P8 |
| Wall Easy Reach | P8 |

Base Cabinets

| | |
|--|-----|
| Furniture Drawer | P9 |
| Pedestal Drawers | P9 |
| Standard | P10 |
| With Deep Roll Out Tray(s) | P10 |
| Base Pot and Pan Organizer | P11 |
| With Door Accessory | P11 |
| With Roll Out Tray Divider | P11 |
| With Factory Installed Wastebaskets | P11 |
| Peninsula | P11 |
| With Factory Installed Cutlery Divider Kit | P12 |
| With Factory Installed Spice Drawer Insert Kit | P12 |
| With Factory Installed Wood Tiered Cutlery Divider Kit | P13 |
| Blind Corner | P13 |
| Blind Peninsula Corner | P13 |
| Full-Height Base | P17 |
| Full-Height Base with Accessory | P17 |
| Full-Height Base with Deep Roll Out Trays | P17 |
| Full-Height Blind Base | P17 |
| Full-Height Blind Base with Accessories | P17 |
| Full-Height Wastebasket | P18 |
| Base End Angle | P18 |
| Full-Height Peninsula | P18 |

Drawer Base Cabinets

| | |
|--|-----|
| Two Drawer Base | P14 |
| Three Drawer Base | P15 |
| Three Drawer With Factory Installed Drawer Organizer | P15 |
| Four Drawer | P16 |
| Four Drawer With Factory Installed Drawer Organizer | P16 |
| Base Microwave | P16 |
| Base Spice Drawer | P16 |
| Spice Drawer Cabinet | P16 |

Sink Base Cabinets

| | |
|--|-----|
| Corner Sink Base, Corner Sink Front | P19 |
| Deep Sink Base | P19 |
| Sink/Cooktop Base and Front | P19 |
| Sink with Factory Installed Tilt-Out Tray(s) | P19 |
| Sink with Factory Installed Tilt-Out Tray(s) | P19 |
| Base Plumbing Skirt | P19 |
| Adaptable Sink Base Kit | P19 |

Corner Base Cabinets

P20

Tall Cabinets

| | |
|----------------------------------|-----|
| Utility With Adjustable Shelves | P21 |
| Utility With Deep Roll Out Trays | P24 |
| Utility With Pantry Storage | P25 |
| Double Oven | P26 |
| Single Oven | P27 |

Vanity Cabinets

| | |
|---|-----|
| Vanity Sink Base 31 1/8" High | P31 |
| Vanity Sink Base 34 1/2" High | P31 |
| Vanity Plumbing Skirt | P31 |
| Vanity Sink Front | P31 |
| Vanity Drawer Base 31 1/8" High | P32 |
| Vanity Drawer Base 34 1/2" High | P32 |
| Kneehole Drawer | P32 |
| With Full-Height Door | P32 |
| Vanity Base 31 1/8" High | P33 |
| Vanity Combo Sink Base 18" Deep, 31 1/8" High | P33 |
| Vanity Sink Base With Top Drawers 31 1/8" High | P33 |
| Vanity Combo Sink Base 31 1/8" High | P34 |
| Vanity Base 34 1/2" High | P34 |
| With Factory Installed Wastebasket 34 1/2" High | P35 |
| Vanity Sink Base With Top Drawers 34 1/2" High | P35 |
| Vanity Combo Sink Base 18" Deep, 34 1/2" High | P35 |
| Vanity Combo Sink Base 34 1/2" High | P36 |
| Vanity Linen | P37 |
| Medicine Cabinet | P37 |
| Tri-View Mirror | P37 |
| Valet | P37 |

Desk & Office Cabinets

| | |
|---------------------------------------|-----|
| Kneehole Drawer | P32 |
| Desk File Pull Out | P38 |
| Desk Drawer | P38 |
| With Factory Installed Wastebasket(s) | P38 |
| Desk Door | P38 |

Decorator Matching Doors

P39

Dimensions

| | |
|----------------------------|-----|
| Doors | P40 |
| Drawer Body | P42 |
| Shelves | P43 |
| Roll Out Trays/Accessories | P43 |
| Glass Inserts | P44 |
| Drawer Front | P46 |

Accessories

| | |
|---------------------|-----|
| Miscellaneous Parts | P47 |
|---------------------|-----|

Replacement Parts Reference Sheet

P50

DOOR NOMENCLATURE LEGEND

| | | |
|-------|--|--|
| | Doors must be ordered as hinged left (invert for right hinging) or as no drill | |
| DR_ | Example: | SKU: DR1230 Option: Left Hinge |
| DR_SD | Example: | Specialty Doors are used for Mullion Frame or Open Frame Door options SKU: DR1230 SD Option: OFD - Open Frame Door Option: Left Hinge |
| DR_FH | Example: | Full-Height Door for Full-Height Base, Full-Height Peninsula Base and Full-Height Vanity Base SKU: DR15 FH Option: Left Hinge |
| DR_V | Example: | Standard height Vanity door SKU: DR1821V Option: Right Hinge |

DRAWER/PANEL FRONT NOMENCLATURE LEGEND

| | |
|----------|--|
| DDF__ | Drawer/Panel Front for Base, Desk or Vanity cabinet |
| DDF__M | Large Drawer Front for Full Overlay cabinet |
| DDF__D | Large Drawer Front for Partial Overlay cabinet |
| DDF__VD | Large Drawer Front for Full Overlay standard height Vanity cabinet |
| DDFOV__ | Drawer Front for Full Overlay OVD__ (AS) BUTT |
| DDFKDC__ | Drawer Front for Kneehole Drawer cabinet |
| DDF__2DB | Drawer Front for 2 Drawer Base Cabinet |

ADJUSTABLE SHELVING NOMENCLATURE LEGEND

| | |
|---|--|
| Bookshelves and Microwave Wall Cabinet replacement shelves feature Matching Interior standard - MI and MI PLY Shelving NOT available Specialty Door cabinets feature Matching Interior standard, replacement shelves must be ordered as __" SHELF MI or __" SHELF MI PLY | |
| __" SHELF 3/4 | Adjustable Shelf - Standard Wall Construction 3/4" Example: 12" SHELF 3/4 |
| __" SHELF 24 DP 3/4 | Adjustable Shelf - Standard Base Construction 3/4" Example: 12" SHELF 24DP 3/4 |
| __" SHELF MI | For Matching Interior 3/4" Adjustable Shelving, replace 3/4 with MI Example: 12" SHELF MI |
| __" SHELF PLY | For All Plywood Construction 3/4" Adjustable Shelving, replace 3/4 with PLY Example: 12" SHELF PLY |
| __" SHELF MI PLY | For All Plywood Construction 3/4" Matching Interior Adjustable Shelving, replace 3/4 with MI PLY Example: 12" SHELF MI PLY |

*refer to Reduced Depth chart on page 41 for cabinets with RD

PARTS DIRECTORY: Wall Cabinets

| SKU | Qty | DOOR | SPECIALTY DOOR | DECORATIVE GLASS | Qty | ADJUSTABLE SHELF |
|---------------------------------|-----|-------------|---|------------------|-----|--|
| | | | *Specialty doors require a specialty door selection | | | *For All Plywood Construction or Matching Interior Adjustable Shelf, refer to Parts Directory legend |
| | | Part Name | *Part Name | Part Name | | *Part Name |
| STANDARD WALL - 42" HIGH | | | | | | |
| W942 | 1 | DR942 | - | - | 3 | 9" SHELF 3/4 |
| W1242 | 1 | DR1242 | DR1242 SD | DGI-1242 | 3 | 12" SHELF 3/4 |
| W1542 | 1 | DR1542 | DR1542 SD | DGI-1542 | 3 | 15" SHELF 3/4 |
| W1842 | 1 | DR1842 | DR1842 SD | DGI-1842 | 3 | 18" SHELF 3/4 |
| W2142 | 1 | DR2142 | DR2142 SD | DGI-2142 | 3 | 21" SHELF 3/4 |
| W2442 BUTT | 2 | DR1242 BUTT | DR1242 BUTT SD | DGI-1242 BUTT | 3 | 24" SHELF 3/4 |
| W2742 BUTT | 2 | DR1342 BUTT | DR1342 BUTT SD | DGI-1342 BUTT | 3 | 27" SHELF 3/4 |
| W3042 BUTT | 2 | DR1542 BUTT | DR1542 BUTT SD | DGI-1542 BUTT | 3 | 30" SHELF 3/4 |
| W3342 BUTT | 2 | DR1642 BUTT | DR1642 BUTT SD | DGI-1642 BUTT | 3 | 33" SHELF 3/4 |
| W3642 BUTT | 2 | DR1842 BUTT | DR1842 BUTT SD | DGI-1842 BUTT | 3 | 36" SHELF 3/4 |
| W3942 | 2 | DR1942 | DR1942 SD | DGI-1942 | 3 | 39" SHELF 3/4 |
| W4242 | 2 | DR2142 | DR2142 SD | DGI-2142 | 3 | 42" SHELF 3/4 |
| STANDARD WALL - 39" HIGH | | | | | | |
| W939 | 1 | DR939 | - | - | 3 | 9" SHELF 3/4 |
| W1239 | 1 | DR1239 | DR1239 SD | DGI-1239 | 3 | 12" SHELF 3/4 |
| W1539 | 1 | DR1539 | DR1539 SD | DGI-1539 | 3 | 15" SHELF 3/4 |
| W1839 | 1 | DR1839 | DR1839 SD | DGI-1839 | 3 | 18" SHELF 3/4 |
| W2139 | 1 | DR2139 | DR2139 SD | DGI-2139 | 3 | 21" SHELF 3/4 |
| W2439 BUTT | 2 | DR1239 BUTT | DR1239 BUTT SD | DGI-1239 BUTT | 3 | 24" SHELF 3/4 |
| W2739 BUTT | 2 | DR1339 BUTT | DR1339 BUTT SD | DGI-1339 BUTT | 3 | 27" SHELF 3/4 |
| W3039 BUTT | 2 | DR1539 BUTT | DR1539 BUTT SD | DGI-1539 BUTT | 3 | 30" SHELF 3/4 |
| W3339 BUTT | 2 | DR1639 BUTT | DR1639 BUTT SD | DGI-1639 BUTT | 3 | 33" SHELF 3/4 |
| W3639 BUTT | 2 | DR1839 BUTT | DR1839 BUTT SD | DGI-1839 BUTT | 3 | 36" SHELF 3/4 |
| STANDARD WALL - 36" HIGH | | | | | | |
| W936 | 1 | DR936 | - | - | 2 | 9" SHELF 3/4 |
| W1236 | 1 | DR1236 | DR1236 SD | DGI-1236 | 2 | 12" SHELF 3/4 |
| W1536 | 1 | DR1536 | DR1536 SD | DGI-1536 | 2 | 15" SHELF 3/4 |
| W1836 | 1 | DR1836 | DR1836 SD | DGI-1836 | 2 | 18" SHELF 3/4 |
| W2136 | 1 | DR2136 | DR2136 SD | DGI-2136 | 2 | 21" SHELF 3/4 |
| W2436 BUTT | 2 | DR1236 BUTT | DR1236 BUTT SD | DGI-1236 BUTT | 2 | 24" SHELF 3/4 |
| W2736 BUTT | 2 | DR1336 BUTT | DR1336 BUTT SD | DGI-1336 BUTT | 2 | 27" SHELF 3/4 |
| W3036 BUTT | 2 | DR1536 BUTT | DR1536 BUTT SD | DGI-1536 BUTT | 2 | 30" SHELF 3/4 |
| W3336 BUTT | 2 | DR1636 BUTT | DR1636 BUTT SD | DGI-1636 BUTT | 2 | 33" SHELF 3/4 |
| W3636 BUTT | 2 | DR1836 BUTT | DR1836 BUTT SD | DGI-1836 BUTT | 2 | 36" SHELF 3/4 |
| W3936 | 2 | DR1936 | DR1936 SD | DGI-1936 | 2 | 39" SHELF 3/4 |
| W4236 | 2 | DR2136 | DR2136 SD | DGI-2136 | 2 | 42" SHELF 3/4 |
| STANDARD WALL - 30" HIGH | | | | | | |
| W930 | 1 | DR930 | - | - | 2 | 9" SHELF 3/4 |
| W1230 | 1 | DR1230 | DR1230 SD | DGI-1230 | 2 | 12" SHELF 3/4 |
| W1530 | 1 | DR1530 | DR1530 SD | DGI-1530 | 2 | 15" SHELF 3/4 |
| W1830 | 1 | DR1830 | DR1830 SD | DGI-1830 | 2 | 18" SHELF 3/4 |
| W2130 | 1 | DR2130 | DR2130 SD | DGI-2130 | 2 | 21" SHELF 3/4 |
| W2430 | 1 | DR2430 | - | - | 2 | 24" SHELF 3/4 |
| W2430 BUTT | 2 | DR1230 BUTT | DR1230 BUTT SD | DGI-1230 BUTT | 2 | 24" SHELF 3/4 |
| W2730 BUTT | 2 | DR1330 BUTT | DR1330 BUTT SD | DGI-1330 BUTT | 2 | 27" SHELF 3/4 |
| W3030 BUTT | 2 | DR1530 BUTT | DR1530 BUTT SD | DGI-1530 BUTT | 2 | 30" SHELF 3/4 |
| W3330 BUTT | 2 | DR1630 BUTT | DR1630 BUTT SD | DGI-1630 BUTT | 2 | 33" SHELF 3/4 |
| W3630 BUTT | 2 | DR1830 BUTT | DR1830 BUTT SD | DGI-1830 BUTT | 2 | 36" SHELF 3/4 |
| W3930 | 2 | DR1930 | DR1930 SD | DGI-1930 | 2 | 39" SHELF 3/4 |
| W4230 | 2 | DR2130 | DR2130 SD | DGI-2130 | 2 | 42" SHELF 3/4 |
| W4530 | 3 | DR1530 | DR1530 SD | DGI-1530 | 2 | 45" SHELF 3/4 |
| W4830 | 2 | DR2430 | - | - | 2 | 48" SHELF 3/4 |

| SKU | Qty | DOOR | SPECIALTY DOOR | DECORATIVE GLASS | Qty | ADJUSTABLE SHELF |
|---------------------------------|-----|-------------|---|------------------|-----|--|
| | | | *Specialty doors require a specialty door selection | | | *For All Plywood Construction or Matching Interior Adjustable Shelf, refer to Parts Directory legend |
| | | Part Name | *Part Name | Part Name | | *Part Name |
| STANDARD WALL • 27" HIGH | | | | | | |
| W3027 BUTT | 2 | DR1527 BUTT | DR1527 BUTT SD | DGI-1527 BUTT | 1 | 30" SHELF 3/4 |
| STANDARD WALL • 24" HIGH | | | | | | |
| W1224 | 1 | DR1224 | DR1224 SD | DGI-1224 | 1 | 12" SHELF 3/4 |
| W1524 | 1 | DR1524 | DR1524 SD | DGI-1524 | 1 | 15" SHELF 3/4 |
| W1824 | 1 | DR1824 | DR1824 SD | DGI-1824 | 1 | 18" SHELF 3/4 |
| W2124 | 1 | DR2124 | DR2124 SD | DGI-2124 | 1 | 21" SHELF 3/4 |
| W2424 BUTT | 2 | DR1224 BUTT | DR1224 BUTT SD | DGI-1224 BUTT | 1 | 24" SHELF 3/4 |
| W2724 BUTT | 2 | DR1324 BUTT | DR1324 BUTT SD | DGI-1324 BUTT | 1 | 27" SHELF 3/4 |
| W3024 BUTT | 2 | DR1524 BUTT | DR1524 BUTT SD | DGI-1524 BUTT | 1 | 30" SHELF 3/4 |
| W3324 BUTT | 2 | DR1624 BUTT | DR1624 BUTT SD | DGI-1624 BUTT | 1 | 33" SHELF 3/4 |
| W3624 BUTT | 2 | DR1824 BUTT | DR1824 BUTT SD | DGI-1824 BUTT | 1 | 36" SHELF 3/4 |
| W3924 | 2 | DR1924 | DR1924 SD | DGI-1924 | 1 | 39" SHELF 3/4 |
| W4224 | 2 | DR2124 | DR2124 SD | DGI-2124 | 1 | 42" SHELF 3/4 |
| W4524 | 3 | DR1524 | DR1524 SD | DGI-1524 | 1 | 45" SHELF 3/4 |
| STANDARD WALL • 21" HIGH | | | | | | |
| W3021 BUTT | 2 | DR1521 BUTT | DR1521 BUTT SD | DGI-1521 BUTT | - | - |
| W3321 BUTT | 2 | DR1621 BUTT | DR1621 BUTT SD | DGI-1621 BUTT | - | - |
| W3621 BUTT | 2 | DR1821 BUTT | DR1821 BUTT SD | DGI-1821 BUTT | - | - |
| W3921 | 2 | DR1921 | DR1921 SD | DGI-1921 | - | - |
| STANDARD WALL • 18" HIGH | | | | | | |
| W1218 | 1 | DR1218 | DR1218 SD | DGI-1218 | - | - |
| W1518 | 1 | DR1518 | DR1518 SD | DGI-1518 | - | - |
| W1818 | 1 | DR1818 | DR1818 SD | DGI-1818 | - | - |
| W2118 | 1 | DR2118 | DR2118 SD | DGI-2118 | - | - |
| W2418 BUTT | 2 | DR1218 BUTT | DR1218 BUTT SD | DGI-1218 BUTT | - | - |
| W2718 BUTT | 2 | DR1318 BUTT | DR1318 BUTT SD | DGI-1318 BUTT | - | - |
| W3018 BUTT | 2 | DR1518 BUTT | DR1518 BUTT SD | DGI-1518 BUTT | - | - |
| W3318 BUTT | 2 | DR1618 BUTT | DR1618 BUTT SD | DGI-1618 BUTT | - | - |
| W3618 BUTT | 2 | DR1818 BUTT | DR1818 BUTT SD | DGI-1818 BUTT | - | - |
| W3918 | 2 | DR1918 | DR1918 SD | DGI-1918 | - | - |
| W4218 | 2 | DR2118 | DR2118 SD | DGI-2118 | - | - |
| STANDARD WALL • 15" HIGH | | | | | | |
| W1215 | 1 | DR1215 | DR1215 SD | DGI-1215 | - | - |
| W1515 | 1 | DR1515 | DR1515 SD | DGI-1515 | - | - |
| W1815 | 1 | DR1815 | DR1815 SD | DGI-1815 | - | - |
| W2115 | 1 | DR2115 | DR2115 SD | DGI-2115 | - | - |
| W2415 BUTT | 2 | DR1215 BUTT | DR1215 BUTT SD | DGI-1215 BUTT | - | - |
| W2715 BUTT | 2 | DR1315 BUTT | DR1315 BUTT SD | DGI-1315 BUTT | - | - |
| W3015 BUTT | 2 | DR1515 BUTT | DR1515 BUTT SD | DGI-1515 BUTT | - | - |
| W3315 BUTT | 2 | DR1615 BUTT | DR1615 BUTT SD | DGI-1615 BUTT | - | - |
| W3615 BUTT | 2 | DR1815 BUTT | DR1815 BUTT SD | DGI-1815 BUTT | - | - |
| W3915 | 2 | DR1915 | DR1915 SD | DGI-1915 | - | - |
| STANDARD WALL • 12" HIGH | | | | | | |
| W1212 | 1 | DR1212 | DR1212 SD | DGI-1212 | - | - |
| W1512 | 1 | DR1512 | DR1512 SD | DGI-1512 | - | - |
| W1812 | 1 | DR1812 | DR1812 SD | DGI-1812 | - | - |
| W2112 | 1 | DR2112 | DR2112 SD | DGI-2112 | - | - |
| W2412 BUTT | 2 | DR1212 BUTT | DR1212 BUTT SD | DGI-1212 BUTT | - | - |
| W2712 BUTT | 2 | DR1312 BUTT | DR1312 BUTT SD | DGI-1312 BUTT | - | - |
| W3012 BUTT | 2 | DR1512 BUTT | DR1512 BUTT SD | DGI-1512 BUTT | - | - |
| W3312 BUTT | 2 | DR1612 BUTT | DR1612 BUTT SD | DGI-1612 BUTT | - | - |
| W3612 BUTT | 2 | DR1812 BUTT | DR1812 BUTT SD | DGI-1812 BUTT | - | - |
| W3912 | 2 | DR1912 | DR1912 SD | DGI-1912 | - | - |

PARTS DIRECTORY: Wall Cabinets

PARTS: WALL CABINETS

| SKU | Qty | DOOR | SPECIALTY DOOR | DECORATIVE GLASS | Qty | ADJUSTABLE SHELF |
|---|-----|-------------|---|------------------|-----|--|
| | | | *Specialty doors require a specialty door selection | | | *For All Plywood Construction or Matching Interior Adjustable Shelf, refer to Parts Directory legend |
| | | Part Name | *Part Name | Part Name | | *Part Name |
| WALL END ANGLE | | | | | | |
| WEA1230 | 1 | DR1530 | DR1530 SD | DGI-1530 | 2 | WEA SHELF 3/4 |
| WEA1236 | 1 | DR1536 | DR1536 SD | DGI-1536 | 2 | WEA SHELF 3/4 |
| WEA1239 | 1 | DR1539 | DR1539 SD | DGI-1539 | 3 | WEA SHELF 3/4 |
| WEA1242 | 1 | DR1542 | DR1542 SD | DGI-1542 | 3 | WEA SHELF 3/4 |
| WALL TOP HINGE - 15" HIGH | | | | | | |
| WTH3015 | 1 | DR3015 WTH | DR3015 WTH SD | DGI-1530 | - | - |
| WTH3615 | 1 | DR3615 WTH | DR3615 WTH SD | DGI-1536 | - | - |
| WALL TOP HINGE - 18" HIGH | | | | | | |
| WTH3018 | 1 | DR3018 WTH | DR3018 WTH SD | DGI-1830 | - | - |
| WTH3618 | 1 | DR3618 WTH | DR3618 WTH SD | DGI-1836 | - | - |
| WALL TOP HINGE - 15" HIGH X 24" DEEP | | | | | | |
| WTH3015 X 24DP | 1 | DR3015 WTH | DR3015 WTH SD | DGI-1530 | - | - |
| WTH3615 X 24DP | 1 | DR3615 WTH | DR3615 WTH SD | DGI-1536 | - | - |
| WALL TOP HINGE - 18" HIGH X 24" DEEP | | | | | | |
| WTH3018 X 24DP | 1 | DR3018 WTH | DR3018 WTH SD | DGI-1830 | - | - |
| WTH3618 X 24DP | 1 | DR3618 WTH | DR3618 WTH SD | DGI-1836 | - | - |
| BLIND WALL - 42" HIGH | | | | | | |
| BLW24/2742 | 1 | DR1242 | DR1242 SD | DGI-1242 | 3 | 24" SHELF 3/4 |
| BLW30/3342 | 1 | DR1842 | DR1842 SD | DGI-1842 | 3 | 30" SHELF 3/4 |
| BLW33/3642 | 1 | DR2142 | DR2142 SD | DGI-2142 | 3 | 33" SHELF 3/4 |
| BLW36/3942 BUTT | 2 | DR1242 BUTT | DR1242 BUTT SD | DGI-1242 BUTT | 3 | 36" SHELF 3/4 |
| BLW39/4242 BUTT | 2 | DR1342 BUTT | DR1342 BUTT SD | DGI-1342 BUTT | 3 | 39" SHELF 3/4 |
| BLW42/4542 BUTT | 2 | DR1542 BUTT | DR1542 BUTT SD | DGI-1542 BUTT | 3 | 42" SHELF 3/4 |
| BLIND WALL - 39" HIGH | | | | | | |
| BLW24/2739 | 1 | DR1239 | DR1239 SD | DGI-1239 | 3 | 24" SHELF 3/4 |
| BLW30/3339 | 1 | DR1839 | DR1839 SD | DGI-1839 | 3 | 30" SHELF 3/4 |
| BLW33/3639 | 1 | DR2139 | DR2139 SD | DGI-2139 | 3 | 33" SHELF 3/4 |
| BLW36/3939 BUTT | 2 | DR1239 BUTT | DR1239 BUTT SD | DGI-1239 BUTT | 3 | 36" SHELF 3/4 |
| BLW39/4239 BUTT | 2 | DR1339 BUTT | DR1339 BUTT SD | DGI-1339 BUTT | 3 | 39" SHELF 3/4 |
| BLW42/4539 BUTT | 2 | DR1539 BUTT | DR1539 BUTT SD | DGI-1539 BUTT | 3 | 42" SHELF 3/4 |
| BLIND WALL - 36" HIGH | | | | | | |
| BLW24/2736 | 1 | DR1236 | DR1236 SD | DGI-1236 | 2 | 24" SHELF 3/4 |
| BLW30/3336 | 1 | DR1836 | DR1836 SD | DGI-1836 | 2 | 30" SHELF 3/4 |
| BLW33/3636 | 1 | DR2136 | DR2136 SD | DGI-2136 | 2 | 33" SHELF 3/4 |
| BLW36/3936 BUTT | 2 | DR1236 BUTT | DR1236 BUTT SD | DGI-1236 BUTT | 2 | 36" SHELF 3/4 |
| BLW39/4236 BUTT | 2 | DR1336 BUTT | DR1336 BUTT SD | DGI-1336 BUTT | 2 | 39" SHELF 3/4 |
| BLW42/4536 BUTT | 2 | DR1536 BUTT | DR1536 BUTT SD | DGI-1536 BUTT | 2 | 42" SHELF 3/4 |
| BLIND WALL - 30" HIGH | | | | | | |
| BLW24/2730 | 1 | DR1230 | DR1230 SD | DGI-1230 | 2 | 24" SHELF 3/4 |
| BLW27/3030 | 1 | DR1530 | DR1530 SD | DGI-1530 | 2 | 27" SHELF 3/4 |
| BLW30/3330 | 1 | DR1830 | DR1830 SD | DGI-1830 | 2 | 30" SHELF 3/4 |
| BLW33/3630 | 1 | DR2130 | DR2130 SD | DGI-2130 | 2 | 33" SHELF 3/4 |
| BLW36/3930 | 1 | DR2430 | - | - | 2 | 36" SHELF 3/4 |
| BLW36/3930 BUTT | 2 | DR1230 BUTT | DR1230 BUTT SD | DGI-1230 BUTT | 2 | 36" SHELF 3/4 |
| BLW39/4230 BUTT | 2 | DR1330 BUTT | DR1330 BUTT SD | DGI-1330 BUTT | 2 | 39" SHELF 3/4 |
| BLW42/4530 BUTT | 2 | DR1530 BUTT | DR1530 BUTT SD | DGI-1530 BUTT | 2 | 42" SHELF 3/4 |
| BLW45/4830 BUTT | 2 | DR1630 BUTT | DR1630 BUTT SD | DGI-1630 BUTT | 2 | 45" SHELF 3/4 |
| BLW48/5130 BUTT | 2 | DR1830 BUTT | DR1830 BUTT SD | DGI-1830 BUTT | 2 | 48" SHELF 3/4 |

| SKU | Qty | DOOR | SPECIALTY DOOR | DECORATIVE GLASS | Qty | ADJUSTABLE SHELF |
|---|-----|---------------|---|------------------|-----|--|
| | | | *Specialty doors require a specialty door selection | | | *For All Plywood Construction or Matching Interior Adjustable Shelf, refer to Parts Directory legend |
| | | Part Name | *Part Name | Part Name | | *Part Name |
| BLIND WALL - 24" HIGH | | | | | | |
| BLW24/2724 | 1 | DRI224 | DRI224 SD | DGI-1224 | 1 | 24" SHELF 3/4 |
| BLW27/3024 | 1 | DRI524 | DRI524 SD | DGI-1524 | 1 | 27" SHELF 3/4 |
| BLW30/3324 | 1 | DRI824 | DRI824 SD | DGI-1824 | 1 | 30" SHELF 3/4 |
| BLW33/3624 | 1 | DR2124 | DR2124 SD | DGI-2124 | 1 | 33" SHELF 3/4 |
| BLW36/3924 BUTT | 2 | DRI224 BUTT | DRI224 BUTT SD | DGI-1224 BUTT | 1 | 36" SHELF 3/4 |
| CORNER WALL CABINET WITH APPLIANCE GARAGE - 48" HIGH | | | | | | |
| CWD2448 | 1 | DRI530 | DRI530 SD | DGI-1530 | 2 | CW SHELF ADJ 3/4 |
| | 1 | DRI518 | | | | |
| CWDS2448 | 1 | DRI530 | DRI530 SD | DGI-1530 | 2 | CWS UNIT RAS |
| | 1 | DRI518 | | | | |
| CWDS2448 WD | 1 | DRI530 | DRI530 SD | DGI-1530 | 2 | CWS24 SHELF WD NP |
| | 1 | DRI518 | | | | |
| CORNER WALL - 42" HIGH | | | | | | |
| CW2442 | 1 | DRI542 | DRI542 SD | DGI-1542 | 3 | CW SHELF ADJ 3/4 |
| CW2742 | 1 | DRI542 | DRI542 SD | DGI-1542 | 3 | CW27 SHELF ADJ 3/4 |
| CWS2442 WD | 1 | DRI542 | DRI542 SD | DGI-1542 | 3 | CWS24 SHELF WD NP |
| CORNER WALL - 39" HIGH | | | | | | |
| CW2439 | 1 | DRI539 | DRI539 SD | DGI-1539 | 3 | CW SHELF ADJ 3/4 |
| CW2739 | 1 | DRI539 | DRI539 SD | DGI-1539 | 3 | CW27 SHELF ADJ 3/4 |
| CWS2439 WD | 1 | DRI539 | DRI539 SD | DGI-1539 | 3 | CWS24 SHELF WD NP |
| CORNER WALL - 36" HIGH | | | | | | |
| CW2436 | 1 | DRI536 | DRI536 SD | DGI-1536 | 2 | CW SHELF ADJ 3/4 |
| CW2736 | 1 | DRI536 | DRI536 SD | DGI-1536 | 2 | CW27 SHELF ADJ 3/4 |
| CWS2436 WD | 1 | DRI536 | DRI536 SD | DGI-1536 | 2 | CWS24 SHELF WD NP |
| CORNER WALL - 30" HIGH | | | | | | |
| CW2430 | 1 | DRI530 | DRI530 SD | DGI-1530 | 2 | CW SHELF ADJ 3/4 |
| CW2730 | 1 | DRI530 | DRI530 SD | DGI-1530 | 2 | CW27 SHELF ADJ 3/4 |
| CWS2430 | 1 | DRI530 | DRI530 SD | DGI-1530 | 1 | CWS UNIT RAS |
| CWS2430 WD | 1 | DRI530 | DRI530 SD | DGI-1530 | 2 | CWS24 SHELF WD NP |
| CORNER WALL - 24" HIGH | | | | | | |
| CW2424 | 1 | DRI524 | DRI524 SD | DGI-1524 | - | - |
| CW2724 | 1 | DRI524 | DRI524 SD | DGI-1524 | - | - |
| CORNER WALL - 18" HIGH | | | | | | |
| CW2418 | 1 | DRI518 | DRI518 SD | DGI-1518 | - | - |
| CW2718 | 1 | DRI518 | DRI518 SD | DGI-1518 | | |
| CORNER WALL - 15" HIGH | | | | | | |
| CW2415 | 1 | DRI515 | DRI515 SD | DGI-1515 | - | - |
| CW2715 | 1 | DRI515 | DRI515 SD | DGI-1515 | - | - |
| CORNER WALL - 12" HIGH | | | | | | |
| CW2412 | 1 | DRI512 | DRI512 SD | DGI-1512 | - | - |
| CW2712 | 1 | DRI512 | DRI512 SD | DGI-1512 | - | - |
| REFRIGERATOR WALL - 27" HIGH X 24" DEEP | | | | | | |
| W3027 X 24 DP BUTT | 2 | DRI527 BUTT | DRI527 BUTT SD | DGI-1527 BUTT | 1 | 30" SHELF 24DP 3/4 |
| REFRIGERATOR WALL - 24" HIGH X 24" DEEP | | | | | | |
| W3024 X 24 DP BUTT | 2 | DRI524 BUTT | DRI524 BUTT SD | DGI-1524 BUTT | 1 | 30" SHELF 24DP 3/4 |
| W3324 X 24 DP BUTT | 2 | DRI624 BUTT | DRI624 BUTT SD | DGI-1624 BUTT | 1 | 33" SHELF 24DP 3/4 |
| W3624 X 24 DP BUTT | 2 | DRI824 BUTT | DRI824 BUTT SD | DGI-1824 BUTT | 1 | 36" SHELF 24DP 3/4 |
| W3724 X 24 DP BUTT | 2 | DRI8.524 BUTT | DRI8.524 BUTT SD | DGI-18.524 BUTT | 1 | 37" SHELF 24DP 3/4 |
| W3924 X 24 DP | 2 | DRI924 | DRI924 SD | DGI-1924 | 1 | 39" SHELF 24DP 3/4 |

PARTS DIRECTORY: Wall Cabinets

| SKU | Qty | DOOR | SPECIALTY DOOR | DECORATIVE GLASS | Qty | ADJUSTABLE SHELF |
|--|-----|---------------|---|------------------|-----|--|
| | | | *Specialty doors require a specialty door selection | | | *For All Plywood Construction or Matching Interior Adjustable Shelf, refer to Parts Directory legend |
| | | Part Name | *Part Name | Part Name | | *Part Name |
| REFRIGERATOR WALL - 21" HIGH X 24" DEEP | | | | | | |
| W3021 X 24 DP BUTT | 2 | DR1521 BUTT | DR1521 BUTT SD | DGI-1521 BUTT | - | - |
| W3321 X 24 DP BUTT | 2 | DR1621 BUTT | DR1621 BUTT SD | DGI-1621 BUTT | - | - |
| W3621 X 24 DP BUTT | 2 | DR1821 BUTT | DR1821 BUTT SD | DGI-1821 BUTT | - | - |
| W3721 X 24 DP BUTT | 2 | DR18.521 BUTT | DR18.521 BUTT SD | DGI-18.521 BUTT | - | - |
| W3921 X 24 DP | 2 | DR1921 | DR1921 SD | DGI-1921 | - | - |
| REFRIGERATOR WALL - 18" HIGH X 24" DEEP | | | | | | |
| W3018 X 24 DP BUTT | 2 | DR1518 BUTT | DR1518 BUTT SD | DGI-1518 BUTT | - | - |
| W3318 X 24 DP BUTT | 2 | DR1618 BUTT | DR1618 BUTT SD | DGI-1618 BUTT | - | - |
| W3618 X 24 DP BUTT | 2 | DR1818 BUTT | DR1818 BUTT SD | DGI-1818 BUTT | - | - |
| W3718 X 24 DP BUTT | 2 | DR18.518 BUTT | DR18.518 BUTT SD | DGI-18.518 BUTT | - | - |
| W3918 X 24 DP | 2 | DR1918 | DR1918 SD | DGI-1918 | - | - |
| REFRIGERATOR WALL - 15" HIGH X 24" DEEP | | | | | | |
| W3015 X 24 DP BUTT | 2 | DR1515 BUTT | DR1515 BUTT SD | DGI-1515 BUTT | - | - |
| W3315 X 24 DP BUTT | 2 | DR1615 BUTT | DR1615 BUTT SD | DGI-1615 BUTT | - | - |
| W3615 X 24 DP BUTT | 2 | DR1815 BUTT | DR1815 BUTT SD | DGI-1815 BUTT | - | - |
| W3715 X 24 DP BUTT | 2 | DR18.515 BUTT | DR18.515 BUTT SD | DGI-18.515 BUTT | - | - |
| W3915 X 24 DP | 2 | DR1915 | DR1915 SD | DGI-1915 | - | - |
| REFRIGERATOR WALL - 12" HIGH X 24" DEEP | | | | | | |
| W3012 X 24 DP BUTT | 2 | DR1512 BUTT | DR1512 BUTT SD | DGI-1512 BUTT | - | - |
| W3312 X 24 DP BUTT | 2 | DR1612 BUTT | DR1612 BUTT SD | DGI-1612 BUTT | - | - |
| W3612 X 24 DP BUTT | 2 | DR1812 BUTT | DR1812 BUTT SD | DGI-1812 BUTT | - | - |
| W3712 X 24 DP BUTT | 2 | DR18.512 BUTT | DR18.512 BUTT SD | DGI-18.512 BUTT | - | - |
| W3912 X 24 DP | 2 | DR1912 | DR1912 SD | DGI-1912 | - | - |
| W4212 X 24 DP | 2 | DR2112 | - | - | - | - |
| W4812 X 24 DP BUTT | 4 | DR1212 BUTT | - | - | - | - |
| WALL WITH SPICE RACK - 42" HIGH | | | | | | |
| W1542 SR | 1 | DR1542 | - | - | 3 | 15" SHELF 3/4 |
| W1842 SR | 1 | DR1842 | - | - | 3 | 18" SHELF 3/4 |
| W2142 SR | 1 | DR2142 | - | - | 3 | 21" SHELF 3/4 |
| WALL WITH SPICE RACK - 39" HIGH | | | | | | |
| W1539 SR | 1 | DR1539 | - | - | 3 | 15" SHELF 3/4 |
| W1839 SR | 1 | DR1839 | - | - | 3 | 18" SHELF 3/4 |
| W2139 SR | 1 | DR2139 | - | - | 3 | 21" SHELF 3/4 |
| WALL WITH SPICE RACK - 36" HIGH | | | | | | |
| W1536 SR | 1 | DR1536 | - | - | 2 | 15" SHELF 3/4 |
| W1836 SR | 1 | DR1836 | - | - | 2 | 18" SHELF 3/4 |
| W2136 SR | 1 | DR2136 | - | - | 2 | 21" SHELF 3/4 |
| WALL WITH SPICE RACK - 30" HIGH | | | | | | |
| W1530 SR | 1 | DR1530 | - | - | 2 | 15" SHELF 3/4 |
| W1830 SR | 1 | DR1830 | - | - | 2 | 18" SHELF 3/4 |
| W2130 SR | 1 | DR2130 | - | - | 2 | 21" SHELF 3/4 |
| STRAIGHT APPLIANCE GARAGE | | | | | | |
| AGSD24 BUTT | 2 | DR1218 BUTT | DR1218 BUTT SD | DGI-1218 BUTT | - | - |
| CORNER APPLIANCE GARAGE | | | | | | |
| AGD2418 | 1 | DR1518 | DR1518 SD | DGI-1518 | - | - |
| AGD2718 | 1 | DR1518 | DR1518 SD | DGI-1518 | - | - |
| MICROWAVE WALL - 42" HIGH | | | | | | |
| WMC301842 BUTT | 2 | DR1521 BUTT | - | - | - | - |
| WMC302142 BUTT | 2 | DR1521 BUTT | - | - | - | - |
| MICROWAVE WALL WITH SHELF - 42" HIGH | | | | | | |
| WMSC271842 BUTT | 2 | DR1324 BUTT | - | - | 1 | WMSC2718 TOP SHELF |

| SKU | Qty | DOOR | SPECIALTY DOOR | DECORATIVE GLASS | Qty | ADJUSTABLE SHELF |
|--|-----|------------------|---|------------------|-----|--|
| | | | *Specialty doors require a specialty door selection | | | *For All Plywood Construction or Matching Interior Adjustable Shelf, refer to Parts Directory legend |
| | | Part Name | *Part Name | Part Name | | *Part Name |
| MICROWAVE WALL - 39" HIGH | | | | | | |
| WMC271839 BUTT | 2 | DR1318 BUTT | - | - | - | - |
| WMC272139 BUTT | 2 | DR1318 BUTT | - | - | - | - |
| WMC301839 BUTT | 2 | DR1518 BUTT | - | - | - | - |
| WMC302139 BUTT | 2 | DR1518 BUTT | - | - | - | - |
| MICROWAVE WALL - 36" HIGH | | | | | | |
| WMC271836 BUTT | 2 | DR1315 BUTT | - | - | - | - |
| WMC272136 BUTT | 2 | DR1315 BUTT | - | - | - | - |
| WMC301836 BUTT | 2 | DR1515 BUTT | - | - | - | - |
| WMC302136 BUTT | 2 | DR1515 BUTT | - | - | - | - |
| WMSC271236 BUTT | 2 | DR1315 BUTT | - | - | - | - |
| WMSC271836 BUTT | 2 | DR1315 BUTT | - | - | - | - |
| WMSC301236 BUTT | 2 | DR1515 BUTT | - | - | - | - |
| WALL COMPACT MICROWAVE - 36" HIGH | | | | | | |
| WCMSC241236 BUTT | 2 | DR1218 BUTT | - | - | - | - |
| WCMSC271236 BUTT | 2 | DR1318 BUTT | - | - | - | - |
| WALL RANGE HOOD - 30" HIGH | | | | | | |
| WRH3030 SV | 2 | DR1521 BUTT | - | - | - | - |
| WRH3630 SV | 2 | DR1821 BUTT | - | - | - | - |
| WRH3030 RP | 2 | DR1521 BUTT | - | - | - | - |
| WRH3630 RP | 2 | DR1821 BUTT | - | - | - | - |
| WALL RANGE HOOD - 27" HIGH | | | | | | |
| WRH3027 SV | 2 | DR1518 BUTT | - | - | - | - |
| WRH3627 SV | 2 | DR1818 BUTT | - | - | - | - |
| WRH3027 RP | 2 | DR1518 BUTT | - | - | - | - |
| WRH3627 RP | 2 | DR1818 BUTT | - | - | - | - |
| WALL RANGE HOOD - 24" HIGH | | | | | | |
| WRH3024 SV | 2 | DR1515 BUTT | - | - | - | - |
| WRH3624 SV | 2 | DR1815 BUTT | - | - | - | - |
| WRH3024 RP | 2 | DR1515 BUTT | - | - | - | - |
| WRH3624 RP | 2 | DR1815 BUTT | - | - | - | - |
| WALL EASY REACH | | | | | | |
| WER2430 | 1 | DR1230 WER DRILL | - | - | 2 | WER SHELF 3/4 |
| | 1 | DR1230 WER ND | | | | |
| WER2436 | 1 | DR1236 WER DRILL | - | - | 2 | WER SHELF 3/4 |
| | 1 | DR1236 WER ND | | | | |
| WER2439 | 1 | DR1239 WER DRILL | - | - | 3 | WER SHELF 3/4 |
| | 1 | DR1239 WER ND | | | | |
| WER2442 | 1 | DR1242 WER DRILL | - | - | 3 | WER SHELF 3/4 |
| | 1 | DR1242 WER ND | | | | |

PARTS DIRECTORY: Base Cabinets

| SKU | Qty | DRAWER FRONT | | DRAWER BODY |
|--|-----|--------------|-----------------|---------------------|
| | | Full Overlay | Partial Overlay | |
| | | Part Name | Part Name | Part Name |
| FURNITURE DRAWERS • 12" DEEP • 6" HIGH | | | | |
| FD121206 | 1 | DDF12 | DDF12 | DRB12 X 9DP DT FD |
| FD151206 | 1 | DDF15 | DDF15 | DRB15 X 9DP DT FD |
| FD181206 | 1 | DDF18 | DDF18 | DRB18 X 9DP DT FD |
| FD211206 | 1 | DDF21 | DDF21 | DRB21 X 9DP DT FD |
| FD241206 | 1 | DDF24 | DDF24 | DRB24 X 9DP DT FD |
| FD271206 | 1 | DDF27 | DDF27 | DRB27 X 9DP DT FD |
| FD301206 | 1 | DDF30 | DDF30 | DRB30 X 9DP DT FD |
| FD331206 | 1 | DDF33 | DDF33 | DRB33 X 9DP DT FD |
| FD361206 | 1 | DDF36 | DDF36 | DRB36 X 9DP DT FD |
| FURNITURE DRAWERS • 24" DEEP • 6" HIGH | | | | |
| FD122406 | 1 | DDF12 | DDF12 | DRB12 X 21DP DT FD |
| FD152406 | 1 | DDF15 | DDF15 | DRB15 X 21DP DT FD |
| FD182406 | 1 | DDF18 | DDF18 | DRB18 X 21DP DT FD |
| FD212406 | 1 | DDF21 | DDF21 | DRB21 X 21DP DT FD |
| FD242406 | 1 | DDF24 | DDF24 | DRB24 X 21DP DT FD |
| FD272406 | 1 | DDF27 | DDF27 | DRB27 X 21DP DT FD |
| FD302406 | 1 | DDF30 | DDF30 | DRB30 X 21DP DT FD |
| FD332406 | 1 | DDF33 | DDF33 | DRB33 X 21DP DT FD |
| FD362406 | 1 | DDF36 | DDF36 | DRB36 X 21DP DT FD |
| FURNITURE DRAWERS • 12" DEEP • 12" HIGH | | | | |
| FD121212 | 1 | DDF12M | DDF12D | DRB12M X 9DP DT FD |
| FD151212 | 1 | DDF15M | DDF15D | DRB15M X 9DP DT FD |
| FD181212 | 1 | DDF18M | DDF18D | DRB18M X 9DP DT FD |
| FD211212 | 1 | DDF21M | DDF21D | DRB21M X 9DP DT FD |
| FD241212 | 1 | DDF24M | DDF24D | DRB24M X 9DP DT FD |
| FD271212 | 1 | DDF27M | DDF27D | DRB27M X 9DP DT FD |
| FD301212 | 1 | DDF30M | DDF30D | DRB30M X 9DP DT FD |
| FD331212 | 1 | DDF33M | DDF33D | DRB33M X 9DP DT FD |
| FD361212 | 1 | DDF36M | DDF36D | DRB36M X 9DP DT FD |
| FURNITURE DRAWERS • 24" DEEP • 12" HIGH | | | | |
| FD122412 | 1 | DDF12M | DDF12D | DRB12M X 21DP DT FD |
| FD152412 | 1 | DDF15M | DDF15D | DRB15M X 21DP DT FD |
| FD182412 | 1 | DDF18M | DDF18D | DRB18M X 21DP DT FD |
| FD212412 | 1 | DDF21M | DDF21D | DRB21M X 21DP DT FD |
| FD242412 | 1 | DDF24M | DDF24D | DRB24M X 21DP DT FD |
| FD272412 | 1 | DDF27M | DDF27D | DRB27M X 21DP DT FD |
| FD302412 | 1 | DDF30M | DDF30D | DRB30M X 21DP DT FD |
| FD332412 | 1 | DDF33M | DDF33D | DRB33M X 21DP DT FD |
| FD362412 | 1 | DDF36M | DDF36D | DRB36M X 21DP DT FD |
| PEDESTAL DRAWERS | | | | |
| PD1217 1DWR | 1 | DDF12M | DDF12D | DRB12M X 21DP DT FD |
| PD1517 1DWR | 1 | DDF15M | DDF15D | DRB15M X 21DP DT FD |
| PD1817 1DWR | 1 | DDF18M | DDF18D | DRB18M X 21DP DT FD |
| PD2117 1DWR | 1 | DDF21M | DDF21D | DRB21M X 21DP DT FD |
| PD2417 1DWR | 1 | DDF24M | DDF24D | DRB24M X 21DP DT FD |
| PD2717 1DWR | 1 | DDF27M | DDF27D | DRB27M X 21DP DT FD |
| PD3017 1DWR | 1 | DDF30M | DDF30D | DRB30M X 21DP DT FD |
| PD3317 1DWR | 1 | DDF33M | DDF33D | DRB33M X 21DP DT FD |
| PD3617 1DWR | 1 | DDF36M | DDF36D | DRB36M X 21DP DT FD |

PARTS DIRECTORY: Base Cabinets

PARTS: BASE CABINETS

| SKU | Qty | DOOR | Qty | ADJUSTABLE SHELF/ACCESSORY | Qty | DRAWER/PANEL FRONT | Qty | DRAWER BODY |
|---|-----|-------------|-----|---|-----|--------------------|-----|--------------------|
| | | | | *For All Plywood Construction Adjustable Shelf, refer to Parts Directory legend | | | | |
| | | Part Name | | *Part Name | | Part Name | | Part Name |
| STANDARD BASE | | | | | | | | |
| B12 | 1 | DR1224 | 1 | 12" SHELF 24DP 3/4 | 1 | DDF12 | 1 | DRB12 X 21DP DT FD |
| B15 | 1 | DR1524 | 1 | 15" SHELF 24DP 3/4 | 1 | DDF15 | 1 | DRB15 X 21DP DT FD |
| B18 | 1 | DR1824 | 1 | 18" SHELF 24DP 3/4 | 1 | DDF18 | 1 | DRB18 X 21DP DT FD |
| B21 | 1 | DR2124 | 1 | 21" SHELF 24DP 3/4 | 1 | DDF21 | 1 | DRB21 X 21DP DT FD |
| B24 | 1 | DR2424 | 1 | 24" SHELF 24DP 3/4 | 1 | DDF24 | 1 | DRB24 X 21DP DT FD |
| B24 BUTT | 2 | DR1224 BUTT | 1 | 24" SHELF 24DP 3/4 | 1 | DDF24 | 1 | DRB24 X 21DP DT FD |
| B27 BUTT | 2 | DR1324 BUTT | 1 | 27" SHELF 24DP 3/4 | 1 | DDF27 | 1 | DRB27 X 21DP DT FD |
| B30 BUTT | 2 | DR1524 BUTT | 1 | 30" SHELF 24DP 3/4 | 1 | DDF30 | 1 | DRB30 X 21DP DT FD |
| B33 BUTT | 2 | DR1624 BUTT | 1 | 33" SHELF 24DP 3/4 | 1 | DDF33 | 1 | DRB33 X 21DP DT FD |
| B36 ITD BUTT | 2 | DR1824 BUTT | 1 | 36" SHELF 24DP 3/4 | 1 | DDF36 | 1 | DRB36 X 21DP DT FD |
| B39 | 2 | DR1924 | 1 | 39" SHELF 24DP 3/4 | 2 | DDF19 | 2 | DRB19 X 21DP DT FD |
| B42 | 2 | DR2124 | 1 | 42" SHELF 24DP 3/4 | 2 | DDF21 | 2 | DRB21 X 21DP DT FD |
| B45 | 3 | DR1524 | 1 | 45" SHELF 24DP 3/4 | 3 | DDF15 | 3 | DRB15 X 21DP DT FD |
| B48 | 2 | DR2424 | 1 | 48" SHELF 24DP 3/4 | 2 | DDF24 | 2 | DRB24 X 21DP DT FD |
| BASE WITH ONE DEEP ROLL OUT TRAY AND ONE ADJUSTABLE SHELF | | | | | | | | |
| B12 FWT | 1 | DR1224 | 1 | 12" SHELF 24DP 3/4 DROT12 | 1 | DDF12 | 1 | DRB12 X 21DP DT FD |
| B15 FWT | 1 | DR1524 | 1 | 15" SHELF 24DP 3/4 DROT15 | 1 | DDF15 | 1 | DRB15 X 21DP DT FD |
| B18 FWT | 1 | DR1824 | 1 | 18" SHELF 24DP 3/4 DROT18 | 1 | DDF18 | 1 | DRB18 X 21DP DT FD |
| B21 FWT | 1 | DR2124 | 1 | 21" SHELF 24DP 3/4 DROT21 | 1 | DDF21 | 1 | DRB21 X 21DP DT FD |
| B24 FWT | 1 | DR2424 | 1 | 24" SHELF 24DP 3/4 DROT24 | 1 | DDF24 | 1 | DRB24 X 21DP DT FD |
| B24 FWT BUTT | 2 | DR1224 BUTT | 1 | 24" SHELF 24DP 3/4 DROT24 | 1 | DDF24 | 1 | DRB24 X 21DP DT FD |
| B27 FWT BUTT | 2 | DR1324 BUTT | 1 | 27" SHELF 24DP 3/4 DROT27 | 1 | DDF27 | 1 | DRB27 X 21DP DT FD |
| B30 FWT BUTT | 2 | DR1524 BUTT | 1 | 30" SHELF 24DP 3/4 DROT30 | 1 | DDF30 | 1 | DRB30 X 21DP DT FD |
| B33 FWT BUTT | 2 | DR1624 BUTT | 1 | 33" SHELF 24DP 3/4 DROT33 | 1 | DDF33 | 1 | DRB33 X 21DP DT FD |
| B36 ITD FWT BUTT | 2 | DR1824 BUTT | 1 | 36" SHELF 24DP 3/4 DROT36 | 1 | DDF36 | 1 | DRB36 X 21DP DT FD |
| BASE WITH TWO DEEP ROLL OUT TRAYS AND ONE ADJUSTABLE SHELF | | | | | | | | |
| B39 2T | 2 | DR1924 | 1 | 39" SHELF 24DP 3/4 DROT19 | 2 | DDF19 | 2 | DRB19 X 21DP DT FD |
| B42 2T | 2 | DR2124 | 1 | 42" SHELF 24DP 3/4 DROT21 | 2 | DDF21 | 2 | DRB21 X 21DP DT FD |
| B48 2T | 2 | DR2424 | 1 | 48" SHELF 24DP 3/4 DROT24 | 2 | DDF24 | 2 | DRB24 X 21DP DT FD |
| BASE WITH THREE DEEP ROLL OUT TRAYS AND ONE ADJUSTABLE SHELF | | | | | | | | |
| B45 3T | 3 | DR1524 | 1 | 45" SHELF 24DP 3/4 DROT15 | 3 | DDF15 | 3 | DRB15 X 21DP DT FD |

PARTS DIRECTORY: Base Cabinets

| SKU | Qty | DOOR | Qty | ADJUSTABLE SHELF/ACCESSORY | Qty | DRAWER/PANEL FRONT | Qty | DRAWER BODY |
|--|-----|-------------|-----|----------------------------|-----|--------------------|-----|--------------------|
| | | Part Name | | *Part Name | | Part Name | | Part Name |
| BASE WITH TWO DEEP ROLL OUT TRAYS | | | | | | | | |
| B12 2FWT | 1 | DR1224 | 2 | DROT12 | 1 | DDF12 | 1 | DRB12 X 21DP DT FD |
| B15 2FWT | 1 | DR1524 | 2 | DROT15 | 1 | DDF15 | 1 | DRB15 X 21DP DT FD |
| B18 2FWT | 1 | DR1824 | 2 | DROT18 | 1 | DDF18 | 1 | DRB18 X 21DP DT FD |
| B21 2FWT | 1 | DR2124 | 2 | DROT21 | 1 | DDF21 | 1 | DRB21 X 21DP DT FD |
| B24 2FWT | 1 | DR2424 | 2 | DROT24 | 1 | DDF24 | 1 | DRB24 X 21DP DT FD |
| B24 2FWT BUTT | 2 | DR1224 BUTT | 2 | DROT24 | 1 | DDF24 | 1 | DRB24 X 21DP DT FD |
| B27 2FWT BUTT | 2 | DR1324 BUTT | 2 | DROT27 | 1 | DDF27 | 1 | DRB27 X 21DP DT FD |
| B30 2FWT BUTT | 2 | DR1524 BUTT | 2 | DROT30 | 1 | DDF30 | 1 | DRB30 X 21DP DT FD |
| B33 2FWT BUTT | 2 | DR1624 BUTT | 2 | DROT33 | 1 | DDF33 | 1 | DRB33 X 21DP DT FD |
| B36 1TD 2FWT BUTT | 2 | DR1824 BUTT | 2 | DROT36 | 1 | DDF36 | 1 | DRB36 X 21DP DT FD |
| BASE WITH FOUR DEEP ROLL OUT TRAYS | | | | | | | | |
| B39 4T | 2 | DR1924 | 4 | DROT19 | 2 | DDF19 | 2 | DRB19 X 21DP DT FD |
| B42 4T | 2 | DR2124 | 4 | DROT21 | 2 | DDF21 | 2 | DRB21 X 21DP DT FD |
| B48 4T | 2 | DR2424 | 4 | DROT24 | 2 | DDF24 | 2 | DRB24 X 21DP DT FD |
| BASE WITH SIX DEEP ROLL OUT TRAYS | | | | | | | | |
| B45 6T | 3 | DR1524 | 6 | DROT15 | 3 | DDF15 | 3 | DRB15 X 21DP DT FD |
| BASE POT AND PAN ORGANIZER CABINET | | | | | | | | |
| B24 BPPO | 1 | DR2424 | 1 | BPPOK24 | 1 | DDF24 | 1 | DRB24 X 21DP DT FD |
| B24 BUTT BPPO | 2 | DR1224 BUTT | 1 | BPPOK24 | 1 | DDF24 | 1 | DRB24 X 21DP DT FD |
| B27 BUTT BPPO | 2 | DR1324 BUTT | 1 | BPPOK27 | 1 | DDF27 | 1 | DRB27 X 21DP DT FD |
| B30 BUTT BPPO | 2 | DR1524 BUTT | 1 | BPPOK30 | 1 | DDF30 | 1 | DRB30 X 21DP DT FD |
| B33 BUTT BPPO | 2 | DR1624 BUTT | 1 | BPPOK33 | 1 | DDF33 | 1 | DRB33 X 21DP DT FD |
| B36 1TD BUTT BPPO | 2 | DR1824 BUTT | 1 | BPPOK36 | 1 | DDF36 | 1 | DRB36 X 21DP DT FD |
| BASE WITH ROLL OUT TRAY DIVIDER | | | | | | | | |
| B12 ROTD | 1 | DR1224 | 1 | ROTDK12 | 1 | DDF12 | 1 | DRB12 X 21DP DT FD |
| B15 ROTD | 1 | DR1524 | 1 | ROTDK15 | 1 | DDF15 | 1 | DRB15 X 21DP DT FD |
| BASE WITH BOTTOM MOUNT WASTEBASKET(S) | | | | | | | | |
| BWBB15 | 1 | DR1524 ND | 1 | BWBB15_OL KIT | 1 | DDF15 | 1 | DRB15 X 21DP DT FD |
| BWBB15-2 | 1 | DR1524 ND | 1 | BWBB15-2_OL KIT | 1 | DDF15 | 1 | DRB15 X 21DP DT FD |
| BWBB18-2 | 1 | DR1824 ND | 1 | BWBB18-2_OL KIT | 1 | DDF18 | 1 | DRB18 X 21DP DT FD |
| BWBB21-2 | 1 | DR2124 ND | 1 | BWBB21-2_OL KIT | 1 | DDF21 | 1 | DRB21 X 21DP DT FD |
| PENINSULA BASE | | | | | | | | |
| PB12 | 2 | DR1224 | 1 | 12" SHELF PB 3/4 | 2 | DDF12 | 1 | DRB12 X 21DP DT FD |
| PB18 | 2 | DR1824 | 1 | 18" SHELF PB 3/4 | 2 | DDF18 | 1 | DRB18 X 21DP DT FD |
| PB24 | 2 | DR2424 | 1 | 24" SHELF PB 3/4 | 2 | DDF24 | 1 | DRB24 X 21DP DT FD |
| PB24 BUTT | 4 | DR1224 BUTT | 1 | 24" SHELF PB 3/4 | 2 | DDF24 | 1 | DRB24 X 21DP DT FD |
| PB30 BUTT | 4 | DR1524 BUTT | 1 | 30" SHELF PB 3/4 | 2 | DDF30 | 1 | DRB30 X 21DP DT FD |
| PB36 1TD BUTT | 4 | DR1824 BUTT | 1 | 36" SHELF PB 3/4 | 2 | DDF36 | 1 | DRB36 X 21DP DT FD |
| PB42 | 4 | DR2124 | 1 | 42" SHELF PB 3/4 | 4 | DDF21 | 2 | DRB21 X 21DP DT FD |

| SKU | Qty | DOOR | Qty | ADJUSTABLE SHELF/ACCESSORY | Qty | DRAWER/PANEL FRONT | Qty | DRAWER BODY |
|---|-----|-------------|-----|------------------------------|-----|--------------------|-----|--------------------|
| | | Part Name | | *Part Name | | Part Name | | Part Name |
| STANDARD BASE WITH FACTORY INSTALLED CUTLERY DIVIDER | | | | | | | | |
| B15 CD | 1 | DR1524 | 1 | 15" SHELF 24DP 3/4 | 1 | DDF15 | 1 | DRB15 X 21DP DT FD |
| B18 CD | 1 | DR1824 | 1 | 18" SHELF 24DP 3/4 | 1 | DDF18 | 1 | DRB18 X 21DP DT FD |
| B21 CD | 1 | DR2124 | 1 | 21" SHELF 24DP 3/4 | 1 | DDF21 | 1 | DRB21 X 21DP DT FD |
| B24 CD | 1 | DR2424 | 1 | 24" SHELF 24DP 3/4 | 1 | DDF24 | 1 | DRB24 X 21DP DT FD |
| B24 BUTT CD | 2 | DR1224 BUTT | 1 | 24" SHELF 24DP 3/4 | 1 | DDF24 | 1 | DRB24 X 21DP DT FD |
| B30 BUTT CD | 2 | DR1524 BUTT | 1 | 30" SHELF 24DP 3/4 | 1 | DDF30 | 1 | DRB30 X 21DP DT FD |
| B36 ITD BUTT CD | 2 | DR1824 BUTT | 1 | 36" SHELF 24DP 3/4 | 1 | DDF36 | 1 | DRB36 X 21DP DT FD |
| BASE WITH ONE DEEP ROLL OUT TRAY AND FACTORY INSTALLED CUTLERY DIVIDER | | | | | | | | |
| B15 FWT CD | 1 | DR1524 | 1 | 15" SHELF 24DP 3/4 DROT15 | 1 | DDF15 | 1 | DRB15 X 21DP DT FD |
| B18 FWT CD | 1 | DR1824 | 1 | 18" SHELF 24DP 3/4 DROT18 | 1 | DDF18 | 1 | DRB18 X 21DP DT FD |
| B21 FWT CD | 1 | DR2124 | 1 | 21" SHELF 24DP 3/4 DROT21 | 1 | DDF21 | 1 | DRB21 X 21DP DT FD |
| B24 FWT CD | 1 | DR2424 | 1 | 24" SHELF 24DP 3/4 DROT24 | 1 | DDF24 | 1 | DRB24 X 21DP DT FD |
| B24 FWT BUTT CD | 2 | DR1224 BUTT | 1 | 24" SHELF 24DP 3/4 DROT24 | 1 | DDF24 | 1 | DRB24 X 21DP DT FD |
| B30 FWT BUTT CD | 2 | DR1524 BUTT | 1 | 30" SHELF 24DP 3/4 DROT30 | 1 | DDF30 | 1 | DRB30 X 21DP DT FD |
| B36 FWT BUTT CD | 2 | DR1824 BUTT | 1 | 36" SHELF 24DP 3/4 DROT36 | 1 | DDF36 | 1 | DRB36 X 21DP DT FD |
| BASE WITH TWO DEEP ROLL OUT TRAYS AND FACTORY INSTALLED CUTLERY DIVIDER | | | | | | | | |
| B15 2FWT CD | 1 | DR1524 | 2 | DROT15 | 1 | DDF15 | 1 | DRB15 X 21DP DT FD |
| B18 2FWT CD | 1 | DR1824 | 2 | DROT18 | 1 | DDF18 | 1 | DRB18 X 21DP DT FD |
| B21 2FWT CD | 1 | DR2124 | 2 | DROT21 | 1 | DDF21 | 1 | DRB21 X 21DP DT FD |
| B24 2FWT CD | 1 | DR2424 | 2 | DROT24 | 1 | DDF24 | 1 | DRB24 X 21DP DT FD |
| B24 2FWT BUTT CD | 2 | DR1224 BUTT | 2 | DROT24 | 1 | DDF24 | 1 | DRB24 X 21DP DT FD |
| B30 2FWT BUTT CD | 2 | DR1524 BUTT | 1 | DROT30 | 1 | DDF30 | 1 | DRB30 X 21DP DT FD |
| B36 ITD 2FWT BUTT CD | 2 | DR1824 BUTT | 1 | DROT36 | 1 | DDF36 | 1 | DRB36 X 21DP DT FD |
| STANDARD BASE WITH FACTORY INSTALLED SPICE DRAWER INSERT | | | | | | | | |
| B15 SDI | 1 | DR1524 | 1 | 15" SHELF 24DP 3/4 | 1 | DDF15 | 1 | DRB15 X 21DP DT FD |
| B18 SDI | 1 | DR1824 | 1 | 18" SHELF 24DP 3/4 | 1 | DDF18 | 1 | DRB18 X 21DP DT FD |
| B21 SDI | 1 | DR2124 | 1 | 21" SHELF 24DP 3/4 | 1 | DDF21 | 1 | DRB21 X 21DP DT FD |
| B24 SDI | 1 | DR2424 | 1 | 24" SHELF 24DP 3/4 | 1 | DDF24 | 1 | DRB24 X 21DP DT FD |
| B24 BUTT SDI | 2 | DR1224 BUTT | 1 | 24" SHELF 24DP 3/4 | 1 | DDF24 | 1 | DRB24 X 21DP DT FD |
| BASE WITH ONE DEEP ROLL OUT TRAY AND FACTORY INSTALLED SPICE DRAWER INSERT | | | | | | | | |
| B15 FWT SDI | 1 | DR1524 | 1 | 15" SHELF 24DP 3/4 DROT15 | 1 | DDF15 | 1 | DRB15 X 21DP DT FD |
| B18 FWT SDI | 1 | DR1824 | 1 | 18" SHELF 24DP 3/4 DROT18 | 1 | DDF18 | 1 | DRB18 X 21DP DT FD |
| B21 FWT SDI | 1 | DR2124 | 1 | 21" SHELF 24DP 3/4 DROT21 | 1 | DDF21 | 1 | DRB21 X 21DP DT FD |
| B24 FWT SDI | 1 | DR2424 | 1 | 24" SHELF 24DP 3/4 DROT24 | 1 | DDF24 | 1 | DRB24 X 21DP DT FD |
| B24 FWT BUTT SDI | 2 | DR1224 BUTT | 1 | 24" SHELF 24DP 3/4 DROT24 | 1 | DDF24 | 1 | DRB24 X 21DP DT FD |

PARTS DIRECTORY: Base Cabinets

| SKU | Qty | DOOR | Qty | ADJUSTABLE SHELF/ACCESSORY | Qty | DRAWER/PANEL FRONT | Qty | DRAWER BODY |
|--|-----|-------------|-----|------------------------------|-----|--------------------|-----|--------------------|
| | | Part Name | | *Part Name | | Part Name | | Part Name |
| BASE WITH TWO DEEP ROLL OUT TRAYS AND FACTORY INSTALLED SPICE DRAWER INSERT | | | | | | | | |
| B15 2FWT SDI | 1 | DRI524 | 2 | DROT15 | 1 | DDF15 | 1 | DRB15 X 21DP DT FD |
| B18 2FWT SDI | 1 | DRI824 | 2 | DROT18 | 1 | DDF18 | 1 | DRB18 X 21DP DT FD |
| B21 2FWT SDI | 1 | DR2124 | 2 | DROT21 | 1 | DDF21 | 1 | DRB21 X 21DP DT FD |
| B24 2FWT SDI | 1 | DR2424 | 2 | DROT24 | 1 | DDF24 | 1 | DRB24 X 21DP DT FD |
| B24 2FWT BUTT SDI | 2 | DRI224 BUTT | 2 | DROT24 | 1 | DDF24 | 1 | DRB24 X 21DP DT FD |
| STANDARD BASE WITH FACTORY INSTALLED WOOD TIERED CUTLERY DIVIDER | | | | | | | | |
| B15 WTCD | 1 | DRI524 | 1 | 15" SHELF 24DP 3/4 | 1 | DDF15 | 1 | WTCDFD15 |
| B18 WTCD | 1 | DRI824 | 1 | 18" SHELF 24DP 3/4 | 1 | DDF18 | 1 | WTCDFD18 |
| B21 WTCD | 1 | DR2124 | 1 | 21" SHELF 24DP 3/4 | 1 | DDF21 | 1 | WTCDFD21 |
| B24 WTCD | 1 | DR2424 | 1 | 24" SHELF 24DP 3/4 | 1 | DDF24 | 1 | WTCDFD24 |
| B24 BUTT WTCD | 2 | DRI224 BUTT | 1 | 24" SHELF 24DP 3/4 | 1 | DDF24 | 1 | WTCDFD24 |
| B30 BUTT WTCD | 2 | DRI524 BUTT | 1 | 30" SHELF 24DP 3/4 | 1 | DDF30 | 1 | WTCDFD30 |
| B36 1TD BUTT WTCD | 2 | DRI824 BUTT | 1 | 36" SHELF 24DP 3/4 | 1 | DDF36 | 1 | WTCDFD36 |
| BASE WITH ONE DEEP ROLL OUT TRAY AND FACTORY INSTALLED WOOD TIERED CUTLERY DIVIDER | | | | | | | | |
| B15 FWT WTCD | 1 | DRI524 | 1 | 15" SHELF 24DP 3/4 DROT15 | 1 | DDF15 | 1 | WTCDFD15 |
| B18 FWT WTCD | 1 | DRI824 | 1 | 18" SHELF 24DP 3/4 DROT18 | 1 | DDF18 | 1 | WTCDFD18 |
| B21 FWT WTCD | 1 | DR2124 | 1 | 21" SHELF 24DP 3/4 DROT21 | 1 | DDF21 | 1 | WTCDFD21 |
| B24 FWT WTCD | 1 | DR2424 | 1 | 24" SHELF 24DP 3/4 DROT24 | 1 | DDF24 | 1 | WTCDFD24 |
| B24 FWT BUTT WTCD | 2 | DRI224 BUTT | 1 | 24" SHELF 24DP 3/4 DROT24 | 1 | DDF24 | 1 | WTCDFD24 |
| B30 FWT BUTT WTCD | 2 | DRI524 BUTT | 1 | 30" SHELF 24DP 3/4 DROT30 | 1 | DDF30 | 1 | WTCDFD30 |
| B36 FWT BUTT WTCD | 2 | DRI824 BUTT | 1 | 36" SHELF 24DP 3/4 DROT36 | 1 | DDF36 | 1 | WTCDFD36 |
| BASE WITH TWO DEEP ROLL OUT TRAYS AND FACTORY INSTALLED WOOD TIERED CUTLERY DIVIDER | | | | | | | | |
| B15 2FWT WTCD | 1 | DRI524 | 2 | DROT15 | 1 | DDF15 | 1 | WTCDFD15 |
| B18 2FWT WTCD | 1 | DRI824 | 2 | DROT18 | 1 | DDF18 | 1 | WTCDFD18 |
| B21 2FWT WTCD | 1 | DR2124 | 2 | DROT21 | 1 | DDF21 | 1 | WTCDFD21 |
| B24 2FWT WTCD | 1 | DR2424 | 2 | DROT24 | 1 | DDF24 | 1 | WTCDFD24 |
| B24 2FWT BUTT WTCD | 2 | DRI224 BUTT | 2 | DROT24 | 1 | DDF24 | 1 | WTCDFD24 |
| B30 2FWT BUTT WTCD | 2 | DRI524 BUTT | 1 | DROT30 | 1 | DDF30 | 1 | WTCDFD30 |
| B36 1TD 2FWT BUTT WTCD | 2 | DRI824 BUTT | 1 | DROT36 | 1 | DDF36 | 1 | WTCDFD36 |
| BLIND CORNER | | | | | | | | |
| BLB36/39 | 1 | DRI224 | 1 | 27" SHELF 24DP 3/4 | 1 | DDF12 | 1 | DRB12 X 21DP DT FD |
| BLB39/42 | 1 | DRI524 | 1 | 33" SHELF 24DP 3/4 | 1 | DDF15 | 1 | DRB15 X 21DP DT FD |
| BLB42/45 | 1 | DRI824 | 1 | 39" SHELF 24DP 3/4 | 1 | DDF18 | 1 | DRB18 X 21DP DT FD |
| BLB45/48 | 1 | DR2124 | 1 | 45" SHELF 24DP 3/4 | 1 | DDF21 | 1 | DRB21 X 21DP DT FD |
| BLB48/51 | 1 | DR2124 | 1 | 48" SHELF 24DP 3/4 | 1 | DDF21 | 1 | DRB21 X 21DP DT FD |
| BLIND PENINSULA CORNER | | | | | | | | |
| PBC24 | 1 | DR2424 | 1 | 24" SHELF PB 3/4 | 1 | DDF24 | 1 | DRB24 X 21DP DT FD |
| PBC24 BUTT | 2 | DRI224 BUTT | 1 | 24" SHELF PB 3/4 | 1 | DDF24 | 1 | DRB24 X 21DP DT FD |

PARTS DIRECTORY: Drawer Base Cabinets

PARTS: BASE CABINETS

| SKU | Qty | DRAWER FRONT | | DRAWER BODY |
|--|-----|--------------|-----------------|---------------------|
| | | Full Overlay | Partial Overlay | |
| | | Part Name | Part Name | Part Name |
| TWO DRAWER BASE CABINET | | | | |
| DB21 2DWR | 2 | DDF21 2DB | DDF21 2DB | DRB21 HD X 21DPDTFD |
| DB24 2DWR | 2 | DDF24 2DB | DDF24 2DB | DRB24 HD X 21DPDTFD |
| DB27 2DWR | 2 | DDF27 2DB | DDF27 2DB | DRB27 HD X 21DPDTFD |
| DB30 2DWR | 2 | DDF30 2DB | DDF30 2DB | DRB30 HD X 21DPDTFD |
| DB33 2DWR | 2 | DDF33 2DB | DDF33 2DB | DRB33 HD X 21DPDTFD |
| DB36 2DWR | 2 | DDF36 2DB | DDF36 2DB | DRB36 HD X 21DPDTFD |
| TWO DRAWER BASE CABINET WITH PEG DISH ORGANIZER | | | | |
| DB21 2DWR PDO | 2 | DDF21 2DB | DDF21 2DB | DRB21 HD X 21DPDTFD |
| DB24 2DWR PDO | 2 | DDF24 2DB | DDF24 2DB | DRB24 HD X 21DPDTFD |
| DB27 2DWR PDO | 2 | DDF27 2DB | DDF27 2DB | DRB27 HD X 21DPDTFD |
| DB30 2DWR PDO | 2 | DDF30 2DB | DDF30 2DB | DRB30 HD X 21DPDTFD |
| DB33 2DWR PDO | 2 | DDF33 2DB | DDF33 2DB | DRB33 HD X 21DPDTFD |
| DB36 2DWR PDO | 2 | DDF36 2DB | DDF36 2DB | DRB36 HD X 21DPDTFD |
| TWO DRAWER BASE CABINET WITH SCALLOPED FULL WIDTH TRAY | | | | |
| DB21 2DWR SFWT | 2 | DDF21 2DB | DDF21 2DB | DRB21 HD X 21DPDTFD |
| | 1 | - | - | SDROT21 |
| DB24 2DWR SFWT | 2 | DDF24 2DB | DDF24 2DB | DRB24 HD X 21DPDTFD |
| | 1 | - | - | SDROT24 |
| DB27 2DWR SFWT | 2 | DDF27 2DB | DDF27 2DB | DRB27 HD X 21DPDTFD |
| | 1 | - | - | SDROT27 |
| DB30 2DWR SFWT | 2 | DDF30 2DB | DDF30 2DB | DRB30 HD X 21DPDTFD |
| | 1 | - | - | SDROT30 |
| DB33 2DWR SFWT | 2 | DDF33 2DB | DDF33 2DB | DRB33 HD X 21DPDTFD |
| | 1 | - | - | SDROT33 |
| DB36 2DWR SFWT | 2 | DDF36 2DB | DDF36 2DB | DRB36 HD X 21DPDTFD |
| | 1 | - | - | SDROT36 |
| TWO DRAWER BASE CABINET WITH PEG DISH ORGANIZER & SCALLOPED FULL WIDTH TRAY | | | | |
| DB21 2DWR SFWT PDO | 2 | DDF21 2DB | DDF21 2DB | DRB21 HD X 21DPDTFD |
| | 1 | - | - | SDROT21 |
| DB24 2DWR SFWT PDO | 2 | DDF24 2DB | DDF24 2DB | DRB24 HD X 21DPDTFD |
| | 1 | - | - | SDROT24 |
| DB27 2DWR SFWT PDO | 2 | DDF27 2DB | DDF27 2DB | DRB27 HD X 21DPDTFD |
| | 1 | - | - | SDROT27 |
| DB30 2DWR SFWT PDO | 2 | DDF30 2DB | DDF30 2DB | DRB30 HD X 21DPDTFD |
| | 1 | - | - | SDROT30 |
| DB33 2DWR SFWT PDO | 2 | DDF33 2DB | DDF33 2DB | DRB33 HD X 21DPDTFD |
| | 1 | - | - | SDROT33 |
| DB36 2DWR SFWT PDO | 2 | DDF36 2DB | DDF36 2DB | DRB36 HD X 21DPDTFD |
| | 1 | - | - | SDROT36 |

PARTS DIRECTORY: Drawer Base Cabinets

| SKU | Qty | DRAWER FRONT | | DRAWER BODY |
|---|-----|--------------|-----------------|---------------------|
| | | Full Overlay | Partial Overlay | |
| | | Part Name | Part Name | Part Name |
| THREE DRAWER BASE CABINET | | | | |
| DB12 | 1 | DDF12 | DDF12 | DRB12 X 21DP DT FD |
| | 2 | DDF12M | DDF12D | DRB12M X 21DP DT FD |
| DB15 | 1 | DDF15 | DDF15 | DRB15 X 21DP DT FD |
| | 2 | DDF15M | DDF15D | DRB15M X 21DP DT FD |
| DB18 | 1 | DDF18 | DDF18 | DRB18 X 21DP DT FD |
| | 2 | DDF18M | DDF18D | DRB18M X 21DP DT FD |
| DB21 | 1 | DDF21 | DDF21 | DRB21 X 21DP DT FD |
| | 2 | DDF21M | DDF21D | DRB21M X 21DP DT FD |
| DB24 | 1 | DDF24 | DDF24 | DRB24 X 21DP DT FD |
| | 2 | DDF24M | DDF24D | DRB24M X 21DP DT FD |
| DB27 | 1 | DDF27 | DDF27 | DRB27 X 21DP DT FD |
| | 2 | DDF27M | DDF27D | DRB27M X 21DP DT FD |
| DB30 | 1 | DDF30 | DDF30 | DRB30 X 21DP DT FD |
| | 2 | DDF30M | DDF30D | DRB30M X 21DP DT FD |
| DB33 | 1 | DDF33 | DDF33 | DRB33 X 21DP DT FD |
| | 2 | DDF33M | DDF33D | DRB33M X 21DP DT FD |
| DB36 ITD | 1 | DDF36 | DDF36 | DRB36 X 21DP DT FD |
| | 2 | DDF36M | DDF36D | DRB36M X 21DP DT FD |
| THREE DRAWER BASE CABINET WITH FACTORY INSTALLED CUTLERY DIVIDER | | | | |
| DB15 CD | 1 | DDF15 | DDF15 | DRB15 X 21DP DT FD |
| | 2 | DDF15M | DDF15D | DRB15M X 21DP DT FD |
| DB18 CD | 1 | DDF18 | DDF18 | DRB18 X 21DP DT FD |
| | 2 | DDF18M | DDF18D | DRB18M X 21DP DT FD |
| DB21 CD | 1 | DDF21 | DDF21 | DRB21 X 21DP DT FD |
| | 2 | DDF21M | DDF21D | DRB21M X 21DP DT FD |
| DB24 CD | 1 | DDF24 | DDF24 | DRB24 X 21DP DT FD |
| | 2 | DDF24M | DDF24D | DRB24M X 21DP DT FD |
| DB30 CD | 1 | DDF30 | DDF30 | DRB30 X 21DP DT FD |
| | 2 | DDF30M | DDF30D | DRB30M X 21DP DT FD |
| DB36 ITD CD | 1 | DDF36 | DDF36 | DRB36 X 21DP DT FD |
| | 2 | DDF36M | DDF36D | DRB36M X 21DP DT FD |
| THREE DRAWER BASE CABINET WITH FACTORY INSTALLED SPICE DRAWER INSERT | | | | |
| DB15 SDI | 1 | DDF15 | DDF15 | DRB15 X 21DP DT FD |
| | 2 | DDF15M | DDF15D | DRB15M X 21DP DT FD |
| DB18 SDI | 1 | DDF18 | DDF18 | DRB18 X 21DP DT FD |
| | 2 | DDF18M | DDF18D | DRB18M X 21DP DT FD |
| DB21 SDI | 1 | DDF21 | DDF21 | DRB21 X 21DP DT FD |
| | 2 | DDF21M | DDF21D | DRB21M X 21DP DT FD |
| DB24 SDI | 1 | DDF24 | DDF24 | DRB24 X 21DP DT FD |
| | 2 | DDF24M | DDF24D | DRB24M X 21DP DT FD |
| THREE DRAWER BASE CABINET WITH FACTORY INSTALLED WOOD TIERED CUTLERY DIVIDER | | | | |
| DB15 WTCD | 1 | DDF15 | DDF15 | WTCDKFD15 |
| | 2 | DDF15M | DDF15D | DRB15M X 21DP DT FD |
| DB18 WTCD | 1 | DDF18 | DDF18 | WTCDKFD18 |
| | 2 | DDF18M | DDF18D | DRB18M X 21DP DT FD |
| DB21 WTCD | 1 | DDF21 | DDF21 | WTCDKFD21 |
| | 2 | DDF21M | DDF21D | DRB21M X 21DP DT FD |
| DB24 WTCD | 1 | DDF24 | DDF24 | WTCDKFD24 |
| | 2 | DDF24M | DDF24D | DRB24M X 21DP DT FD |
| DB30 WTCD | 1 | DDF30 | DDF30 | WTCDKFD30 |
| | 2 | DDF30M | DDF30D | DRB30M X 21DP DT FD |
| DB36 ITD WTCD | 1 | DDF36 | DDF36 | WTCDKFD36 |
| | 2 | DDF36M | DDF36D | DRB36M X 21DP DT FD |

| SKU | Qty | DRAWER FRONT | | DRAWER BODY |
|--|-----|--------------|-----------------|---------------------|
| | | Full Overlay | Partial Overlay | |
| | | Part Name | Part Name | Part Name |
| FOUR DRAWER BASE CABINET | | | | |
| DB12 4DWR | 3 | DDF12 | DDF12 | DRB12 X 21DP DT FD |
| | 1 | DDF12M | DDF12D | DRB12M X 21DP DT FD |
| DB15 4DWR | 3 | DDF15 | DDF15 | DRB15 X 21DP DT FD |
| | 1 | DDF15M | DDF15D | DRB15M X 21DP DT FD |
| DB18 4DWR | 3 | DDF18 | DDF18 | DRB18 X 21DP DT FD |
| | 1 | DDF18M | DDF18D | DRB18M X 21DP DT FD |
| DB21 4DWR | 3 | DDF21 | DDF21 | DRB21 X 21DP DT FD |
| | 1 | DDF21M | DDF21D | DRB21M X 21DP DT FD |
| DB24 4DWR | 3 | DDF24 | DDF24 | DRB24 X 21DP DT FD |
| | 1 | DDF24M | DDF24D | DRB24M X 21DP DT FD |
| FOUR DRAWER BASE CABINET WITH FACTORY INSTALLED CUTLERY DIVIDER | | | | |
| DB15 4DWR CD | 3 | DDF15 | DDF15 | DRB15 X 21DP DT FD |
| | 1 | DDF15M | DDF15D | DRB15M X 21DP DT FD |
| DB18 4DWR CD | 3 | DDF18 | DDF18 | DRB18 X 21DP DT FD |
| | 1 | DDF18M | DDF18D | DRB18M X 21DP DT FD |
| DB21 4DWR CD | 3 | DDF21 | DDF21 | DRB21 X 21DP DT FD |
| | 1 | DDF21M | DDF21D | DRB21M X 21DP DT FD |
| DB24 4DWR CD | 3 | DDF24 | DDF24 | DRB24 X 21DP DT FD |
| | 1 | DDF24M | DDF24D | DRB24M X 21DP DT FD |
| FOUR DRAWER BASE CABINET WITH FACTORY INSTALLED SPICE DRAWER INSERT | | | | |
| DB15 4DWR SDI | 3 | DDF15 | DDF15 | DRB15 X 21DP DT FD |
| | 1 | DDF15M | DDF15D | DRB15M X 21DP DT FD |
| DB18 4DWR SDI | 3 | DDF18 | DDF18 | DRB18 X 21DP DT FD |
| | 1 | DDF18M | DDF18D | DRB18M X 21DP DT FD |
| DB21 4DWR SDI | 3 | DDF21 | DDF21 | DRB21 X 21DP DT FD |
| | 1 | DDF21M | DDF21D | DRB21M X 21DP DT FD |
| DB24 4DWR SDI | 3 | DDF24 | DDF24 | DRB24 X 21DP DT FD |
| | 1 | DDF24M | DDF24D | DRB24M X 21DP DT FD |
| FOUR DRAWER BASE CABINET WITH FACTORY INSTALLED WOOD TIERED CUTLERY DIVIDER | | | | |
| DB15 4DWR WTCD | 1 | DDF15 | DDF15 | WTCDKFD15 |
| | 2 | DDF15 | DDF15 | DRB15 X 21DP DT FD |
| | 1 | DDF15M | DDF15D | DRB15M X 21DP DT FD |
| DB18 4DWR WTCD | 1 | DDF18 | DDF18 | WTCDKFD18 |
| | 2 | DDF18 | DDF18 | DRB18 X 21DP DT FD |
| | 1 | DDF18M | DDF18D | DRB18M X 21DP DT FD |
| DB21 4DWR WTCD | 1 | DDF21 | DDF21 | WTCDKFD21 |
| | 2 | DDF21 | DDF21 | DRB21 X 21DP DT FD |
| | 1 | DDF21M | DDF21D | DRB21M X 21DP DT FD |
| DB24 4DWR WTCD | 1 | DDF24 | DDF24 | WTCDKFD24 |
| | 2 | DDF24 | DDF24 | DRB24 X 21DP DT FD |
| | 1 | DDF24M | DDF24D | DRB24M X 21DP DT FD |
| BUILT-IN BASE MICROWAVE CABINET | | | | |
| BBMC24 | 1 | DDF24 | DDF24 | DRB21 X 21DP DT FD |
| BBMC27 | 1 | DDF27 | DDF27 | DRB24 X 21DP DT FD |
| BBMC30 | 1 | DDF30 | DDF30 | DRB27 X 21DP DT FD |
| BASE MICROWAVE CABINET | | | | |
| BMC24 | 2 | DDF24 | DDF24 | DRB24 X 21DP DT FD |
| BMC27 | 2 | DDF27 | DDF27 | DRB27 X 21DP DT FD |
| BMC30 | 2 | DDF30 | DDF30 | DRB30 X 21DP DT FD |
| BASE SPICE DRAWER CABINET | | | | |
| BSDC6 | 5 | DDF SDC | DDF SDC | DRB6 BSDC6 |
| WALL SPICE DRAWER CABINET | | | | |
| SDC18 | 3 | DDF SDC | DDF SDC | DRB6 SDC30 |
| SDC24 | 4 | DDF SDC | DDF SDC | DRB6 SDC30 |
| SDC30 | 5 | DDF SDC | DDF SDC | DRB6 SDC30 |
| SDC36 | 6 | DDF SDC | DDF SDC | DRB6 SDC30 |

PARTS DIRECTORY: Full-Height Base Cabinets

| SKU | Qty | DOOR | | Qty | ADJUSTABLE SHELF, DROT AND/OR ACCESSORY |
|---|-----|--------------|-----------------|-----|---|
| | | Full Overlay | Partial Overlay | | *For All Plywood Construction Adjustable Shelf, refer to Parts Directory legend |
| | | Part Name | Part Name | | *Part Name |
| FULL-HEIGHT BASE | | | | | |
| TB9 | 1 | DR9FH | DR930 | - | - |
| B12 FH | 1 | DR12FH | DR1230 | 1 | 12" SHELF 24DP 3/4 |
| B15 FH | 1 | DR15FH | DR1530 | 1 | 15" SHELF 24DP 3/4 |
| B18 FH | 1 | DR18FH | DR1830 | 1 | 18" SHELF 24DP 3/4 |
| B21 FH | 1 | DR21FH | DR2130 | 1 | 21" SHELF 24DP 3/4 |
| B24 FH | 1 | DR24FH | DR2430 | 1 | 24" SHELF 24DP 3/4 |
| B24 BUTT FH | 2 | DR12BUTT FH | DR1230 BUTT | 1 | 24" SHELF 24DP 3/4 |
| B27 BUTT FH | 2 | DR13BUTT FH | DR1330 BUTT | 1 | 27" SHELF 24DP 3/4 |
| B30 BUTT FH | 2 | DR15BUTT FH | DR1530 BUTT | 1 | 30" SHELF 24DP 3/4 |
| B33 BUTT FH | 2 | DR16BUTT FH | DR1630 BUTT | 1 | 33" SHELF 24DP 3/4 |
| B36 BUTT FH | 2 | DR18BUTT FH | DR1830 BUTT | 1 | 36" SHELF 24DP 3/4 |
| FULL-HEIGHT BASE WITH ACCESSORY | | | | | |
| TB9 TDS | 1 | DR9FH | DR930 | 1 | 9" SHELF 24 DP 3/4 |
| BTDP9 | 1 | DR9FH ND | DR930 ND | 1 | BTDP9 KIT |
| BPP9 | 1 | DR9FH ND | DR930 ND | 1 | BPP9 KIT |
| BPP12 | 1 | DR12FH ND | DR1230 ND | 1 | BPP12 KIT |
| BPPUS9 | 1 | DR9FH ND | DR930 ND | 1 | BPPUS9 KIT |
| BPPUS12 | 1 | DR12FH ND | DR1230 ND | 1 | BPPUS12 KIT |
| FULL-HEIGHT BASE WITH TWO DEEP ROLL OUT TRAYS | | | | | |
| B12 FH 2FWT | 1 | DR12FH | DR1230 | 2 | DROT12 |
| B15 FH 2FWT | 1 | DR15FH | DR1530 | 2 | DROT15 |
| B18 FH 2FWT | 1 | DR18FH | DR1830 | 2 | DROT18 |
| B21 FH 2FWT | 1 | DR21FH | DR2130 | 2 | DROT21 |
| B24 FH 2FWT | 1 | DR24FH | DR2430 | 2 | DROT24 |
| B24 BUTT FH 2FWT | 2 | DR12BUTT FH | DR1230 BUTT | 2 | DROT24 |
| B27 BUTT FH 2FWT | 2 | DR13BUTT FH | DR1330 BUTT | 2 | DROT27 |
| B30 BUTT FH 2FWT | 2 | DR15BUTT FH | DR1530 BUTT | 2 | DROT30 |
| B33 BUTT FH 2FWT | 2 | DR16BUTT FH | DR1630 BUTT | 2 | DROT33 |
| B36 BUTT FH 2FWT | 2 | DR18BUTT FH | DR1830 BUTT | 2 | DROT36 |
| FULL-HEIGHT BASE WITH FOUR DEEP ROLL OUT TRAYS | | | | | |
| B12 FH 4FWT | 1 | DR12FH | DR1230 | 4 | DROT12 |
| B15 FH 4FWT | 1 | DR15FH | DR1530 | 4 | DROT15 |
| B18 FH 4FWT | 1 | DR18FH | DR1830 | 4 | DROT18 |
| B21 FH 4FWT | 1 | DR21FH | DR2130 | 4 | DROT21 |
| B24 FH 4FWT | 1 | DR24FH | DR2430 | 4 | DROT24 |
| B24 BUTT FH 4FWT | 2 | DR12BUTT FH | DR1230 BUTT | 4 | DROT24 |
| B27 BUTT FH 4FWT | 2 | DR13BUTT FH | DR1330 BUTT | 4 | DROT27 |
| B30 BUTT FH 4FWT | 2 | DR15BUTT FH | DR1530 BUTT | 4 | DROT30 |
| B33 BUTT FH 4FWT | 2 | DR16BUTT FH | DR1630 BUTT | 4 | DROT33 |
| B36 BUTT FH 4FWT | 2 | DR18BUTT FH | DR1830 BUTT | 4 | DROT36 |
| FULL-HEIGHT BASE MIXER LIFT | | | | | |
| B18 FH MLK | 1 | DR18FH | DR1830 | 1 | BMLK18 |
| FULL-HEIGHT BLIND BASE | | | | | |
| BLB36/39 FH | 1 | DR12FH | DR1230 | 1 | 27" SHELF 24DP 3/4 |
| BLB39/42 FH | 1 | DR15FH | DR1530 | 1 | 33" SHELF 24DP 3/4 |
| BLB42/45 FH | 1 | DR18FH | DR1830 | 1 | 39" SHELF 24DP 3/4 |
| BLB45/48 FH | 1 | DR21FH | DR2130 | 1 | 45" SHELF 24DP 3/4 |
| BLB48/51 FH | 1 | DR21FH | DR2130 | 1 | 48" SHELF 24DP 3/4 |
| FULL-HEIGHT BLIND BASE - PULL OUT KIT | | | | | |
| BLB45/48 FH POK | 1 | DR21FH | DR2130 | 1 | BLBP0K45 |
| BLB48/51 FH POK | 1 | DR21FH | DR2130 | 1 | BLBP0K45 |

PARTS DIRECTORY: Full-Height Base Cabinets

| SKU | Qty | DOOR | | Qty | ADJUSTABLE SHELF, DROT AND/OR ACCESSORY |
|--|-----|--------------|-----------------|-----|---|
| | | Full Overlay | Partial Overlay | | *For All Plywood Construction Adjustable Shelf, refer to Parts Directory legend |
| | | Part Name | Part Name | | *Part Name |
| FULL-HEIGHT BLIND BASE - SWING OUT KIT | | | | | |
| BLB45/48 FH SOKL | 1 | DR21FH | DR2130 | 1 | BLBSOK45L |
| BLB45/48 FH SOKR | 1 | DR21FH | DR2130 | 1 | BLBSOK45R |
| BLB48/51 FH SOKL | 1 | DR21FH | DR2130 | 1 | BLBSOK45L |
| BLB48/51 FH SOKR | 1 | DR21FH | DR2130 | 1 | BLBSOK45R |
| FULL-HEIGHT BASE WITH BOTTOM MOUNT WASTEBASKET(S) | | | | | |
| BWBB15 FH | 1 | DR15FH ND | DR1530 ND | 1 | BWBB15 FH _OL KIT |
| BWBB18 FH | 1 | DR18FH ND | DR1830 ND | 1 | BWBB18 FH _OL KIT |
| BWBB21-2 FH | 1 | DR21FH ND | DR2130 ND | 1 | BWBB21-2 FH _OL KIT |
| BASE END ANGLE | | | | | |
| BEA12 FH | 1 | DR15FH | DR1530 | 1 | BEA12 SHELF 3/4 |
| BEA24 FH | 2 | DR18FH | DR1830 | 1 | BEA SHELF 3/4 |
| FULL-HEIGHT PENINSULA BASE | | | | | |
| PB12 FH | 2 | DR12FH | DR1230 | 1 | 12" SHELF PB 3/4 |
| PB18 FH | 2 | DR18FH | DR1830 | 1 | 18" SHELF PB 3/4 |
| PB24 BUTT FH | 4 | DR12BUTT FH | DR1230 BUTT | 1 | 24" SHELF PB 3/4 |
| PB30 BUTT FH | 4 | DR15BUTT FH | DR1530 BUTT | 1 | 30" SHELF PB 3/4 |
| PB36 BUTT FH | 4 | DR18BUTT FH | DR1830 BUTT | 1 | 36" SHELF PB 3/4 |

PARTS: BASE CABINETS

PARTS DIRECTORY: Sink Base Cabinets

| SKU | Qty | DOOR | | ACCESSORY | |
|--|-----|-------------|-----|-------------|-----|
| | | Part Name | Qty | Part Name | Qty |
| CORNER SINK BASE | | | | | |
| CSB36 | 1 | DR1524 | 1 | DDF15 | |
| CORNER SINK FRONT | | | | | |
| CSF36 | 1 | DR1524 | 1 | DDF15 | |
| CSF42 | 1 | DR2424 | 1 | DDF24 | |
| DEEP SINK BASE | | | | | |
| DSB30 BUTT | 2 | DR1521 BUTT | - | - | |
| DSB33 BUTT | 2 | DR1621 BUTT | - | - | |
| DSB36 BUTT | 2 | DR1821 BUTT | - | - | |
| DSB39 | 2 | DR1921 | - | - | |
| SINK/COOKTOP BASE AND FRONT | | | | | |
| SF12 | 1 | DR1224 | 1 | DDF12 | |
| SF15 | 1 | DR1524 | 1 | DDF15 | |
| SB18 / SF18 | 1 | DR1824 | 1 | DDF18 | |
| SB21 / SF21 | 1 | DR2124 | 1 | DDF21 | |
| SB24 / SF24 | 1 | DR2424 | 1 | DDF24 | |
| SB24 BUTT / SF24 BUTT | 2 | DR1224 BUTT | 1 | DDF24 | |
| SB27 BUTT / SF27 BUTT | 2 | DR1324 BUTT | 1 | DDF27 | |
| SB30 BUTT / SF30 BUTT | 2 | DR1524 BUTT | 1 | DDF30 | |
| SB33 BUTT / SF33 BUTT | 2 | DR1624 BUTT | 1 | DDF33 | |
| SB36 BUTT / SF36 BUTT | 2 | DR1824 BUTT | 1 | DDF36 | |
| SB39 / SF39 | 2 | DR1924 | 2 | DDF19 | |
| SB42 / SF42 | 2 | DR2124 | 2 | DDF21 | |
| SB45 / SF45 | 3 | DR1524 | 3 | DDF15 | |
| SB48 / SF48 | 2 | DR2424 | 2 | DDF24 | |
| SINK BASE WITH FACTORY INSTALLED TILT-OUT TRAY(S) | | | | | |
| SB21 STO | 1 | DR2124 | 1 | DDF21 DRILL | |
| SB24 STO | 1 | DR2424 | 1 | DDF24 DRILL | |
| SB24 BUTT STO | 2 | DR1224 BUTT | 1 | DDF24 DRILL | |
| SB27 BUTT STO | 2 | DR1324 BUTT | 1 | DDF27 DRILL | |
| SB30 BUTT STO | 2 | DR1524 BUTT | 1 | DDF30 DRILL | |
| SB33 BUTT STO | 2 | DR1624 BUTT | 1 | DDF33 DRILL | |
| SB36 BUTT STO | 2 | DR1824 BUTT | 1 | DDF36 DRILL | |
| SB39 STO | 2 | DR1924 | 2 | DDF19 DRILL | |
| SB42 STO | 2 | DR2124 | 2 | DDF21 DRILL | |
| SB48 STO | 2 | DR2424 | 2 | DDF24 DRILL | |
| SINK BASE MULTI-STORAGE CABINET | | | | | |
| SBMSC30 BUTT STO | 2 | DR1524 BUTT | 1 | DDF30 DRILL | |
| SBMSC36 BUTT STO | 2 | DR1824 BUTT | 1 | DDF36 DRILL | |
| BASE PLUMBING SKIRT | | | | | |
| BPS30 UD | - | - | 1 | DDFKDC33/27 | |
| BPS36 UD | - | - | 1 | DDFKDC36/33 | |
| BPS3034 UD | - | - | 1 | DDFKDC33/27 | |
| BPS3634 UD | - | - | 1 | DDFKDC36/33 | |
| ADAPTABLE SINK BASE KIT | | | | | |
| ASB3032 KIT | 2 | DR1521 BUTT | - | - | |
| ASB3632 KIT | 2 | DR1821 BUTT | - | - | |
| ASB3034 KIT | 2 | DR1524 BUTT | - | - | |
| ASB3634 KIT | 2 | DR1824 BUTT | - | - | |

PARTS DIRECTORY: Corner Base Cabinets

| SKU | Qty | DOOR | | ACCESSORY | |
|--------------------|-----|------------------|-----|----------------------|-----|
| | | Part Name | Qty | Part Name | Qty |
| CORNER BASE | | | | | |
| BER33 (L/R) | 1 | DR930 BER DRILL | - | - | - |
| | 1 | DR930 BER ND | - | - | - |
| BER3336L | 1 | DR930 BER DRILL | - | - | - |
| | 1 | DR1230 BER ND | - | - | - |
| BER3336R | 1 | DR930 BER ND | - | - | - |
| | 1 | DR1230 BER DRILL | - | - | - |
| BER36 (L/R) | 1 | DR1230 BER DRILL | - | - | - |
| | 1 | DR1230 BER ND | - | - | - |
| BER3633L | 1 | DR1230 BER DRILL | - | - | - |
| | 1 | DR930 BER ND | - | - | - |
| BER3633R | 1 | DR1230 BER ND | - | - | - |
| | 1 | DR930 BER DRILL | - | - | - |
| BSS33 (L/R) | 1 | DR930 BER DRILL | 1 | BSS33 UNIT RAS | - |
| | 1 | DR930 BER ND | - | - | - |
| BSS33 (L/R) WD | 1 | DR930 BER DRILL | 2 | BSS33 SHELF WD NP | - |
| | 1 | DR930 BER ND | - | - | - |
| BSS3336L | 1 | DR930 BER DRILL | 1 | BSS33 UNIT RAS | - |
| | 1 | DR1230 BER ND | - | - | - |
| BSS3336L WD | 1 | DR930 BER DRILL | 2 | BSS3336 SHELF WD NP | - |
| | 1 | DR1230 BER ND | - | - | - |
| BSS3336R | 1 | DR930 BER ND | 1 | BSS33 UNIT RAS | - |
| | 1 | DR1230 BER DRILL | - | - | - |
| BSS3336R WD | 1 | DR930 BER ND | 2 | BSS3336 SHELF WD NP | - |
| | 1 | DR1230 BER DRILL | - | - | - |
| BSS36 (L/R) | 1 | DR1230 BER DRILL | 1 | BSS36 UNIT RAS | - |
| | 1 | DR1230 BER ND | - | - | - |
| BSS36 (L/R) WD | 1 | DR1230 BER DRILL | 2 | BSS36 SHELF WD NP | - |
| | 1 | DR1230 BER ND | - | - | - |
| BSS3633L | 1 | DR1230 BER DRILL | 1 | BSS33 UNIT RAS | - |
| | 1 | DR930 BER ND | - | - | - |
| BSS3633L WD | 1 | DR1230 BER DRILL | 2 | BSS3633 SHELF WD NP | - |
| | 1 | DR930 BER ND | - | - | - |
| BSS3633R | 1 | DR1230 BER ND | 1 | BSS33 UNIT RAS | - |
| | 1 | DR930 BER DRILL | - | - | - |
| BSS3633R WD | 1 | DR1230 BER ND | 2 | BSS3633 SHELF WD NP | - |
| | 1 | DR930 BER DRILL | - | - | - |
| CAR36 (L/R) | 1 | DR1230 BER DRILL | 1 | CAR36 UNIT RAS | - |
| | 1 | DR1230 BER ND | - | - | - |
| CAR36 (L/R) WD | 1 | DR1230 BER DRILL | 2 | CAR36 SHELF WD | - |
| | 1 | DR1230 BER ND | 1 | BSSCWSCAR T-SHAFT FE | - |
| | 1 | | 1 | WOOD SPIN SHELF HDW | - |
| CBS36 | 1 | DRCBS36 | 1 | CBS36 UNIT RAS | - |
| CBS36 WD | 1 | DRCBS36 | 2 | CBS SHELF WD NP | - |

PARTS: BASE CABINETS

PARTS DIRECTORY: Utility Cabinets

| SKU | Qty | DOOR | SPECIALTY DOOR | DECORATIVE GLASS | Qty | ADJUSTABLE SHELF OR DROT |
|--|-----|-------------|--|------------------|-----|---|
| | | | Specialty doors require a specialty door selection | | | *For All Plywood Construction or Matching Interior Adjustable Shelf, upgrade through construction options |
| | | Part Name | Part Name | Part Name | | *Part Name |
| UTILITY WITH ADJUSTABLE SHELVES - 12" DEEP X 84" HIGH | | | | | | |
| UT1212 X 84 AS | 1 | DR1230 | DR1230 SD | DGI-1230 | 5 | S1212 |
| | 1 | DR1250 | | | | |
| UT1512 X 84 AS | 1 | DR1530 | DR1530 SD | DGI-1530 | 5 | S1512 |
| | 1 | DR1550 | | | | |
| UT1812 X 84 AS | 1 | DR1830 | DR1830 SD | DGI-1830 | 5 | S1812 |
| | 1 | DR1850 | | | | |
| UT2112 X 84 AS | 1 | DR2130 | DR2130 SD | DGI-2130 | 5 | S2112 |
| | 1 | DR2150 | | | | |
| UT2412 X 84 AS BUTT | 2 | DR1230 BUTT | DR1230 BUTT SD | DGI-1230 BUTT | 5 | S2412 |
| | 2 | DR1250 BUTT | | | | |
| UTILITY WITH ADJUSTABLE SHELVES - 12" DEEP X 90" HIGH | | | | | | |
| UT1212 X 90 AS | 1 | DR1236 | DR1236 SD | DGI-1236 | 6 | S1212 |
| | 1 | DR1250 | | | | |
| UT1512 X 90 AS | 1 | DR1536 | DR1536 SD | DGI-1536 | 6 | S1512 |
| | 1 | DR1550 | | | | |
| UT1812 X 90 AS | 1 | DR1836 | DR1836 SD | DGI-1836 | 6 | S1812 |
| | 1 | DR1850 | | | | |
| UT2112 X 90 AS | 1 | DR2136 | DR2136 SD | DGI-2136 | 6 | S2112 |
| | 1 | DR2150 | | | | |
| UT2412 X 90 AS BUTT | 2 | DR1236 BUTT | DR1236 BUTT SD | DGI-1236 BUTT | 6 | S2412 |
| | 2 | DR1250 BUTT | | | | |
| UTILITY WITH ADJUSTABLE SHELVES - 12" DEEP X 93" HIGH | | | | | | |
| UT1212 X 93 AS | 1 | DR1239 | DR1239 SD | DGI-1239 | 7 | S1212 |
| | 1 | DR1250 | | | | |
| UT1512 X 93 AS | 1 | DR1539 | DR1539 SD | DGI-1539 | 7 | S1512 |
| | 1 | DR1550 | | | | |
| UT1812 X 93 AS | 1 | DR1839 | DR1839 SD | DGI-1839 | 7 | S1812 |
| | 1 | DR1850 | | | | |
| UT2112 X 93 AS | 1 | DR2139 | DR2139 SD | DGI-2139 | 7 | S2112 |
| | 1 | DR2150 | | | | |
| UT2412 X 93 AS BUTT | 2 | DR1239 BUTT | DR1239 BUTT SD | DGI-1239 BUTT | 7 | S2412 |
| | 2 | DR1250 BUTT | | | | |
| UTILITY WITH ADJUSTABLE SHELVES - 12" DEEP X 96" HIGH | | | | | | |
| UT1212 X 96 AS | 1 | DR1242 | DR1242 SD | DGI-1242 | 7 | S1212 |
| | 1 | DR1250 | | | | |
| UT1512 X 96 AS | 1 | DR1542 | DR1542 SD | DGI-1542 | 7 | S1512 |
| | 1 | DR1550 | | | | |
| UT1812 X 96 AS | 1 | DR1842 | DR1842 SD | DGI-1842 | 7 | S1812 |
| | 1 | DR1850 | | | | |
| UT2112 X 96 AS | 1 | DR2142 | DR2142 SD | DGI-2142 | 7 | S2112 |
| | 1 | DR2150 | | | | |
| UT2412 X 96 AS BUTT | 2 | DR1242 BUTT | DR1242 BUTT SD | DGI-1242 BUTT | 7 | S2412 |
| | 2 | DR1250 BUTT | | | | |

PARTS DIRECTORY: Utility Cabinets

| SKU | Qty | DOOR | SPECIALTY DOOR | DECORATIVE GLASS | Qty | ADJUSTABLE SHELF OR DROT |
|--|-----|-------------|--|------------------|-----|---|
| | | | Specialty doors require a specialty door selection | | | *For All Plywood Construction or Matching Interior Adjustable Shelf, upgrade through construction options |
| | | Part Name | Part Name | Part Name | | *Part Name |
| UTILITY WITH ADJUSTABLE SHELVES • 24" DEEP X 84" HIGH | | | | | | |
| UT1224 X 84 AS | 1 | DR1230 | DR1230 SD | DGI-1230 | 5 | S1224 |
| | 1 | DR1250 | | | | |
| UT1524 X 84 AS | 1 | DR1530 | DR1530 SD | DGI-1530 | 5 | S1524 |
| | 1 | DR1550 | | | | |
| UT1824 X 84 AS | 1 | DR1830 | DR1830 SD | DGI-1830 | 5 | S1824 |
| | 1 | DR1850 | | | | |
| UT2124 X 84 AS | 1 | DR2130 | DR2130 SD | DGI-2130 | 5 | S2124 |
| | 1 | DR2150 | | | | |
| UT2424 X 84 AS BUTT | 2 | DR1230 BUTT | DR1230 BUTT SD | DGI-1230 BUTT | 5 | S2424 |
| | 2 | DR1250 BUTT | | | | |
| UT2724 X 84 AS BUTT | 2 | DR1330 BUTT | DR1330 BUTT SD | DGI-1330 BUTT | 5 | S2724 |
| | 2 | DR1350 BUTT | | | | |
| UT3024 X 84 AS BUTT | 2 | DR1530 BUTT | DR1530 BUTT SD | DGI-1530 BUTT | 5 | S3024 |
| | 2 | DR1550 BUTT | | | | |
| UT3324 X 84 AS BUTT | 2 | DR1630 BUTT | DR1630 BUTT SD | DGI-1630 BUTT | 5 | S3324 |
| | 2 | DR1650 BUTT | | | | |
| UT3624 X 84 AS BUTT | 2 | DR1830 BUTT | DR1830 BUTT SD | DGI-1830 BUTT | 5 | S3624 |
| | 2 | DR1850 BUTT | | | | |
| UTILITY WITH ADJUSTABLE SHELVES • 24" DEEP X 90" HIGH | | | | | | |
| UT1224 X 90 AS | 1 | DR1236 | DR1236 SD | DGI-1236 | 6 | S1224 |
| | 1 | DR1250 | | | | |
| UT1524 X 90 AS | 1 | DR1536 | DR1536 SD | DGI-1536 | 6 | S1524 |
| | 1 | DR1550 | | | | |
| UT1824 X 90 AS | 1 | DR1836 | DR1836 SD | DGI-1836 | 6 | S1824 |
| | 1 | DR1850 | | | | |
| UT2124 X 90 AS | 1 | DR2136 | DR2136 SD | DGI-2136 | 6 | S2124 |
| | 1 | DR2150 | | | | |
| UT2424 X 90 AS BUTT | 2 | DR1236 BUTT | DR1236 BUTT SD | DGI-1236 BUTT | 6 | S2424 |
| | 2 | DR1250 BUTT | | | | |
| UT2724 X 90 AS BUTT | 2 | DR1336 BUTT | DR1336 BUTT SD | DGI-1336 BUTT | 6 | S2724 |
| | 2 | DR1350 BUTT | | | | |
| UT3024 X 90 AS BUTT | 2 | DR1536 BUTT | DR1536 BUTT SD | DGI-1536 BUTT | 6 | S3024 |
| | 2 | DR1550 BUTT | | | | |
| UT3324 X 90 AS BUTT | 2 | DR1636 BUTT | DR1636 BUTT SD | DGI-1636 BUTT | 6 | S3324 |
| | 2 | DR1650 BUTT | | | | |
| UT3624 X 90 AS BUTT | 2 | DR1836 BUTT | DR1836 BUTT SD | DGI-1836 BUTT | 6 | S3624 |
| | 2 | DR1850 BUTT | | | | |

PARTS: TALL CABINETS

PARTS DIRECTORY: Utility Cabinets

| SKU | Qty | DOOR | SPECIALTY DOOR | DECORATIVE GLASS | Qty | ADJUSTABLE SHELF OR DROT |
|--|-----|-------------|--|------------------|-----|---|
| | | | Specialty doors require a specialty door selection | | | *For All Plywood Construction or Matching Interior Adjustable Shelf, upgrade through construction options |
| | | Part Name | Part Name | Part Name | | *Part Name |
| UTILITY WITH ADJUSTABLE SHELVES - 24" DEEP X 93" HIGH | | | | | | |
| UT1224 X 93 AS | 1 | DR1239 | DR1239 SD | DGI-1239 | 7 | S1224 |
| | 1 | DR1250 | | | | |
| UT1524 X 93 AS | 1 | DR1539 | DR1539 SD | DGI-1539 | 7 | S1524 |
| | 1 | DR1550 | | | | |
| UT1824 X 93 AS | 1 | DR1839 | DR1839 SD | DGI-1839 | 7 | S1824 |
| | 1 | DR1850 | | | | |
| UT2124 X 93 AS | 1 | DR2139 | DR2139 SD | DGI-2139 | 7 | S2124 |
| | 1 | DR2150 | | | | |
| UT2424 X 93 AS BUTT | 2 | DR1239 BUTT | DR1239 BUTT SD | DGI-1239 BUTT | 7 | S2424 |
| | 2 | DR1250 BUTT | | | | |
| UT2724 X 93 AS BUTT | 2 | DR1339 BUTT | DR1339 BUTT SD | DGI-1339 BUTT | 7 | S2724 |
| | 2 | DR1350 BUTT | | | | |
| UT3024 X 93 AS BUTT | 2 | DR1539 BUTT | DR1539 BUTT SD | DGI-1539 BUTT | 7 | S3024 |
| | 2 | DR1550 BUTT | | | | |
| UT3324 X 93 AS BUTT | 2 | DR1639 BUTT | DR1639 BUTT SD | DGI-1639 BUTT | 7 | S3324 |
| | 2 | DR1650 BUTT | | | | |
| UT3624 X 93 AS BUTT | 2 | DR1839 BUTT | DR1839 BUTT SD | DGI-1839 BUTT | 7 | S3624 |
| | 2 | DR1850 BUTT | | | | |
| UTILITY WITH ADJUSTABLE SHELVES - 24" DEEP X 96" HIGH | | | | | | |
| UT1224 X 96 AS | 1 | DR1242 | DR1242 SD | DGI-1242 | 7 | S1224 |
| | 1 | DR1250 | | | | |
| UT1524 X 96 AS | 1 | DR1542 | DR1542 SD | DGI-1542 | 7 | S1524 |
| | 1 | DR1550 | | | | |
| UT1824 X 96 AS | 1 | DR1842 | DR1842 SD | DGI-1842 | 7 | S1824 |
| | 1 | DR1850 | | | | |
| UT2124 X 96 AS | 1 | DR2142 | DR2142 SD | DGI-2142 | 7 | S2124 |
| | 1 | DR2150 | | | | |
| UT2424 X 96 AS BUTT | 2 | DR1242 BUTT | DR1242 BUTT SD | DGI-1242 BUTT | 7 | S2424 |
| | 2 | DR1250 BUTT | | | | |
| UT2724 X 96 AS BUTT | 2 | DR1342 BUTT | DR1342 BUTT SD | DGI-1342 BUTT | 7 | S2724 |
| | 2 | DR1350 BUTT | | | | |
| UT3024 X 96 AS BUTT | 2 | DR1542 BUTT | DR1542 BUTT SD | DGI-1542 BUTT | 7 | S3024 |
| | 2 | DR1550 BUTT | | | | |
| UT3324 X 96 AS BUTT | 2 | DR1642 BUTT | DR1642 BUTT SD | DGI-1642 BUTT | 7 | S3324 |
| | 2 | DR1650 BUTT | | | | |
| UT3624 X 96 AS BUTT | 2 | DR1842 BUTT | DR1842 BUTT SD | DGI-1842 BUTT | 7 | S3624 |
| | 2 | DR1850 BUTT | | | | |

PARTS DIRECTORY: Utility Cabinets

PARTS: TALL CABINETS

| SKU | Qty | DOOR | SPECIALTY DOOR | DECORATIVE GLASS | Qty | ADJUSTABLE SHELF OR DROT |
|--|-----|-------------|--|------------------|-----|---|
| | | | Specialty doors require a specialty door selection | | | *For All Plywood Construction or Matching Interior Adjustable Shelf, upgrade through construction options |
| | | Part Name | Part Name | Part Name | | *Part Name |
| UTILITY WITH DEEP ROLL OUT TRAYS - 84" HIGH | | | | | | |
| UT1224 X 84 4ROT | 1 | DR1230 | DR1230 SD | DGI-1230 | 1 | S1224 |
| | 1 | DR1250 | | | 4 | DROT12 |
| UT1524 X 84 4ROT | 1 | DR1530 | DR1530 SD | DGI-1530 | 1 | S1524 |
| | 1 | DR1550 | | | 4 | DROT15 |
| UT1824 X 84 4ROT | 1 | DR1830 | DR1830 SD | DGI-1830 | 1 | S1824 |
| | 1 | DR1850 | | | 4 | DROT18 |
| UT2124 X 84 4ROT | 1 | DR2130 | DR2130 SD | DGI-2130 | 1 | S2124 |
| | 1 | DR2150 | | | 4 | DROT21 |
| UT2424 X 84 4ROT BUTT | 2 | DR1230 BUTT | DR1230 BUTT SD | DGI-1230 BUTT | 1 | S2424 |
| | 2 | DR1250 BUTT | | | 4 | DROT24 |
| UT2724 X 84 4ROT BUTT | 2 | DR1330 BUTT | DR1330 BUTT SD | DGI-1330 BUTT | 1 | S2724 |
| | 2 | DR1350 BUTT | | | 4 | DROT27 |
| UT3024 X 84 4ROT BUTT | 2 | DR1530 BUTT | DR1530 BUTT SD | DGI-1530 BUTT | 1 | S3024 |
| | 2 | DR1550 BUTT | | | 4 | DROT30 |
| UT3324 X 84 4ROT BUTT | 2 | DR1630 BUTT | DR1630 BUTT SD | DGI-1630 BUTT | 1 | S3324 |
| | 2 | DR1650 BUTT | | | 4 | DROT33 |
| UT3624 X 84 4ROT BUTT | 2 | DR1830 BUTT | DR1830 BUTT SD | DGI-1830 BUTT | 1 | S3624 |
| | 2 | DR1850 BUTT | | | 4 | DROT36 |
| UTILITY WITH DEEP ROLL OUT TRAYS - 90" HIGH | | | | | | |
| UT1224 X 90 4ROT | 1 | DR1236 | DR1236 SD | DGI-1236 | 2 | S1224 |
| | 1 | DR1250 | | | 4 | DROT12 |
| UT1524 X 90 4ROT | 1 | DR1536 | DR1536 SD | DGI-1536 | 2 | S1524 |
| | 1 | DR1550 | | | 4 | DROT15 |
| UT1824 X 90 4ROT | 1 | DR1836 | DR1836 SD | DGI-1836 | 2 | S1824 |
| | 1 | DR1850 | | | 4 | DROT18 |
| UT2124 X 90 4ROT | 1 | DR2136 | DR2136 SD | DGI-2136 | 2 | S2124 |
| | 1 | DR2150 | | | 4 | DROT21 |
| UT2424 X 90 4ROT BUTT | 2 | DR1236 BUTT | DR1236 BUTT SD | DGI-1236 BUTT | 2 | S2424 |
| | 2 | DR1250 BUTT | | | 4 | DROT24 |
| UT2724 X 90 4ROT BUTT | 2 | DR1336 BUTT | DR1336 BUTT SD | DGI-1336 BUTT | 2 | S2724 |
| | 2 | DR1350 BUTT | | | 4 | DROT27 |
| UT3024 X 90 4ROT BUTT | 2 | DR1536 BUTT | DR1536 BUTT SD | DGI-1536 BUTT | 2 | S3024 |
| | 2 | DR1550 BUTT | | | 4 | DROT30 |
| UT3324 X 90 4ROT BUTT | 2 | DR1636 BUTT | DR1636 BUTT SD | DGI-1636 BUTT | 2 | S3324 |
| | 2 | DR1650 BUTT | | | 4 | DROT33 |
| UT3624 X 90 4ROT BUTT | 2 | DR1836 BUTT | DR1836 BUTT SD | DGI-1836 BUTT | 2 | S3624 |
| | 2 | DR1850 BUTT | | | 4 | DROT36 |

PARTS DIRECTORY: Utility Cabinets

| SKU | Qty | DOOR | SPECIALTY DOOR | DECORATIVE GLASS | Qty | ADJUSTABLE SHELF OR DROT |
|--|-----|-------------|--|------------------|-----|---|
| | | | Specialty doors require a specialty door selection | | | *For All Plywood Construction or Matching Interior Adjustable Shelf, upgrade through construction options |
| | | Part Name | Part Name | Part Name | | *Part Name |
| UTILITY WITH DEEP ROLL OUT TRAYS - 93" HIGH | | | | | | |
| UT1224 X 93 4ROT | 1 | DR1239 | DR1239 SD | DGI-1239 | 3 | S1224 |
| | 1 | DR1250 | | | 4 | DROT12 |
| UT1524 X 93 4ROT | 1 | DR1539 | DR1539 SD | DGI-1539 | 3 | S1524 |
| | 1 | DR1550 | | | 4 | DROT15 |
| UT1824 X 93 4ROT | 1 | DR1839 | DR1839 SD | DGI-1839 | 3 | S1824 |
| | 1 | DR1850 | | | 4 | DROT18 |
| UT2124 X 93 4ROT | 1 | DR2139 | DR2139 SD | DGI-2139 | 3 | S2124 |
| | 1 | DR2150 | | | 4 | DROT21 |
| UT2424 X 93 4ROT BUTT | 2 | DR1239 BUTT | DR1239 BUTT SD | DGI-1239 BUTT | 3 | S2424 |
| | 2 | DR1250 BUTT | | | 4 | DROT24 |
| UT2724 X 93 4ROT BUTT | 2 | DR1339 BUTT | DR1339 BUTT SD | DGI-1339 BUTT | 3 | S2724 |
| | 2 | DR1350 BUTT | | | 4 | DROT27 |
| UT3024 X 93 4ROT BUTT | 2 | DR1539 BUTT | DR1539 BUTT SD | DGI-1539 BUTT | 3 | S3024 |
| | 2 | DR1550 BUTT | | | 4 | DROT30 |
| UT3324 X 93 4ROT BUTT | 2 | DR1639 BUTT | DR1639 BUTT SD | DGI-1639 BUTT | 3 | S3324 |
| | 2 | DR1650 BUTT | | | 4 | DROT33 |
| UT3624 X 93 4ROT BUTT | 2 | DR1839 BUTT | DR1839 BUTT SD | DGI-1839 BUTT | 3 | S3624 |
| | 2 | DR1850 BUTT | | | 4 | DROT36 |
| UTILITY WITH DEEP ROLL OUT TRAYS - 96" HIGH | | | | | | |
| UT1224 X 96 4ROT | 1 | DR1242 | DR1242 SD | DGI-1242 | 3 | S1224 |
| | 1 | DR1250 | | | 4 | DROT12 |
| UT1524 X 96 4ROT | 1 | DR1542 | DR1542 SD | DGI-1542 | 3 | S1524 |
| | 1 | DR1550 | | | 4 | DROT15 |
| UT1824 X 96 4ROT | 1 | DR1842 | DR1842 SD | DGI-1842 | 3 | S1824 |
| | 1 | DR1850 | | | 4 | DROT18 |
| UT2124 X 96 4ROT | 1 | DR2142 | DR2142 SD | DGI-2142 | 3 | S2124 |
| | 1 | DR2150 | | | 4 | DROT21 |
| UT2424 X 96 4ROT BUTT | 2 | DR1242 BUTT | DR1242 BUTT SD | DGI-1242 BUTT | 3 | S2424 |
| | 2 | DR1250 BUTT | | | 4 | DROT24 |
| UT2724 X 96 4ROT BUTT | 2 | DR1342 BUTT | DR1342 BUTT SD | DGI-1342 BUTT | 3 | S2724 |
| | 2 | DR1350 BUTT | | | 4 | DROT27 |
| UT3024 X 96 4ROT BUTT | 2 | DR1542 BUTT | DR1542 BUTT SD | DGI-1542 BUTT | 3 | S3024 |
| | 2 | DR1550 BUTT | | | 4 | DROT30 |
| UT3324 X 96 4ROT BUTT | 2 | DR1642 BUTT | DR1642 BUTT SD | DGI-1642 BUTT | 3 | S3324 |
| | 2 | DR1650 BUTT | | | 4 | DROT33 |
| UT3624 X 96 4ROT BUTT | 2 | DR1842 BUTT | DR1842 BUTT SD | DGI-1842 BUTT | 3 | S3624 |
| | 2 | DR1850 BUTT | | | 4 | DROT36 |
| UTILITY WITH PANTRY STORAGE - 24" DEEP X 84" HIGH | | | | | | |
| UT3624 X 84 PCDS BUTT | 2 | DR1830 BUTT | DR1830 BUTT SD | DGI-1830 BUTT | 1 | S3624 |
| | 2 | DR1850 BUTT | | | 1 | PCKS36 |
| | | | | | 2 | PDSK18 |
| | | | | | 1 | PSK36 |
| UTILITY WITH PANTRY STORAGE - 24" DEEP X 90" HIGH | | | | | | |
| UT3624 X 90 PCDS BUTT | 2 | DR1836 BUTT | DR1836 BUTT SD | DGI-1836 BUTT | 2 | S3624 |
| | 2 | DR1850 BUTT | | | 1 | PCKS36 |
| | | | | | 2 | PDSK18 |
| | | | | | 1 | PSK36 |
| UTILITY WITH PANTRY STORAGE - 24" DEEP X 93" HIGH | | | | | | |
| UT3624 X 93 PCDS BUTT | 2 | DR1839 BUTT | DR1839 BUTT SD | DGI-1839 BUTT | 3 | S3624 |
| | 2 | DR1850 BUTT | | | 1 | PCKS36 |
| | | | | | 2 | PDSK18 |
| | | | | | 1 | PSK36 |
| UTILITY WITH PANTRY STORAGE - 24" DEEP X 96" HIGH | | | | | | |
| UT3624 X 96 PCDS BUTT | 2 | DR1842 BUTT | DR1842 BUTT SD | DGI-1842 BUTT | 3 | S3624 |
| | 2 | DR1850 BUTT | | | 1 | PCKS36 |
| | | | | | 2 | PDSK18 |
| | | | | | 1 | PSK36 |

PARTS DIRECTORY: Single Oven Cabinets

PARTS: TALL CABINETS

| SKU | DOOR | | ADJUSTABLE SHELF/ACCESSORY | | DRAWER FRONT | | DRAWER BODY | |
|---|------|--------------|----------------------------|------------|--------------|--------------|-----------------|---------------------|
| | Qty | Part Name | Qty | *Part Name | Qty | Full Overlay | Partial Overlay | |
| | | | | | | Part Name | Part Name | |
| DOUBLE OVEN CABINETS WITH 2 BUTT DOORS, 1 DRAWER · 84" HIGH | | | | | | | | |
| OVD2784 BUTT | 2 | DRI1318 BUTT | - | - | 1 | DDFOV27 | DDF27 | DRB24 X 21DP DT FD |
| OVD3084 BUTT | 2 | DRI1518 BUTT | - | - | 1 | DDFOV30 | DDF30 | DRB27 X 21DP DT FD |
| OVD3384 BUTT | 2 | DRI1618 BUTT | - | - | 1 | DDFOV33 | DDF33 | DRB30 X 21DP DT FD |
| DOUBLE OVEN CABINETS WITH 2 BUTT DOORS, 1 DRAWER · 90" HIGH | | | | | | | | |
| OVD2790 AS BUTT | 2 | DRI1324 BUTT | 1 | S2724 | 1 | DDFOV27 | DDF27 | DRB24 X 21DP DT FD |
| OVD3090 AS BUTT | 2 | DRI1524 BUTT | 1 | S3024 | 1 | DDFOV30 | DDF30 | DRB27 X 21DP DT FD |
| OVD3390 AS BUTT | 2 | DRI1624 BUTT | 1 | S3324 | 1 | DDFOV33 | DDF33 | DRB30 X 21DP DT FD |
| DOUBLE OVEN CABINETS WITH 2 BUTT DOORS, 1 DRAWER · 93" HIGH | | | | | | | | |
| OVD2793 AS BUTT | 2 | DRI1327 BUTT | 2 | S2724 | 1 | DDFOV27 | DDF27 | DRB24 X 21DP DT FD |
| OVD3093 AS BUTT | 2 | DRI1527 BUTT | 2 | S3024 | 1 | DDFOV30 | DDF30 | DRB27 X 21DP DT FD |
| OVD3393 AS BUTT | 2 | DRI1627 BUTT | 2 | S3324 | 1 | DDFOV33 | DDF33 | DRB30 X 21DP DT FD |
| DOUBLE OVEN CABINETS WITH 2 BUTT DOORS, 1 DRAWER · 96" HIGH | | | | | | | | |
| OVD2796 AS BUTT | 2 | DRI1330 BUTT | 2 | S2724 | 1 | DDFOV27 | DDF27 | DRB24 X 21DP DT FD |
| OVD3096 AS BUTT | 2 | DRI1530 BUTT | 2 | S3024 | 1 | DDFOV30 | DDF30 | DRB27 X 21DP DT FD |
| OVD3396 AS BUTT | 2 | DRI1630 BUTT | 2 | S3324 | 1 | DDFOV33 | DDF33 | DRB30 X 21DP DT FD |
| DOUBLE OVEN CABINETS WITH 2 BUTT DOORS AND 1 LARGE DRAWER · 84" HIGH | | | | | | | | |
| OVD2784 BUTT 1DDWR | 2 | DRI1318 BUTT | - | - | 1 | DDF27M | DDF27D | DRB24M X 21DP DT FD |
| OVD3084 BUTT 1DDWR | 2 | DRI1518 BUTT | - | - | 1 | DDF30M | DDF30D | DRB27M X 21DP DT FD |
| OVD3384 BUTT 1DDWR | 2 | DRI1618 BUTT | - | - | 1 | DDF33M | DDF33D | DRB30M X 21DP DT FD |
| DOUBLE OVEN CABINETS WITH 2 BUTT DOORS AND 1 LARGE DRAWER · 90" HIGH | | | | | | | | |
| OVD2790 AS BUTT 1DDWR | 2 | DRI1324 BUTT | 1 | S2724 | 1 | DDF27M | DDF27D | DRB24M X 21DP DT FD |
| OVD3090 AS BUTT 1DDWR | 2 | DRI1524 BUTT | 1 | S3024 | 1 | DDF30M | DDF30D | DRB27M X 21DP DT FD |
| OVD3390 AS BUTT 1DDWR | 2 | DRI1624 BUTT | 1 | S3324 | 1 | DDF33M | DDF33D | DRB30M X 21DP DT FD |
| DOUBLE OVEN CABINETS WITH 2 BUTT DOORS AND 1 LARGE DRAWER · 93" HIGH | | | | | | | | |
| OVD2793 AS BUTT 1DDWR | 2 | DRI1327 BUTT | 2 | S2724 | 1 | DDF27M | DDF27D | DRB24M X 21DP DT FD |
| OVD3093 AS BUTT 1DDWR | 2 | DRI1527 BUTT | 2 | S3024 | 1 | DDF30M | DDF30D | DRB27M X 21DP DT FD |
| OVD3393 AS BUTT 1DDWR | 2 | DRI1627 BUTT | 2 | S3324 | 1 | DDF33M | DDF33D | DRB30M X 21DP DT FD |
| DOUBLE OVEN CABINETS WITH 2 BUTT DOORS AND 1 LARGE DRAWER · 96" HIGH | | | | | | | | |
| OVD2796 AS BUTT 1DDWR | 2 | DRI1330 BUTT | 2 | S2724 | 1 | DDF27M | DDF27D | DRB24M X 21DP DT FD |
| OVD3096 AS BUTT 1DDWR | 2 | DRI1530 BUTT | 2 | S3024 | 1 | DDF30M | DDF30D | DRB27M X 21DP DT FD |
| OVD3396 AS BUTT 1DDWR | 2 | DRI1630 BUTT | 2 | S3324 | 1 | DDF33M | DDF33D | DRB30M X 21DP DT FD |
| DOUBLE OVEN CABINETS WITH 2 BUTT DOORS AND 2 DRAWERS · 84" HIGH | | | | | | | | |
| OVD2784 BUTT 2DWR | 2 | DRI1318 BUTT | - | - | 2 | DDF27 | DDF27 | DRB24 X 21DP DT FD |
| OVD3084 BUTT 2DWR | 2 | DRI1518 BUTT | - | - | 2 | DDF30 | DDF30 | DRB27 X 21DP DT FD |
| OVD3384 BUTT 2DWR | 2 | DRI1618 BUTT | - | - | 2 | DDF33 | DDF33 | DRB30 X 21DP DT FD |
| DOUBLE OVEN CABINETS WITH 2 BUTT DOORS AND 2 DRAWERS · 90" HIGH | | | | | | | | |
| OVD2790 AS BUTT 2DWR | 2 | DRI1324 BUTT | 1 | S2724 | 2 | DDF27 | DDF27 | DRB24 X 21DP DT FD |
| OVD3090 AS BUTT 2DWR | 2 | DRI1524 BUTT | 1 | S3024 | 2 | DDF30 | DDF30 | DRB27 X 21DP DT FD |
| OVD3390 AS BUTT 2DWR | 2 | DRI1624 BUTT | 1 | S3324 | 2 | DDF33 | DDF33 | DRB30 X 21DP DT FD |
| DOUBLE OVEN CABINETS WITH 2 BUTT DOORS AND 2 DRAWERS · 93" HIGH | | | | | | | | |
| OVD2793 AS BUTT 2DWR | 2 | DRI1327 BUTT | 2 | S2724 | 2 | DDF27 | DDF27 | DRB24 X 21DP DT FD |
| OVD3093 AS BUTT 2DWR | 2 | DRI1527 BUTT | 2 | S3024 | 2 | DDF30 | DDF30 | DRB27 X 21DP DT FD |
| OVD3393 AS BUTT 2DWR | 2 | DRI1627 BUTT | 2 | S3324 | 2 | DDF33 | DDF33 | DRB30 X 21DP DT FD |
| DOUBLE OVEN CABINETS WITH 2 BUTT DOORS AND 2 DRAWERS · 96" HIGH | | | | | | | | |
| OVD2796 AS BUTT 2DWR | 2 | DRI1330 BUTT | 2 | S2724 | 2 | DDF27 | DDF27 | DRB24 X 21DP DT FD |
| OVD3096 AS BUTT 2DWR | 2 | DRI1530 BUTT | 2 | S3024 | 2 | DDF30 | DDF30 | DRB27 X 21DP DT FD |
| OVD3396 AS BUTT 2DWR | 2 | DRI1630 BUTT | 2 | S3324 | 2 | DDF33 | DDF33 | DRB30 X 21DP DT FD |

PARTS DIRECTORY: Single Oven Cabinets

| SKU | Qty | DOOR | | ADJUSTABLE SHELF/ACCESSORY | | DRAWER FRONT | | DRAWER BODY |
|--|-----|-------------|-----|----------------------------|-----|--------------|-----------------|---------------------|
| | | Part Name | Qty | *Part Name | Qty | Full Overlay | Partial Overlay | Part Name |
| | | | | | | Part Name | Part Name | |
| SINGLE OVEN CABINETS WITH 2 BUTT DOORS AND 4 DRAWERS - 84" HIGH | | | | | | | | |
| OVS2784 BUTT 4DWR | 2 | DRI318 BUTT | - | - | 2 | DDF27 | DDF27 | DRB24 X 21DP DT FD |
| | | | | | 2 | DDF27M | DDF27D | DRB24M X 21DP DT FD |
| OVS3084 BUTT 4DWR | 2 | DRI518 BUTT | - | - | 2 | DDF30 | DDF30 | DRB27 X 21DP DT FD |
| | | | | | 2 | DDF30M | DDF30D | DRB27M X 21DP DT FD |
| OVS3384 BUTT 4DWR | 2 | DRI618 BUTT | - | - | 2 | DDF33 | DDF33 | DRB30 X 21DP DT FD |
| | | | | | 2 | DDF33M | DDF33D | DRB30M X 21DP DT FD |
| SINGLE OVEN CABINETS WITH 2 BUTT DOORS AND 4 DRAWERS - 90" HIGH | | | | | | | | |
| OVS2790 AS BUTT 4DWR | 2 | DRI324 BUTT | 1 | S2724 | 2 | DDF27 | DDF27 | DRB24 X 21DP DT FD |
| | | | | | 2 | DDF27M | DDF27D | DRB24M X 21DP DT FD |
| OVS3090 AS BUTT 4DWR | 2 | DRI524 BUTT | 1 | S3024 | 2 | DDF30 | DDF30 | DRB27 X 21DP DT FD |
| | | | | | 2 | DDF30M | DDF30D | DRB27M X 21DP DT FD |
| OVS3390 AS BUTT 4DWR | 2 | DRI624 BUTT | 1 | S3324 | 2 | DDF33 | DDF33 | DRB30 X 21DP DT FD |
| | | | | | 2 | DDF33M | DDF33D | DRB30M X 21DP DT FD |
| SINGLE OVEN CABINETS WITH 2 BUTT DOORS AND 4 DRAWERS - 93" HIGH | | | | | | | | |
| OVS2793 AS BUTT 4DWR | 2 | DRI327 BUTT | 2 | S2724 | 2 | DDF27 | DDF27 | DRB24 X 21DP DT FD |
| | | | | | 2 | DDF27M | DDF27D | DRB24M X 21DP DT FD |
| OVS3093 AS BUTT 4DWR | 2 | DRI527 BUTT | 2 | S3024 | 2 | DDF30 | DDF30 | DRB27 X 21DP DT FD |
| | | | | | 2 | DDF30M | DDF30D | DRB27M X 21DP DT FD |
| OVS3393 AS BUTT 4DWR | 2 | DRI627 BUTT | 2 | S3324 | 2 | DDF33 | DDF33 | DRB30 X 21DP DT FD |
| | | | | | 2 | DDF33M | DDF33D | DRB30M X 21DP DT FD |
| SINGLE OVEN CABINETS WITH 2 BUTT DOORS AND 4 DRAWERS - 96" HIGH | | | | | | | | |
| OVS2796 AS BUTT 4DWR | 2 | DRI330 BUTT | 2 | S2724 | 2 | DDF27 | DDF27 | DRB24 X 21DP DT FD |
| | | | | | 2 | DDF27M | DDF27D | DRB24M X 21DP DT FD |
| OVS3096 AS BUTT 4DWR | 2 | DRI530 BUTT | 2 | S3024 | 2 | DDF30 | DDF30 | DRB27 X 21DP DT FD |
| | | | | | 2 | DDF30M | DDF30D | DRB27M X 21DP DT FD |
| OVS3396 AS BUTT 4DWR | 2 | DRI630 BUTT | 2 | S3324 | 2 | DDF33 | DDF33 | DRB30 X 21DP DT FD |
| | | | | | 2 | DDF33M | DDF33D | DRB30M X 21DP DT FD |
| SINGLE OVEN CABINETS WITH 4 BUTT DOORS AND 1 DRAWER - 84" HIGH | | | | | | | | |
| OVS2784 BUTT 1DWR | 2 | DRI318 BUTT | - | - | 1 | DDF27 | DDF27 | DRB24 X 21DP DT FD |
| | 2 | DRI324 BUTT | | | | | | |
| OVS3084 BUTT 1DWR | 2 | DRI518 BUTT | - | - | 1 | DDF30 | DDF30 | DRB27 X 21DP DT FD |
| | 2 | DRI524 BUTT | | | | | | |
| OVS3384 BUTT 1DWR | 2 | DRI618 BUTT | - | - | 1 | DDF33 | DDF33 | DRB30 X 21DP DT FD |
| | 2 | DRI624 BUTT | | | | | | |
| SINGLE OVEN CABINETS WITH 4 BUTT DOORS AND 1 DRAWER - 90" HIGH | | | | | | | | |
| OVS2790 AS BUTT 1DWR | 4 | DRI324 BUTT | 1 | S2724 | 1 | DDF27 | DDF27 | DRB24 X 21DP DT FD |
| OVS3090 AS BUTT 1DWR | 4 | DRI524 BUTT | 1 | S3024 | 1 | DDF30 | DDF30 | DRB27 X 21DP DT FD |
| OVS3390 AS BUTT 1DWR | 4 | DRI624 BUTT | 1 | S3324 | 1 | DDF33 | DDF33 | DRB30 X 21DP DT FD |
| SINGLE OVEN CABINETS WITH 4 BUTT DOORS AND 1 DRAWER - 93" HIGH | | | | | | | | |
| OVS2793 AS BUTT 1DWR | 2 | DRI327 BUTT | 2 | S2724 | 1 | DDF27 | DDF27 | DRB24 X 21DP DT FD |
| | 2 | DRI324 BUTT | | | | | | |
| OVS3093 AS BUTT 1DWR | 2 | DRI527 BUTT | 2 | S3024 | 1 | DDF30 | DDF30 | DRB27 X 21DP DT FD |
| | 2 | DRI524 BUTT | | | | | | |
| OVS3393 AS BUTT 1DWR | 2 | DRI627 BUTT | 2 | S3324 | 1 | DDF33 | DDF33 | DRB30 X 21DP DT FD |
| | 2 | DRI624 BUTT | | | | | | |
| SINGLE OVEN CABINETS WITH 4 BUTT DOORS AND 1 DRAWER - 96" HIGH | | | | | | | | |
| OVS2796 AS BUTT 1DWR | 2 | DRI330 BUTT | 2 | S2724 | 1 | DDF27 | DDF27 | DRB24 X 21DP DT FD |
| | 2 | DRI324 BUTT | | | | | | |
| OVS3096 AS BUTT 1DWR | 2 | DRI530 BUTT | 2 | S3024 | 1 | DDF30 | DDF30 | DRB27 X 21DP DT FD |
| | 2 | DRI524 BUTT | | | | | | |
| OVS3396 AS BUTT 1DWR | 2 | DRI630 BUTT | 2 | S3324 | 1 | DDF33 | DDF33 | DRB30 X 21DP DT FD |
| | 2 | DRI624 BUTT | | | | | | |

PARTS DIRECTORY: Single Oven Cabinets

PARTS: TALL CABINETS

| SKU | Qty | DOOR | | ADJUSTABLE SHELF/ACCESSORY | | DRAWER FRONT | | DRAWER BODY |
|--|-----|-------------|-----|----------------------------|-----|--------------|-----------------|--------------------|
| | | Part Name | Qty | *Part Name | Qty | Full Overlay | Partial Overlay | Part Name |
| | | | | | | Part Name | Part Name | |
| SINGLE OVEN CABINETS WITH 4 BUTT DOORS, 1 DRAWER AND 1 POT & PAN ORGANIZER - 84" HIGH | | | | | | | | |
| OVS2784 BUTT 1DWR BPP0 | 2 | DRI318 BUTT | - | - | 1 | DDF27 | DDF27 | DRB24 X 21DP DT FD |
| | 2 | DRI324 BUTT | 1 | BBPOK24 | | | | |
| OVS3084 BUTT 1DWR BPP0 | 2 | DRI518 BUTT | - | - | 1 | DDF30 | DDF30 | DRB27 X 21DP DT FD |
| | 2 | DRI524 BUTT | 1 | BPP0K27 | | | | |
| OVS3384 BUTT 1DWR BPP0 | 2 | DRI618 BUTT | - | - | 1 | DDF33 | DDF33 | DRB30 X 21DP DT FD |
| | 2 | DRI624 BUTT | 1 | BPP0K30 | | | | |
| SINGLE OVEN CABINETS WITH 4 BUTT DOORS, 1 DRAWER AND 1 POT & PAN ORGANIZER - 90" HIGH | | | | | | | | |
| OVS2790 BUTT 1DWR BPP0 | 4 | DRI324 BUTT | 1 | S2724 | 1 | DDF27 | DDF27 | DRB24 X 21DP DT FD |
| | | | 1 | BPP0K24 | | | | |
| OVS3090 BUTT 1DWR BPP0 | 4 | DRI524 BUTT | 1 | S3024 | 1 | DDF30 | DDF30 | DRB27 X 21DP DT FD |
| | | | 1 | BPP0K27 | | | | |
| OVS3390 BUTT 1DWR BPP0 | 4 | DRI624 BUTT | 1 | S3324 | 1 | DDF33 | DDF33 | DRB30 X 21DP DT FD |
| | | | 1 | BPP0K30 | | | | |
| SINGLE OVEN CABINETS WITH 4 BUTT DOORS, 1 DRAWER AND 1 POT & PAN ORGANIZER - 93" HIGH | | | | | | | | |
| OVS2793 BUTT 1DWR BPP0 | 2 | DRI327 BUTT | 2 | S2724 | 1 | DDF27 | DDF27 | DRB24 X 21DP DT FD |
| | 2 | DRI324 BUTT | 1 | BPP0K24 | | | | |
| OVS3093 BUTT 1DWR BPP0 | 2 | DRI527 BUTT | 2 | S3024 | 1 | DDF30 | DDF30 | DRB27 X 21DP DT FD |
| | 2 | DRI524 BUTT | 1 | BPP0K27 | | | | |
| OVS3393 BUTT 1DWR BPP0 | 2 | DRI627 BUTT | 2 | S3324 | 1 | DDF33 | DDF33 | DRB30 X 21DP DT FD |
| | 2 | DRI624 BUTT | 1 | BPP0K30 | | | | |
| SINGLE OVEN CABINETS WITH 4 BUTT DOORS, 1 DRAWER AND 1 POT & PAN ORGANIZER - 96" HIGH | | | | | | | | |
| OVS2796 BUTT 1DWR BPP0 | 2 | DRI330 BUTT | 2 | S2724 | 1 | DDF27 | DDF27 | DRB24 X 21DP DT FD |
| | 2 | DRI324 BUTT | 1 | BPP0K24 | | | | |
| OVS3096 BUTT 1DWR BPP0 | 2 | DRI530 BUTT | 2 | S3024 | 1 | DDF30 | DDF30 | DRB27 X 21DP DT FD |
| | 2 | DRI524 BUTT | 1 | BPP0K27 | | | | |
| OVS3396 BUTT 1DWR BPP0 | 2 | DRI630 BUTT | 2 | S3324 | 1 | DDF33 | DDF33 | DRB30 X 21DP DT FD |
| | 2 | DRI624 BUTT | 1 | BPP0K30 | | | | |
| SINGLE OVEN CABINETS WITH 4 BUTT DOORS AND 2 DRAWERS - 84" HIGH | | | | | | | | |
| OVS2784 BUTT 2DWR | 2 | DRI318 BUTT | - | - | 2 | DDF27 | DDF27 | DRB24 X 21DP DT FD |
| | 2 | DRI324 BUTT | | | | | | |
| OVS3084 BUTT 2DWR | 2 | DRI518 BUTT | - | - | 2 | DDF30 | DDF30 | DRB27 X 21DP DT FD |
| | 2 | DRI524 BUTT | | | | | | |
| OVS3384 BUTT 2DWR | 2 | DRI618 BUTT | - | - | 2 | DDF33 | DDF33 | DRB30 X 21DP DT FD |
| | 2 | DRI624 BUTT | | | | | | |
| SINGLE OVEN CABINETS WITH 4 BUTT DOORS AND 2 DRAWERS - 90" HIGH | | | | | | | | |
| OVS2790 AS BUTT 2DWR | 4 | DRI324 BUTT | 1 | S2724 | 2 | DDF27 | DDF27 | DRB24 X 21DP DT FD |
| OVS3090 AS BUTT 2DWR | 4 | DRI524 BUTT | 1 | S3024 | 2 | DDF30 | DDF30 | DRB27 X 21DP DT FD |
| OVS3390 AS BUTT 2DWR | 4 | DRI624 BUTT | 1 | S3324 | 2 | DDF33 | DDF33 | DRB30 X 21DP DT FD |
| SINGLE OVEN CABINETS WITH 4 BUTT DOORS AND 2 DRAWERS - 93" HIGH | | | | | | | | |
| OVS2793 AS BUTT 2DWR | 2 | DRI327 BUTT | 2 | S2724 | 2 | DDF27 | DDF27 | DRB24 X 21DP DT FD |
| | 2 | DRI324 BUTT | | | | | | |
| OVS3093 AS BUTT 2DWR | 2 | DRI527 BUTT | 2 | S3024 | 2 | DDF30 | DDF30 | DRB27 X 21DP DT FD |
| | 2 | DRI524 BUTT | | | | | | |
| OVS3393 AS BUTT 2DWR | 2 | DRI627 BUTT | 2 | S3324 | 2 | DDF33 | DDF33 | DRB30 X 21DP DT FD |
| | 2 | DRI624 BUTT | | | | | | |
| SINGLE OVEN CABINETS WITH 4 BUTT DOORS AND 2 DRAWERS - 96" HIGH | | | | | | | | |
| OVS2796 AS BUTT 2DWR | 2 | DRI330 BUTT | 2 | S2724 | 2 | DDF27 | DDF27 | DRB24 X 21DP DT FD |
| | 2 | DRI324 BUTT | | | | | | |
| OVS3096 AS BUTT 2DWR | 2 | DRI530 BUTT | 2 | S3024 | 2 | DDF30 | DDF30 | DRB27 X 21DP DT FD |
| | 2 | DRI524 BUTT | | | | | | |
| OVS3396 AS BUTT 2DWR | 2 | DRI630 BUTT | 2 | S3324 | 2 | DDF33 | DDF33 | DRB30 X 21DP DT FD |
| | 2 | DRI624 BUTT | | | | | | |

PARTS DIRECTORY: Single Oven Cabinets

| SKU | Qty | DOOR | | ADJUSTABLE SHELF/ACCESSORY | | DRAWER FRONT | | DRAWER BODY |
|---|-----|-------------|-----|----------------------------|-----|--------------|-----------------|--------------------|
| | | Part Name | Qty | *Part Name | Qty | Full Overlay | Partial Overlay | Part Name |
| | | | | | | Part Name | Part Name | |
| SINGLE OVEN CABINETS WITH 4 BUTT DOORS, 2 DRAWERS AND 1 POT & PAN ORGANIZER - 84" HIGH | | | | | | | | |
| OVS2784 BUTT 2DWR BPP0 | 2 | DR1318 BUTT | - | - | 2 | DDF27 | DDF27 | DRB24 X 21DP DT FD |
| | 2 | DR1324 BUTT | 1 | BBPOK24 | | | | |
| OVS3084 BUTT 2DWR BPP0 | 2 | DR1518 BUTT | - | - | 2 | DDF30 | DDF30 | DRB27 X 21DP DT FD |
| | 2 | DR1524 BUTT | 1 | BPP0K27 | | | | |
| OVS3384 BUTT 2DWR BPP0 | 2 | DR1618 BUTT | - | - | 2 | DDF33 | DDF33 | DRB30 X 21DP DT FD |
| | 2 | DR1624 BUTT | 1 | BPP0K30 | | | | |
| SINGLE OVEN CABINETS WITH 4 BUTT DOORS, 2 DRAWERS AND 1 POT & PAN ORGANIZER - 90" HIGH | | | | | | | | |
| OVS2790 AS BUTT 2DWR BPP0 | 4 | DR1324 BUTT | 1 | S2724 | 2 | DDF27 | DDF27 | DRB24 X 21DP DT FD |
| | | | | BBPOK24 | | | | |
| OVS3090 AS BUTT 2DWR BPP0 | 4 | DR1524 BUTT | 1 | S3024 | 2 | DDF30 | DDF30 | DRB27 X 21DP DT FD |
| | | | | BPP0K27 | | | | |
| OVS3390 AS BUTT 2DWR BPP0 | 4 | DR1624 BUTT | 1 | S3324 | 2 | DDF33 | DDF33 | DRB30 X 21DP DT FD |
| | | | | BPP0K30 | | | | |
| SINGLE OVEN CABINETS WITH 4 BUTT DOORS, 2 DRAWERS AND 1 POT & PAN ORGANIZER - 93" HIGH | | | | | | | | |
| OVS2793 AS BUTT 2DWR BPP0 | 2 | DR1327 BUTT | 2 | S2724 | 2 | DDF27 | DDF27 | DRB24 X 21DP DT FD |
| | | | | BBPOK24 | | | | |
| OVS3093 AS BUTT 2DWR BPP0 | 2 | DR1527 BUTT | 2 | S3024 | 2 | DDF30 | DDF30 | DRB27 X 21DP DT FD |
| | | | | BPP0K27 | | | | |
| OVS3393 AS BUTT 2DWR BPP0 | 2 | DR1627 BUTT | 2 | S3324 | 2 | DDF33 | DDF33 | DRB30 X 21DP DT FD |
| | | | | BPP0K30 | | | | |
| SINGLE OVEN CABINETS WITH 4 BUTT DOORS, 2 DRAWERS AND 1 POT & PAN ORGANIZER - 96" HIGH | | | | | | | | |
| OVS2796 AS BUTT 2DWR BPP0 | 2 | DR1330 BUTT | 2 | S2724 | 2 | DDF27 | DDF27 | DRB24 X 21DP DT FD |
| | | | | BBPOK24 | | | | |
| OVS3096 AS BUTT 2DWR BPP0 | 2 | DR1530 BUTT | 2 | S3024 | 2 | DDF30 | DDF30 | DRB27 X 21DP DT FD |
| | | | | BPP0K27 | | | | |
| OVS3396 AS BUTT 2DWR BPP0 | 2 | DR1630 BUTT | 2 | S3324 | 2 | DDF33 | DDF33 | DRB30 X 21DP DT FD |
| | | | | BPP0K30 | | | | |

PARTS DIRECTORY: Single Oven Cabinets

PARTS: TALL CABINETS

| SKU | Qty | DOOR | | ADJUSTABLE SHELF/ACCESSORY | |
|--|-----|-------------|-----|----------------------------|--|
| | | Part Name | Qty | *Part Name | |
| SINGLE OVEN CABINETS WITH 4 BUTT DOORS - 84" HIGH | | | | | |
| OVS2784 BUTT | 2 | DR1318 BUTT | - | - | |
| | 2 | DR1324 BUTT | | | |
| OVS3084 BUTT | 2 | DR1518 BUTT | - | - | |
| | 2 | DR1524 BUTT | | | |
| OVS3384 BUTT | 2 | DR1618 BUTT | - | - | |
| | 2 | DR1624 BUTT | | | |
| SINGLE OVEN CABINETS WITH 4 BUTT DOORS - 90" HIGH | | | | | |
| OVS2790 AS BUTT | 4 | DR1324 BUTT | 1 | S2724 | |
| OVS3090 AS BUTT | 4 | DR1524 BUTT | 1 | S3024 | |
| OVS3390 AS BUTT | 4 | DR1624 BUTT | 1 | S3025 | |
| SINGLE OVEN CABINETS WITH 4 BUTT DOORS - 93" HIGH | | | | | |
| OVS2793 AS BUTT | 2 | DR1327 BUTT | 2 | S2724 | |
| | 2 | DR1324 BUTT | | | |
| OVS3093 AS BUTT | 2 | DR1527 BUTT | 2 | S3024 | |
| | 2 | DR1524 BUTT | | | |
| OVS3393 AS BUTT | 2 | DR1627 BUTT | 2 | S3324 | |
| | 2 | DR1624 BUTT | | | |
| SINGLE OVEN CABINETS WITH 4 BUTT DOORS - 96" HIGH | | | | | |
| OVS2796 AS BUTT | 2 | DR1330 BUTT | 2 | S2724 | |
| | 2 | DR1324 BUTT | | | |
| OVS3096 AS BUTT | 2 | DR1530 BUTT | 2 | S3024 | |
| | 2 | DR1524 BUTT | | | |
| OVS3396 AS BUTT | 2 | DR1630 BUTT | 2 | S3324 | |
| | 2 | DR1624 BUTT | | | |
| SINGLE OVEN CABINETS WITH 4 BUTT DOORS AND 1 POT AND PAN ORGANIZER - 84" HIGH | | | | | |
| OVS2784 BUTT BPP0 | 2 | DR1318 BUTT | - | - | |
| | 2 | DR1324 BUTT | 1 | BBP0K24 | |
| OVS3084 BUTT BPP0 | 2 | DR1518 BUTT | - | - | |
| | 2 | DR1524 BUTT | 1 | BPP0K27 | |
| OVS3384 BUTT BPP0 | 2 | DR1618 BUTT | - | - | |
| | 2 | DR1624 BUTT | 1 | BPP0K30 | |
| SINGLE OVEN CABINETS WITH 4 BUTT DOORS AND 1 POT AND PAN ORGANIZER - 90" HIGH | | | | | |
| OVS2790 BUTT BPP0 | 4 | DR1324 BUTT | 1 | S2724 | |
| | | | 1 | BPP0K24 | |
| OVS3090 BUTT BPP0 | 4 | DR1524 BUTT | 1 | S3024 | |
| | | | 1 | BPP0K27 | |
| OVS3390 BUTT BPP0 | 4 | DR1624 BUTT | 1 | S3324 | |
| | | | 1 | BPP0K30 | |
| SINGLE OVEN CABINETS WITH 4 BUTT DOORS AND 1 POT AND PAN ORGANIZER - 93" HIGH | | | | | |
| OVS2793 BUTT BPP0 | 2 | DR1327 BUTT | 2 | S2724 | |
| | 2 | DR1324 BUTT | 1 | BPP0K24 | |
| OVS3093 BUTT BPP0 | 2 | DR1527 BUTT | 2 | S3024 | |
| | 2 | DR1524 BUTT | 1 | BPP0K27 | |
| OVS3393 BUTT BPP0 | 2 | DR1627 BUTT | 2 | S3324 | |
| | 2 | DR1624 BUTT | 1 | BPP0K30 | |
| SINGLE OVEN CABINETS WITH 4 BUTT DOORS AND 1 POT AND PAN ORGANIZER - 96" HIGH | | | | | |
| OVS2796 BUTT BPP0 | 2 | DR1330 BUTT | 2 | S2724 | |
| | 2 | DR1324 BUTT | 1 | BPP0K24 | |
| OVS3096 BUTT BPP0 | 2 | DR1530 BUTT | 2 | S3024 | |
| | 2 | DR1524 BUTT | 1 | BPP0K27 | |
| OVS3396 BUTT BPP0 | 2 | DR1630 BUTT | 2 | S3324 | |
| | 2 | DR1624 BUTT | 1 | BPP0K30 | |

PARTS DIRECTORY: Vanity Cabinets

| SKU | Qty | DOOR | | DRAWER/PANEL FRONT | |
|---|-----|--------------|-----|--------------------|-----|
| | | Part Name | Qty | Part Name | Qty |
| VANITY SINK BASE - 31 1/8" HIGH | | | | | |
| VSB15 | 1 | DRI52IV | 1 | DDF15 | |
| VSB18 | 1 | DRI82IV | 1 | DDF18 | |
| VSB21 | 1 | DR212IV | 1 | DDF21 | |
| VSB24 BUTT | 2 | DR122IV BUTT | 1 | DDF24 | |
| VSB27 BUTT | 2 | DR132IV BUTT | 1 | DDF27 | |
| VSB30 BUTT | 2 | DR152IV BUTT | 1 | DDF30 | |
| VSB33 BUTT | 2 | DR162IV BUTT | 1 | DDF33 | |
| VSB36 BUTT | 2 | DR182IV BUTT | 1 | DDF36 | |
| VSB39 | 2 | DR192IV | 2 | DDF19 | |
| VSB42 | 2 | DR212IV | 2 | DDF21 | |
| VSB48 | 2 | DRI52IV | 2 | DDF15 | |
| | 1 | DRI82IV | 1 | DDF18 | |
| VSB54 BUTT | 4 | DR132IV BUTT | 2 | DDF27 | |
| VSB60 BUTT | 4 | DR152IV BUTT | 2 | DDF30 | |
| VANITY SINK BASE - 18" DEEP X 31 1/8" HIGH | | | | | |
| VSB2418 BUTT | 2 | DR122IV BUTT | 1 | DDF24 | |
| VSB3018 BUTT | 2 | DR152IV BUTT | 1 | DDF30 | |
| VSB3618 BUTT | 2 | DR182IV BUTT | 1 | DDF36 | |
| VANITY SINK FRONT | | | | | |
| VSF21 | 1 | DR212IV | 1 | DDF21 | |
| VSF24 BUTT | 2 | DR122IV BUTT | 1 | DDF24 | |
| VSF30 BUTT | 2 | DR152IV BUTT | 1 | DDF30 | |
| VSF36 BUTT | 2 | DR182IV BUTT | 1 | DDF36 | |
| VSF39 | 2 | DR192IV | 2 | DDF19 | |
| VSF42 | 2 | DR212IV | 2 | DDF21 | |
| VSF48 | 2 | DRI52IV | 2 | DDF15 | |
| | 1 | DRI82IV | 1 | DDF18 | |
| VANITY SINK BASE - 34 1/2" HIGH | | | | | |
| VSB1534H | 1 | DRI524 | 1 | DDF15 | |
| VSB1834H | 1 | DRI824 | 1 | DDF18 | |
| VSB2134H | 1 | DR2124 | 1 | DDF21 | |
| VSB2434H BUTT | 2 | DR1224 BUTT | 1 | DDF24 | |
| VSB2734H BUTT | 2 | DR1324 BUTT | 1 | DDF27 | |
| VSB3034H BUTT | 2 | DR1524 BUTT | 1 | DDF30 | |
| VSB3334H BUTT | 2 | DR1624 BUTT | 1 | DDF33 | |
| VSB3634H BUTT | 2 | DR1824 BUTT | 1 | DDF36 | |
| VSB3934H | 2 | DR1924 | 2 | DDF19 | |
| VSB4234H | 2 | DR2124 | 2 | DDF21 | |
| VSB4834H | 2 | DRI524 | 2 | DDF15 | |
| | 1 | DRI824 | 1 | DDF18 | |
| VSB5434H BUTT | 4 | DR1324 BUTT | 2 | DDF27 | |
| VSB6034H BUTT | 4 | DR1524 BUTT | 2 | DDF30 | |
| VANITY SINK BASE - 18" DEEP X 34 1/2" HIGH | | | | | |
| VSB241834H BUTT | 2 | DR1224 BUTT | 1 | DDF24 | |
| VSB301834H BUTT | 2 | DR1524 BUTT | 1 | DDF30 | |
| VSB361834H BUTT | 2 | DR1824 BUTT | 1 | DDF36 | |
| VANITY PLUMBING SKIRT | | | | | |
| VPS30 UD | - | - | 1 | DDFKDC33/27 | |
| VPS36 UD | - | - | 1 | DDFKDC36/33 | |

PARTS DIRECTORY: Full-Height Vanity Base Cabinets

| SKU | Qty | DOOR | |
|---|-----|--------------|-----------------|
| | | Full Overlay | Partial Overlay |
| | | Part Name | Part Name |
| VANITY FULL-HEIGHT BASE · 34 1/2" HIGH | | | |
| VB1234H FH | 1 | DR12FH | DR1230 |
| VB1534H FH | 1 | DR15FH | DR1530 |
| VB1834H FH | 1 | DR18FH | DR1830 |
| VB2134H FH | 1 | DR21FH | DR2130 |
| VB2434H BUTT FH | 2 | DR12BUTT FH | DR1230 BUTT |
| VB3034H BUTT FH | 2 | DR15BUTT FH | DR1530 BUTT |
| VB3634H BUTT FH | 2 | DR18BUTT FH | DR1830 BUTT |

| SKU | Qty | DRAWER FRONT | | DRAWER BODY |
|--|-----|--------------|-----------------|----------------------|
| | | Full Overlay | Partial Overlay | |
| | | Part Name | Part Name | Part Name |
| STANDARD HEIGHT VANITY DRAWER BASE · 31 1/8" HIGH | | | | |
| VDB12 | 2 | DDF12 | DDF12 | DRB12 X 18DP DT FD |
| | 1 | DDF12VD | DDF12D | DRB12M X 18DP DT FD |
| VDB15 | 2 | DDF15 | DDF15 | DRB15 X 18DP DT FD |
| | 1 | DDF15VD | DDF15D | DRB15M X 18DP DT FD |
| VDB18 | 2 | DDF18 | DDF18 | DRB18 X 18DP DT FD |
| | 1 | DDF18VD | DDF18D | DRB18M X 18DP DT FD |
| VDB21 | 2 | DDF21 | DDF21 | DRB21 X 18DP DT FD |
| | 1 | DDF21VD | DDF21D | DRB21M X 18DP DT FD |
| VDB24 | 2 | DDF24 | DDF24 | DRB24 X 18DP DT FD |
| | 1 | DDF24VD | DDF24D | DRB24M X 18DP DT FD |
| BASE HEIGHT VANITY DRAWER BASE · 34 1/2" HIGH | | | | |
| VDB1234H | 1 | DDF12 | DDF12 | DRB12 X 18DP DT FD |
| | 2 | DDF12M | DDF12D | DRB12M X 18DP DT FD |
| VDB1534H | 1 | DDF15 | DDF15 | DRB15 X 18DP DT FD |
| | 2 | DDF15M | DDF15D | DRB15M X 18DP DT FD |
| VDB1834H | 1 | DDF18 | DDF18 | DRB18 X 18DP DT FD |
| | 2 | DDF18M | DDF18D | DRB18M X 18DP DT FD |
| VDB2134H | 1 | DDF21 | DDF21 | DRB21 X 18DP DT FD |
| | 2 | DDF21M | DDF21D | DRB21M X 18DP DT FD |
| VDB2434H | 1 | DDF24 | DDF24 | DRB24 X 18DP DT FD |
| | 2 | DDF24M | DDF24D | DRB24M X 18DP DT FD |
| KNEEHOLE DRAWER CABINET | | | | |
| KDC27/21 | 1 | DDFKDC27/21 | DDFKDC27/21 | DRBKDC27X 15DP DT FD |
| KDC33/27 | 1 | DDFKDC33/27 | DDFKDC33/27 | DRBKDC33X 15DP DT FD |
| KDC36/33 | 1 | DDFKDC36/33 | DDFKDC36/33 | DRBKDC36X 15DP DT FD |

PARTS: VANITY CABINETS

PARTS DIRECTORY: Vanity Cabinets

| SKU | DOOR | | DRAWER BODY | | DRAWER/PANEL FRONT | | |
|---|------|--------------|-------------|---------------------|--------------------|-----------|-----------------|
| | Qty | Part Name | Qty | Part Name | Full Overlay | | Partial Overlay |
| | | | | | Part Name | Part Name | |
| VANITY BASE - 31 1/8" HIGH | | | | | | | |
| VB12 | 1 | DR122IV | 1 | DRB12 X 18DP DT FD | 1 | DDF12 | DDF12 |
| VB15 | 1 | DR152IV | 1 | DRB15 X 18DP DT FD | 1 | DDF15 | DDF15 |
| VB18 | 1 | DR182IV | 1 | DRB18 X 18DP DT FD | 1 | DDF18 | DDF18 |
| VB21 | 1 | DR212IV | 1 | DRB21 X 18DP DT FD | 1 | DDF21 | DDF21 |
| VB24 BUTT | 2 | DR122IV BUTT | 1 | DRB24 X 18DP DT FD | 1 | DDF24 | DDF24 |
| VB27 BUTT | 2 | DR132IV BUTT | 1 | DRB27 X 18DP DT FD | 1 | DDF27 | DDF27 |
| VB30 BUTT | 2 | DR152IV BUTT | 1 | DRB30 X 18DP DT FD | 1 | DDF30 | DDF30 |
| VB33 BUTT | 2 | DR162IV BUTT | 1 | DRB33 X 18DP DT FD | 1 | DDF33 | DDF33 |
| VB36 BUTT | 2 | DR182IV BUTT | 1 | DRB36 X 18DP DT FD | 1 | DDF36 | DDF36 |
| VANITY SINK BASE WITH TOP DRAWERS - 31 1/8" HIGH | | | | | | | |
| VAN36 BUTT | 2 | DR182IV BUTT | 2 | DRB10 X 18DP DT FD | 3 | DDF12 | DDF12 |
| VAN39 | 2 | DR192IV | 2 | DRB12 X 18DP DT FD | 2 | DDF12 | DDF12 |
| | | | | | 1 | DDF15 | DDF15 |
| VAN42 | 2 | DR212IV | 2 | DRB12 X 18DP DT FD | 2 | DDF12 | DDF12 |
| | | | | | 1 | DDF18 | DDF18 |
| VAN48 | 2 | DR152IV | 2 | DRB15 X 18DP DT FD | 2 | DDF15 | DDF15 |
| | 1 | DR182IV | | | 1 | DDF18 | DDF18 |
| VAN54 BK BUTT | 2 | DR122IV | 2 | DRB12 X 18DP DT FD | 2 | DDF12 | DDF12 |
| | 2 | DR152IV BUTT | | | 1 | DDF30 | DDF30 |
| VAN60 BK BUTT | 2 | DR152IV | 2 | DRB15 X 18DP DT FD | 2 | DDF15 | DDF15 |
| | 2 | DR152IV BUTT | | | 1 | DDF30 | DDF30 |
| VANITY COMBO SINK BASE - 18" DEEP X 31 1/8" HIGH | | | | | | | |
| VSDB2418 BK | 1 | DR122IV | 1 | DRB12 X 15DP DT FD | 1 | DDF12 | DDF12 |
| | | | 1 | DRB12M X 15DP DT FD | 1 | DDF12VD | DDF12D |
| | | | | | 1 | DDF24 | DDF24 |
| VSDB2718 BK | 1 | DR152IV | 1 | DRB12 X 15DP DT FD | 1 | DDF12 | DDF12 |
| | | | 1 | DRB12M X 15DP DT FD | 1 | DDF12VD | DDF12D |
| | | | | | 1 | DDF27 | DDF27 |
| VSDB2718 BK | 1 | DR182IV | 1 | DRB12 X 15DP DT FD | 1 | DDF12 | DDF12 |
| | | | 1 | DRB12M X 15DP DT FD | 1 | DDF12VD | DDF12D |
| | | | | | 1 | DDF30 | DDF30 |
| VSDB3318 BK | 1 | DR212IV | 1 | DRB12 X 15DP DT FD | 1 | DDF12 | DDF12 |
| | | | 1 | DRB12M X 15DP DT FD | 1 | DDF12VD | DDF12D |
| | | | | | 1 | DDF33 | DDF33 |
| VSDB3618 BK | 1 | DR212IV | 1 | DRB15 X 15DP DT FD | 1 | DDF15 | DDF15 |
| | | | 1 | DRB15M X 15DP DT FD | 1 | DDF15VD | DDF15D |
| | | | | | 1 | DDF36 | DDF36 |

PARTS DIRECTORY: Vanity Cabinets

| SKU | DOOR | | DRAWER BODY | | DRAWER/PANEL FRONT | | |
|--|------|--------------|-------------|---------------------|--------------------|-----------|-----------------|
| | Qty | Part Name | Qty | Part Name | Full Overlay | | Partial Overlay |
| | | | | | Part Name | Part Name | |
| VANITY COMBO SINK BASE - 31 1/8" HIGH | | | | | | | |
| VSDB24 BK | 1 | DRI221V | 1 | DRB12 X 18DP DT FD | 1 | DDF12 | DDF12 |
| | | | 1 | DRB12M X 18DP DT FD | 1 | DDF12VD | DDF12D |
| | | | | | 1 | DDF24 | DDF24 |
| VSDB27 BK | 1 | DRI521V | 1 | DRB12 X 18DP DT FD | 1 | DDF12 | DDF12 |
| | | | 1 | DRB12M X 18DP DT FD | 1 | DDF12VD | DDF12D |
| | | | | | 1 | DDF27 | DDF27 |
| VSDB30 BK | 1 | DRI821V | 1 | DRB12 X 18DP DT FD | 1 | DDF12 | DDF12 |
| | | | 1 | DRB12M X 18DP DT FD | 1 | DDF12VD | DDF12D |
| | | | | | 1 | DDF30 | DDF30 |
| VSDB33 BK | 1 | DR2121V | 1 | DRB12 X 18DP DT FD | 1 | DDF12 | DDF12 |
| | | | 1 | DRB12M X 18DP DT FD | 1 | DDF12VD | DDF12D |
| | | | | | 1 | DDF33 | DDF33 |
| VSDB36 BK | 1 | DR2121V | 1 | DRB15 X 18DP DT FD | 1 | DDF15 | DDF15 |
| | | | 1 | DRB15M X 18DP DT FD | 1 | DDF15VD | DDF15D |
| | | | | | 1 | DDF36 | DDF36 |
| VSDB42 BK BUTT | 2 | DRI521V BUTT | 2 | DRB12 X 18DP DT FD | 1 | DDF30 | DDF30 |
| | | | 1 | DRB12M X 18DP DT FD | 2 | DDF12 | DDF12 |
| | | | | | 1 | DDF12VD | DDF12D |
| VSDB48D BK BUTT | 2 | DRI221V BUTT | 4 | DRB12 X 18DP DT FD | 1 | DDF24 | DDF24 |
| | | | 2 | DRB12M X 18DP DT FD | 4 | DDF12 | DDF12 |
| | | | | | 2 | DDF12VD | DDF12D |
| VSDB54D BK BUTT | 2 | DRI221V BUTT | 4 | DRB15 X 18DP DT FD | 1 | DDF24 | DDF24 |
| | | | 2 | DRB15M X 18DP DT FD | 4 | DDF15 | DDF15 |
| | | | | | 2 | DDF15VD | DDF15D |
| VSDB60C BK BUTT | 4 | DRI221V BUTT | 2 | DRB12 X 18DP DT FD | 2 | DDF24 | DDF24 |
| | | | 1 | DRB12M X 18DP DT FD | 2 | DDF12 | DDF12 |
| | | | | | 1 | DDF12VD | DDF12D |
| VSDB60D BK BUTT | 2 | DRI521V BUTT | 4 | DRB15 X 18DP DT FD | 1 | DDF30 | DDF30 |
| | | | 2 | DRB15M X 18DP DT FD | 4 | DDF15 | DDF15 |
| | | | | | 2 | DDF15VD | DDF15D |
| VANITY BASE - 34 1/2" HIGH | | | | | | | |
| VB1234H | 1 | DRI224 | 1 | DRB12 X 18DP DT FD | 1 | DDF12 | DDF12 |
| VB1534H | 1 | DRI524 | 1 | DRB15 X 18DP DT FD | 1 | DDF15 | DDF15 |
| VB1834H | 1 | DR1824 | 1 | DRB18 X 18DP DT FD | 1 | DDF18 | DDF18 |
| VB2134H | 1 | DR2124 | 1 | DRB21 X 18DP DT FD | 1 | DDF21 | DDF21 |
| VB2434H BUTT | 2 | DRI224 BUTT | 1 | DRB24 X 18DP DT FD | 1 | DDF24 | DDF24 |
| VB2734H BUTT | 2 | DR1324 BUTT | 1 | DRB27 X 18DP DT FD | 1 | DDF27 | DDF27 |
| VB3034H BUTT | 2 | DRI524 BUTT | 1 | DRB30 X 18DP DT FD | 1 | DDF30 | DDF30 |
| VB3334H BUTT | 2 | DR1624 BUTT | 1 | DRB33 X 18DP DT FD | 1 | DDF33 | DDF33 |
| VB3634H BUTT | 2 | DR1824 BUTT | 1 | DRB36 X 18DP DT FD | 1 | DDF36 | DDF36 |

PARTS: VANITY CABINETS

PARTS DIRECTORY: Vanity Cabinets

| SKU | DOOR | | DRAWER BODY | | DRAWER/PANEL FRONT | | |
|---|------|-------------|-------------|--|--------------------|-----------------|--------|
| | Qty | Part Name | Qty | Part Name | Full Overlay | Partial Overlay | |
| | | | | | Part Name | Part Name | |
| VANITY BASE WITH BOTTOM MOUNT WASTEBASKET - 34 1/2" HIGH | | | | | | | |
| VWBB1834H | 1 | DR1824 ND | 1 | DRB18 X 18DP DT FD VWBB1834H_OL KIT | 1 | DDF18 | DDF18 |
| VANITY SINK BASE WITH TOP DRAWERS - 34 1/2" HIGH | | | | | | | |
| VAN3634H BUTT | 2 | DR1824 BUTT | 2 | DRB10 X 18DP DT FD | 3 | DDF12 | DDF12 |
| VAN3934H | 2 | DR1924 | 2 | DRB12 X 18DP DT FD | 2 | DDF12 | DDF12 |
| | | | | | 1 | DDF15 | DDF15 |
| VAN4234H | 2 | DR2124 | 2 | DRB12 X 18DP DT FD | 2 | DDF12 | DDF12 |
| | | | | | 1 | DDF18 | DDF18 |
| VAN4834H | 2 | DR1524 | 2 | DRB15 X 18DP DT FD | 2 | DDF15 | DDF15 |
| | 1 | DR1824 | | | 1 | DDF18 | DDF18 |
| VAN5434H BK BUTT | 2 | DR1224 | 2 | DRB12 X 18DP DT FD | 2 | DDF12 | DDF12 |
| | 2 | DR1524 BUTT | | | 1 | DDF30 | DDF30 |
| VAN6034H BK BUTT | 2 | DR1524 | 2 | DRB15 X 18DP DT FD | 2 | DDF15 | DDF15 |
| | 2 | DR1524 BUTT | | | 1 | DDF30 | DDF30 |
| VANITY COMBO SINK BASE - 18" DEEP X 34 1/2" HIGH | | | | | | | |
| VSDB241834H BK | 1 | DR1224 | 2 | DRB12M X 15DP DT FD | 2 | DDF12M | DDF12D |
| | | | | | 1 | DDF24 | DDF24 |
| VSDB271834H BK | 1 | DR1524 | 2 | DRB12M X 15DP DT FD | 2 | DDF12M | DDF12D |
| | | | | | 1 | DDF27 | DDF27 |
| VSDB301834H BK | 1 | DR1824 | 2 | DRB12M X 15DP DT FD | 2 | DDF12M | DDF12D |
| | | | | | 1 | DDF30 | DDF30 |
| VSDB331834H BK | 1 | DR2124 | 2 | DRB12M X 15DP DT FD | 2 | DDF12M | DDF12D |
| | | | | | 1 | DDF33 | DDF33 |
| VSDB361834H BK | 1 | DR2124 | 2 | DRB15M X 15DP DT FD | 2 | DDF15M | DDF15D |
| | | | | | 1 | DDF36 | DDF36 |

PARTS DIRECTORY: Vanity Cabinets

| SKU | DOOR | | DRAWER BODY | | DRAWER/PANEL FRONT | | |
|--|------|-------------|-------------|---------------------|--------------------|-----------|-----------------|
| | Qty | Part Name | Qty | Part Name | Full Overlay | | Partial Overlay |
| | | | | | Part Name | Part Name | |
| VANITY COMBO SINK BASE - 34 1/2" HIGH | | | | | | | |
| VSDB2434H BK | 1 | DR1224 | 2 | DRB12M X 18DP DT FD | 2 | DDF12M | DDF12D |
| | | | | | 1 | DDF24 | DDF24 |
| VSDB2734H BK | 1 | DR1524 | 2 | DRB12M X 18DP DT FD | 2 | DDF12M | DDF12D |
| | | | | | 1 | DDF27 | DDF27 |
| VSDB3034H BK | 1 | DR1824 | 2 | DRB12M X 18DP DT FD | 2 | DDF12M | DDF12D |
| | | | | | 1 | DDF30 | DDF30 |
| VSDB3334H BK | 1 | DR2124 | 2 | DRB12M X 18DP DT FD | 2 | DDF12M | DDF12D |
| | | | | | 1 | DDF33 | DDF33 |
| VSDB3634H BK | 1 | DR2124 | 2 | DRB15M X 18DP DT FD | 2 | DDF15M | DDF15D |
| | | | | | 1 | DDF36 | DDF36 |
| VSDB3934H BK | 1 | DR2124 | 2 | DRB18M X 18DP DT FD | 1 | DDF21 | DDF21 |
| | | | | | 1 | DDF18 | DDF18 |
| | | | | | 2 | DDF18M | DDF18D |
| VSDB4234H BK BUTT | 2 | DR1524 BUTT | 1 | DRB12 X 18DP DT FD | 1 | DDF30 | DDF30 |
| | | | 2 | DRB12M X 18DP DT FD | 1 | DDF12 | DDF12 |
| | | | | | 2 | DDF12M | DDF12D |
| VSDB4834HD BK BUTT | 2 | DR1224 BUTT | 2 | DRB12 X 18DP DT FD | 1 | DDF24 | DDF24 |
| | | | 4 | DRB12M X 18DP DT FD | 2 | DDF12 | DDF12 |
| | | | | | 4 | DDF12M | DDF12D |
| VSDB5434HD BK BUTT | 2 | DR1224 BUTT | 2 | DRB15 X 18DP DT FD | 1 | DDF24 | DDF24 |
| | | | 4 | DRB15M X 18DP DT FD | 2 | DDF15 | DDF15 |
| | | | | | 4 | DDF15M | DDF15D |
| VSDB6034HC BK BUTT | 4 | DR1224 BUTT | 1 | DRB12 X 18DP DT FD | 2 | DDF24 | DDF24 |
| | | | 2 | DRB12M X 18DP DT FD | 1 | DDF12 | DDF12 |
| | | | | | 2 | DDF12M | DDF12D |
| VSDB6034HD BK BUTT | 2 | DR1524 BUTT | 2 | DRB15 X 18DP DT FD | 1 | DDF30 | DDF30 |
| | | | 4 | DRB15M X 18DP DT FD | 2 | DDF15 | DDF15 |
| | | | | | 4 | DDF15M | DDF15D |

PARTS: VANITY CABINETS

PARTS DIRECTORY: Vanity Linen Cabinets

| SKU | Qty | DOOR | SPECIALTY DOOR | DECORATIVE GLASS | Qty | ADJUSTABLE SHELF/ACCESSORY |
|---|-----|---------------|---|------------------|-----|---|
| | | | Specialty doors require a specialty door selection. | | | *For All Plywood Construction, upgrade through construction options |
| | | Part Name | Part Name | Part Name | | *Part Name |
| VANITY LINEN CABINETS - WITH ADJUSTABLE SHELVES | | | | | | |
| VLC122184 AS | 1 | DRI230 | DRI230 SD | DGI-1230 | 5 | S1221 |
| | 1 | DRI250 | | | | |
| VLC152184 AS | 1 | DRI530 | DRI530 SD | DGI-1530 | 5 | S1521 |
| | 1 | DRI550 | | | | |
| VLC182184 AS | 1 | DRI830 | DRI830 SD | DGI-1830 | 5 | S1821 |
| | 1 | DRI850 | | | | |
| VLC242184 AS BUTT | 2 | DRI230 BUTT | DRI230 BUTT SD | DGI-1230 BUTT | 5 | S2421 |
| | 2 | DRI250 BUTT | | | | |
| VANITY LINEN CABINETS - WITH DEEP ROLL OUT TRAYS | | | | | | |
| VLC122184 4ROT | 1 | DRI230 | DRI230 SD | DGI-1230 | 1 | S1221 |
| | 1 | DRI250 | | | 4 | DROT1221 |
| VLC152184 4ROT | 1 | DRI530 | DRI530 SD | DGI-1530 | 1 | S1521 |
| | 1 | DRI550 | | | 4 | DROT1521 |
| VLC182184 4ROT | 1 | DRI830 | DRI830 SD | DGI-1830 | 1 | S1821 |
| | 1 | DRI850 | | | 4 | DROT1821 |
| VLC242184 4ROT BUTT | 2 | DRI230 BUTT | DRI230 BUTT SD | DGI-1230 BUTT | 1 | S2421 |
| | 2 | DRI250 BUTT | | | 4 | DROT2421 |
| MEDICINE CABINET | | | | | | |
| MC1530 | 1 | DRI530 | - | - | 2 | MC SHELF |
| MCM1530 | 1 | DRMCM1530 | - | - | 2 | MC SHELF |
| TRI-VIEW MIRROR | | | | | | |
| TV3030 | 3 | MIRROR TV3030 | - | - | 3 | TV30 SHELF 9 |
| | | | | | 3 | TV30 SHELF 18 |
| TV3630 | 3 | MIRROR TV3630 | - | - | 3 | TV36 SHELF 11 |
| | | | | | 3 | TV36 SHELF 22 |
| VALET CABINET | | | | | | |
| VC2436 BUTT | 2 | DRI224 BUTT | - | - | - | - |

| SKU | Qty | DOOR/DRAWER FRONT | | DRAWER BODY OR ACCESSORY |
|--|-----|-------------------|-----------------|--------------------------|
| | | Full Overlay | Partial Overlay | |
| | | Part Name | Part Name | Part Name |
| DESK FILE PULL OUT CABINET | | | | |
| DFDC1821 | 1 | DDF18 | DDF18 | DRB18 X 18DP DT FD |
| | 1 | DR1818 ND | DR1818 ND | DRB18M X 18DP DT FD |
| | 1 | - | - | DFDC FILE UNIT 21 |
| DFDC1824 | 1 | DDF18 | DDF18 | DRB18 X 21DP DT FD |
| | 1 | DR1818 ND | DR1818 ND | DRB18M X 18DP DT FD |
| | 1 | - | - | DFDC FILE UNIT 24 |
| DESK DRAWER BASE CABINET - 21" DEEP | | | | |
| DDR1221 | 2 | DDF12 | DDF12 | DRB12 X 18DP DT FD |
| | 1 | DDF12M | DDF12D | DRB12M X 18DP DT FD |
| DDR1521 | 2 | DDF15 | DDF15 | DRB15 X 18DP DT FD |
| | 1 | DDF15M | DDF15D | DRB15M X 18DP DT FD |
| DDR1821 | 2 | DDF18 | DDF18 | DRB18 X 18DP DT FD |
| | 1 | DDF18M | DDF18D | DRB18M X 18DP DT FD |
| DDR2121 | 2 | DDF21 | DDF21 | DRB21 X 18DP DT FD |
| | 1 | DDF21M | DDF21D | DRB21M X 18DP DT FD |
| DDR2421 | 2 | DDF24 | DDF24 | DRB24 X 18DP DT FD |
| | 1 | DDF24M | DDF24D | DRB24M X 18DP DT FD |
| DESK DRAWER BASE CABINET - 24" DEEP | | | | |
| DDR1224 | 2 | DDF12 | DDF12 | DRB12 X 21DP DT FD |
| | 1 | DDF12M | DDF12D | DRB12M X 21DP DT FD |
| DDR1524 | 2 | DDF15 | DDF15 | DRB15 X 21DP DT FD |
| | 1 | DDF15M | DDF15D | DRB15M X 21DP DT FD |
| DDR1824 | 2 | DDF18 | DDF18 | DRB18 X 21DP DT FD |
| | 1 | DDF18M | DDF18D | DRB18M X 21DP DT FD |
| DDR2124 | 2 | DDF21 | DDF21 | DRB21 X 21DP DT FD |
| | 1 | DDF21M | DDF21D | DRB21M X 21DP DT FD |
| DDR2424 | 2 | DDF24 | DDF24 | DRB24 X 21DP DT FD |
| | 1 | DDF24M | DDF24D | DRB24M X 21DP DT FD |
| DESK WITH BOTTOM MOUNT WASTEBASKET(S) | | | | |
| DWBB1821 | 1 | DR1824 ND | DR1824 ND | DWBB1821_OL KIT |
| DWBB1824 | 1 | DR1824 ND | DR1824 ND | DWBB1824_OL KIT |

| SKU | Qty | DOOR | Qty | ADJUSTABLE SHELF/ACCESSORY | Qty | DRAWER/PANEL FRONT | Qty | DRAWER BODY |
|-----------------------------|-----|-------------|-----|---|-----|--------------------|-----|--------------------|
| | | | | *For All Plywood Construction Adjustable Shelf, refer to Parts Directory legend | | | | |
| | | Part Name | | *Part Name | | Part Name | | Part Name |
| DESK DOOR - 21" DEEP | | | | | | | | |
| DD01221 | 1 | DR1218 | 1 | 12" SHELF 21DP 3/4 | 1 | DDF12 | 1 | DRB12 X 18DP DT FD |
| DD01521 | 1 | DR1518 | 1 | 15" SHELF 21DP 3/4 | 1 | DDF15 | 1 | DRB15 X 18DP DT FD |
| DD01821 | 1 | DR1818 | 1 | 18" SHELF 21DP 3/4 | 1 | DDF18 | 1 | DRB18 X 18DP DT FD |
| DD02121 | 1 | DR2118 | 1 | 21" SHELF 21DP 3/4 | 1 | DDF21 | 1 | DRB21 X 18DP DT FD |
| DD02421 BUTT | 2 | DR1218 BUTT | 1 | 24" SHELF 21DP 3/4 | 1 | DDF24 | 1 | DRB24 X 18DP DT FD |
| DESK DOOR - 24" DEEP | | | | | | | | |
| DD01224 | 1 | DR1218 | 1 | 12" SHELF 24DP 3/4 | 1 | DDF12 | 1 | DRB12 X 21DP DT FD |
| DD01524 | 1 | DR1518 | 1 | 15" SHELF 24DP 3/4 | 1 | DDF15 | 1 | DRB15 X 21DP DT FD |
| DD01824 | 1 | DR1818 | 1 | 18" SHELF 24DP 3/4 | 1 | DDF18 | 1 | DRB18 X 21DP DT FD |
| DD02124 | 1 | DR2118 | 1 | 21" SHELF 24DP 3/4 | 1 | DDF21 | 1 | DRB21 X 21DP DT FD |
| DD02424 BUTT | 2 | DR1218 BUTT | 1 | 24" SHELF 24DP 3/4 | 1 | DDF24 | 1 | DRB24 X 21DP DT FD |

PARTS: DESK CABINETS

PARTS DIRECTORY: Decorator Matching Doors

| SKU | Qty | DECORATOR MATCHING DOOR | |
|--|-----|-------------------------|-----------------|
| | | Full Overlay | Partial Overlay |
| | | Part Name | Part Name |
| DECORATOR MATCHING BASE DOORS | | | |
| DMDB | 1 | DR24FH ND | DR2430 ND |
| DMDBEA12 | 1 | DR12FH ND | DR1230 ND |
| DECORATOR MATCHING DESK DOORS | | | |
| DMD21 | 1 | DR2124 ND | DR2124 ND |
| DMD24 | 1 | DR2424 ND | DR2424 ND |
| DECORATOR MATCHING TALL DOORS | | | |
| DMDT8412 | 1 | DR1230 ND | DR1230 ND |
| | 1 | DR1250 ND | DR1250 ND |
| DMDT8424 | 2 | DR1230 ND | DR1230 ND |
| | 2 | DR1250 ND | DR1250 ND |
| DMDT9012 | 1 | DR1236 ND | DR1236 ND |
| | 1 | DR1250 ND | DR1250 ND |
| DMDT9024 | 2 | DR1236 ND | DR1236 ND |
| | 2 | DR1250 ND | DR1250 ND |
| DMDT9312 | 1 | DR1239 ND | DR1239 ND |
| | 1 | DR1250 ND | DR1250 ND |
| DMDT9324 | 2 | DR1239 ND | DR1239 ND |
| | 2 | DR1250 ND | DR1250 ND |
| DMDT9612 | 1 | DR1242 ND | DR1242 ND |
| | 1 | DR1250 ND | DR1250 ND |
| DMDT9624 | 2 | DR1242 ND | DR1242 ND |
| | 2 | DR1250 ND | DR1250 ND |
| DECORATOR MATCHING WALL DOORS | | | |
| DMDW18 | 1 | DR1218 ND | DR1218 ND |
| DMDW24 | 1 | DR1224 ND | DR1224 ND |
| DMDW30 | 1 | DR1230 ND | DR1230 ND |
| DMDW36 | 1 | DR1236 ND | DR1236 ND |
| DMDW39 | 1 | DR1239 ND | DR1239 ND |
| DMDW42 | 1 | DR1242 ND | DR1242 ND |
| DECORATOR MATCHING VANITY DOORS | | | |
| DMDV | 1 | DR2121 ND | DR2121 ND |
| | 1 | DDF21 | DDF21 |

PARTS DIRECTORY: Door Dimensions

| DOOR DIMENSIONS | | |
|-----------------|---|---------------------|
| PART NAME | Standard, Specialty (SD) & No-Drill (ND) Doors are the same dimension | |
| | Full Overlay | Partial Overlay |
| 12" HIGH | | |
| DR1212 | 11 9/16" x 11 1/2" | 9 7/8" x 10" |
| DR1212 BUTT | 11 11/16" x 11 1/2" | 9 7/8" x 10" |
| DR1312 BUTT | 13 3/16" x 11 1/2" | 12 7/16" x 10" |
| DR1512 | 14 9/16" x 11 1/2" | 12 7/8" x 10" |
| DR1512 BUTT | 14 11/16" x 11 1/2" | 13 15/16" x 10" |
| DR1612 BUTT | 16 3/16" x 11 1/2" | 15 7/16" x 10" |
| DR1812 | 17 9/16" x 11 1/2" | 15 7/8" x 10" |
| DR1812 BUTT | 17 11/16" x 11 1/2" | 16 15/16" x 10" |
| DR18.512 BUTT | 18 3/16" x 11 1/2" | 17 3/8" x 10" |
| DR1912 | 19 1/16" x 11 1/2" | 17 3/8" x 10" |
| DR2112 | 20 9/16" x 11 1/2" | 18 7/8" x 10" |
| 15" HIGH | | |
| DR1215 | 11 9/16" x 14 1/2" | 9 7/8" x 13" |
| DR1215 BUTT | 11 11/16" x 14 1/2" | 10 15/16" x 13" |
| DR1315 BUTT | 13 3/16" x 14 1/2" | 12 7/16" x 13" |
| DR1515 | 14 9/16" x 14 1/2" | 12 7/8" x 13" |
| DR1515 BUTT | 14 11/16" x 14 1/2" | 13 15/16" x 13" |
| DR1615 BUTT | 16 3/16" x 14 1/2" | 15 7/16" x 13" |
| DR1815 | 17 9/16" x 14 1/2" | 15 7/8" x 13" |
| DR1815 BUTT | 17 11/16" x 14 1/2" | 16 15/16" x 13" |
| DR18.515 BUTT | 18 3/16" x 14 1/2" | 17 3/8" x 13" |
| DR1915 | 19 1/16" x 14 1/2" | 17 3/8" x 13" |
| DR2115 | 20 9/16" x 14 1/2" | 18 7/8" x 13" |
| DR3015 WTH | 29 1/2" x 14 9/16" | 28" x 12 7/8" |
| DR3615 WTH | 35 1/2" x 14 9/16" | 34" x 12 7/8" |
| 18" HIGH | | |
| DR1218 | 11 9/16" x 17 1/2" | 9 7/8" x 16" |
| DR1218 BUTT | 11 11/16" x 17 1/2" | 10 15/16" x 16" |
| DR1318 BUTT | 13 3/16" x 17 1/2" | 12 7/16" x 16" |
| DR1518 | 14 9/16" x 17 1/2" | 12 7/8" x 16" |
| DR1518 BUTT | 14 11/16" x 17 1/2" | 13 15/16" x 16" |
| DR1618 BUTT | 16 3/16" x 17 1/2" | 15 7/16" x 16" |
| DR1818 | 17 9/16" x 17 1/2" | 15 7/8" x 16" |
| DR1818 BUTT | 17 11/16" x 17 1/2" | 16 15/16" x 16" |
| DR18.518 BUTT | 18 3/16" x 17 1/2" | 17 3/8" x 16" |
| DR1918 | 19 1/16" x 17 1/2" | 17 3/8" x 16" |
| DR2118 | 20 9/16" x 17 1/2" | 18 7/8" x 16" |
| DR3018 WTH | 29 1/2" x 17 9/16" | 28" x 15 7/8" |
| DR3618 WTH | 35 1/2" x 17 9/16" | 34" x 15 7/8" |
| 21" HIGH | | |
| DR1221V | 11 9/16" x 20" | 9 7/8" x 18 1/2" |
| DR1221V BUTT | 11 11/16" x 20" | 10 15/16" x 18 1/2" |
| DR1321V BUTT | 13 3/16" x 20" | 12 7/16" x 18 1/2" |
| DR1521 BUTT | 14 11/16" x 20" | 13 15/16" x 18 1/2" |
| DR1521V | 14 9/16" x 20" | 12 7/8" x 18 1/2" |
| DR1521V BUTT | 14 11/16" x 20" | 13 15/16" x 18 1/2" |
| DR1621 BUTT | 16 3/16" x 20" | 15 7/16" x 18 1/2" |
| DR1621V BUTT | 16 3/16" x 20" | 15 7/16" x 18 1/2" |
| DR1821 BUTT | 17 11/16" x 20" | 16 5/16" x 18 1/2" |
| DR1821V | 17 9/16" x 20" | 15 7/8" x 18 1/2" |
| DR1821V BUTT | 17 11/16" x 20" | 16 15/16" x 18 1/2" |
| DR18.521 BUTT | 18 3/16" x 20" | 17 3/8" x 18 1/2" |
| DR1921 | 19 1/16" x 20" | 17 3/8" x 18 1/2" |
| DR1921V | 19 1/16" x 20" | 17 3/8" x 18 1/2" |
| DR2121V | 20 9/16" x 20" | 18 7/8" x 18 1/2" |

| DOOR DIMENSIONS | | |
|------------------|---|---------------------|
| PART NAME | Standard, Specialty (SD) & No-Drill (ND) Doors are the same dimension | |
| | Full Overlay | Partial Overlay |
| 24" HIGH | | |
| DR1224 | 11 9/16" x 23 7/8" | 9 7/8" x 22 3/8" |
| DR1224 BUTT | 11 11/16" x 23 7/8" | 10 15/16" x 22 3/8" |
| DR1324 BUTT | 13 3/16" x 23 7/8" | 12 7/16" x 22 3/8" |
| DR1524 | 14 9/16" x 23 7/8" | 12 7/8" x 22 3/8" |
| DR1524 BUTT | 14 11/16" x 23 7/8" | 13 15/16" x 22 3/8" |
| DR1624 BUTT | 16 3/16" x 23 7/8" | 15 7/16" x 22 3/8" |
| DR1824 | 17 9/16" x 23 7/8" | 15 7/8" x 22 3/8" |
| DR1824 BUTT | 17 11/16" x 23 7/8" | 16 15/16" x 22 3/8" |
| DR18.524 BUTT | 18 3/16" x 23 7/8" | 17 3/8" x 22 3/8" |
| DR1924 | 19 1/16" x 23 7/8" | 17 3/8" x 22 3/8" |
| DR2124 | 20 9/16" x 23 7/8" | 18 7/8" x 22 3/8" |
| DR2424 | 23 9/16" x 23 7/8" | 21 7/8" x 22 3/8" |
| 27" HIGH | | |
| DR1327 BUTT | 13 3/16" x 26 1/2" | 12 7/16" x 25" |
| DR1527 BUTT | 14 11/16" x 26 1/2" | 13 15/16" x 25" |
| DR1627 BUTT | 16 3/16" x 26 1/2" | 15 7/16" x 25" |
| 30" HIGH | | |
| DR930 | 8 9/16" x 29 1/2" | 6 7/8" x 28" |
| DR930 BER DRILL | 7 3/4" x 29 7/8" | 7" x 28" |
| DR930 BER ND | 7 3/4" x 29 7/8" | 7" x 28" |
| DR1230 | 11 9/16" x 29 1/2" | 9 7/8" x 28" |
| DR1230 BUTT | 11 11/16" x 29 1/2" | 10 15/16" x 28" |
| DR1230 WER DRILL | 10 3/4" x 29 1/2" | 10" x 28" |
| DR1230 WER ND | 10 3/4" x 29 1/2" | 10" x 28" |
| DR1230 BER ND | 10 3/4" x 29 7/8" | 10" x 28" |
| DR1230 BER DRILL | 10 3/4" x 29 7/8" | 10" x 28" |
| DR1330 BUTT | 13 3/16" x 29 1/2" | 12 7/16" x 28" |
| DR1530 | 14 9/16" x 29 1/2" | 12 7/8" x 28" |
| DR1530 BUTT | 14 11/16" x 29 1/2" | 13 15/16" x 28" |
| DR1630 BUTT | 16 3/16" x 29 1/2" | 15 7/16" x 28" |
| DR1830 | 17 9/16" x 29 1/2" | 15 7/8" x 28" |
| DR1830 BUTT | 17 11/16" x 29 1/2" | 16 15/16" x 28" |
| DR1930 | 19 1/16" x 29 1/2" | 17 3/8" x 28" |
| DR2130 | 20 9/16" x 29 1/2" | 18 7/8" x 28" |
| DR2430 | 23 9/16" x 29 1/2" | 21 7/8" x 28" |
| 36" HIGH | | |
| DR936 | 8 9/16" x 35 1/2" | 6 7/8" x 34" |
| DR1236 | 11 9/16" x 35 1/2" | 9 7/8" x 34" |
| DR1236 BUTT | 11 11/16" x 35 1/2" | 10 15/16" x 34" |
| DR1236 WER DRILL | 10 3/4" x 35 1/2" | 10" x 34" |
| DR1236 WER ND | 10 3/4" x 35 1/2" | 10" x 34" |
| DR1336 BUTT | 13 3/16" x 35 1/2" | 12 7/16" x 34" |
| DR1536 | 14 9/16" x 35 1/2" | 12 7/8" x 34" |
| DR1536 BUTT | 14 11/16" x 35 1/2" | 13 15/16" x 34" |
| DR1636 BUTT | 16 3/16" x 35 1/2" | 15 7/16" x 34" |
| DR1836 | 17 9/16" x 35 1/2" | 15 7/8" x 34" |
| DR1836 BUTT | 17 11/16" x 35 1/2" | 16 15/16" x 34" |
| DR2136 | 20 9/16" x 35 1/2" | 18 7/8" x 34" |

| DOOR DIMENSIONS | | |
|-------------------------------|---|---------------------|
| PART NAME | Standard, Specialty (SD) & No-Drill (ND) Doors are the same dimension | |
| | Full Overlay | Partial Overlay |
| 39" HIGH | | |
| DR939 | 8 9/16" x 38 1/2" | 6 7/8" x 37" |
| DRI239 | 11 9/16" x 38 1/2" | 9 7/8" x 37" |
| DRI239 BUTT | 11 11/16" x 38 1/2" | 10 15/16" x 37" |
| DRI239 WER DRILL | 10 3/4" x 38 1/2" | 10" x 37" |
| DRI239 WER ND | 10 3/4" x 38 1/2" | 10" x 37" |
| DRI339 BUTT | 13 3/16" x 38 1/2" | 12 7/16" x 37" |
| DRI539 | 14 9/16" x 38 1/2" | 12 7/8" x 37" |
| DRI539 BUTT | 14 11/16" x 38 1/2" | 13 15/16" x 37" |
| DRI639 BUTT | 16 3/16" x 38 1/2" | 15 7/16" x 37" |
| DRI839 | 17 9/16" x 38 1/2" | 15 7/8" x 37" |
| DRI839 BUTT | 17 11/16" x 38 1/2" | 16 15/16" x 37" |
| DR2139 | 20 9/16" x 38 1/2" | 18 7/8" x 37" |
| 42" HIGH | | |
| DR942 | 8 9/16" x 41 1/2" | 6 7/8" x 40" |
| DRI242 | 11 9/16" x 41 1/2" | 9 7/8" x 40" |
| DRI242 BUTT | 11 11/16" x 41 1/2" | 10 15/16" x 40" |
| DRI242 WER DRILL | 10 3/4" x 41 1/2" | 10" x 40" |
| DRI242 WER ND | 10 3/4" x 41 1/2" | 10" x 40" |
| DRI342 BUTT | 13 3/16" x 41 1/2" | 12 7/16" x 40" |
| DRI542 | 14 9/16" x 41 1/2" | 12 7/8" x 40" |
| DRI542 BUTT | 14 11/16" x 41 1/2" | 13 15/16" x 40" |
| DRI642 BUTT | 16 3/16" x 41 1/2" | 15 7/16" x 40" |
| DRI842 | 17 9/16" x 41 1/2" | 15 7/8" x 40" |
| DRI842 BUTT | 17 11/16" x 41 1/2" | 16 15/16" x 40" |
| DR2142 | 20 9/16" x 41 1/2" | 18 7/8" x 40" |
| 50" HIGH | | |
| DRI250 | 11 9/16" x 49 1/4" | 9 7/8" x 47 3/4" |
| DRI250 | 11 9/16" x 49 1/4" | 9 7/8" x 47 3/4" |
| DRI250 BUTT | 11 11/16" x 49 1/4" | 10 15/16" x 47 3/4" |
| DRI350 BUTT | 13 3/16" x 49 1/4" | 12 7/16" x 47 3/4" |
| DRI550 | 14 9/16" x 49 1/4" | 12 7/8" x 47 3/4" |
| DRI550 BUTT | 14 11/16" x 49 1/4" | 13 15/16" x 47 3/4" |
| DRI650 BUTT | 16 3/16" x 49 1/4" | 15 7/16" x 47 3/4" |
| DRI850 | 17 9/16" x 49 1/4" | 15 7/8" x 47 3/4" |
| DRI850 BUTT | 17 11/16" x 49 1/4" | 16 15/16" x 47 3/4" |
| DR2150 | 20 9/16" x 49 1/4" | 18 7/8" x 47 3/4" |
| FULL-HEIGHT DOORS | | |
| DR9FH | 8 9/16" x 29 7/8" | - |
| DRI2FH | 11 9/16" x 29 7/8" | - |
| DRI2BUTT FH | 11 11/16" x 29 7/8" | - |
| DRI3BUTT FH | 13 3/16" x 29 7/8" | - |
| DRI5FH | 14 9/16" x 29 7/8" | - |
| DRI5BUTT FH | 14 11/16" x 29 7/8" | - |
| DRI6BUTT FH | 16 3/16" x 29 7/8" | - |
| DRI8FH | 17 9/16" x 29 7/8" | - |
| DRI8BUTT FH | 17 11/16" x 29 7/8" | - |
| DR21FH | 20 9/16" x 29 7/8" | - |
| DR24FH | 23 9/16" x 29 7/8" | - |
| DRCBS36 | 14 9/16" x 29 7/8" | 12 7/8" x 28" |
| MEDICINE CABINET DOORS | | |
| DRMCM1530 | 14 9/16" x 29 1/2" | 12 7/8" x 28" |
| MIRROR TV3030 | 8 13/16" x 26 1/2" | 8 13/16" x 26 1/2" |
| MIRROR TV3630 | 10 13/16" x 26 1/2" | 10 13/16" x 26 1/2" |

| DOOR DIMENSIONS | | |
|------------------------|---|-------------------|
| PART NAME | Standard, Specialty (SD) & No-Drill (ND) Doors are the same dimension | |
| | Full Overlay | Partial Overlay |
| DECORATOR DOORS | | |
| DMDB | 23 9/16" x 29 7/8" | 21 7/8" x 28" |
| DMDBEA12 | 11 9/16" x 29 7/8" | 9 7/8" x 28" |
| DMDD21 | 20 9/16" x 23 7/8" | 18 7/8" x 22 3/8" |
| DMDD24 | 23 9/16" x 23 7/8" | 21 7/8" x 22 3/8" |
| DMDW18 | 11 9/16" x 17 1/2" | 9 7/8" x 16" |
| DMDW24 | 11 9/16" x 23 7/8" | 9 7/8" x 22 3/8" |
| DMDW30 | 11 9/16" x 29 1/2" | 9 7/8" x 28" |
| DMDW36 | 11 9/16" x 35 1/2" | 9 7/8" x 34" |
| DMDW39 | 11 9/16" x 38 1/2" | 9 7/8" x 37" |
| DMDW42 | 11 9/16" x 41 1/2" | 9 7/8" x 40" |
| DMDV | 20 9/16" x 20" | 18 7/8" x 17 7/8" |
| | 20 9/16" x 5 13/16" | 18 7/8" x 5 1/8" |
| DMDT8412 | 11 9/16" x 29 1/2" | 9 7/8" x 28" |
| | 11 9/16" x 49 1/4" | 9 7/8" x 47 3/4" |
| DMDT8424 | 11 9/16" x 29 1/2" | 9 7/8" x 28" |
| | 11 9/16" x 49 1/4" | 9 7/8" x 47 3/4" |
| DMDT9012 | 11 9/16" x 35 1/2" | 9 7/8" x 34" |
| | 11 9/16" x 49 1/4" | 9 7/8" x 47 3/4" |
| DMDT9024 | 11 9/16" x 35 1/2" | 9 7/8" x 34" |
| | 11 9/16" x 49 1/4" | 9 7/8" x 47 3/4" |
| DMDT9312 | 11 9/16" x 38 1/2" | 9 7/8" x 37" |
| | 11 9/16" x 49 1/4" | 9 7/8" x 47 3/4" |
| DMDT9324 | 11 9/16" x 38 1/2" | 9 7/8" x 37" |
| | 11 9/16" x 49 1/4" | 9 7/8" x 47 3/4" |
| DMDT9612 | 11 9/16" x 41 1/2" | 9 7/8" x 40" |
| | 11 9/16" x 49 1/4" | 9 7/8" x 47 3/4" |
| DMDT9624 | 11 9/16" x 41 1/2" | 9 7/8" x 40" |
| | 11 9/16" x 49 1/4" | 9 7/8" x 47 3/4" |

PARTS DIRECTORY: Drawer Body Dimensions

| DRAWER BODY DIMENSIONS | |
|------------------------|-----------------------------|
| PART NAME | Dimensions (W x H x D) |
| | STANDARD DRAWERS |
| 21" DEEP | |
| DRB12 X 21DP DT FD | 8 1/16" x 3 1/2" x 21" |
| DRB15 X 21DP DT FD | 11 1/16" x 3 1/2" x 21" |
| DRB18 X 21DP DT FD | 14 1/16" x 3 1/2" x 21" |
| DRB19 X 21DP DT FD | 15 9/16" x 3 1/2" x 21" |
| DRB21 X 21DP DT FD | 17 1/16" x 3 1/2" x 21" |
| DRB24 X 21DP DT FD | 20 1/16" x 3 1/2" x 21" |
| DRB27 X 21DP DT FD | 23 1/16" x 3 1/2" x 21" |
| DRB30 X 21DP DT FD | 26 1/16" x 3 1/2" x 21" |
| DRB33 X 21DP DT FD | 29 1/16" x 3 1/2" x 21" |
| DRB36 X 21DP DT FD | 32 1/16" x 3 1/2" x 21" |
| 18" DEEP | |
| DRB10 X 18DP DT FD | 7 1/16" x 3 1/2" x 18" |
| DRB12 X 18DP DT FD | 8 1/16" x 3 1/2" x 18" |
| DRB15 X 18DP DT FD | 11 1/16" x 3 1/2" x 18" |
| DRB18 X 18DP DT FD | 14 1/16" x 3 1/2" x 18" |
| DRB19 X 18DP DT FD | 15 9/16" x 3 1/2" x 18" |
| DRB21 X 18DP DT FD | 17 1/16" x 3 1/2" x 18" |
| DRB24 X 18DP DT FD | 20 1/16" x 3 1/2" x 18" |
| DRB27 X 18DP DT FD | 23 1/16" x 3 1/2" x 18" |
| DRB30 X 18DP DT FD | 26 1/16" x 3 1/2" x 18" |
| DRB33 X 18DP DT FD | 29 1/16" x 3 1/2" x 18" |
| DRB36 X 18DP DT FD | 32 1/16" x 3 1/2" x 18" |
| 15" DEEP | |
| DRB10 X 15DP DT FD | 7 1/16" x 3 1/2" x 15" |
| DRB12 X 15DP DT FD | 8 1/16" x 3 1/2" x 15" |
| DRB15 X 15DP DT FD | 11 1/16" x 3 1/2" x 15" |
| DRB18 X 15DP DT FD | 14 1/16" x 3 1/2" x 15" |
| DRB19 X 15DP DT FD | 15 9/16" x 3 1/2" x 15" |
| DRB21 X 15DP DT FD | 17 1/16" x 3 1/2" x 15" |
| DRB24 X 15DP DT FD | 20 1/16" x 3 1/2" x 15" |
| DRB27 X 15DP DT FD | 23 1/16" x 3 1/2" x 15" |
| DRB30 X 15DP DT FD | 26 1/16" x 3 1/2" x 15" |
| DRB33 X 15DP DT FD | 29 1/16" x 3 1/2" x 15" |
| DRB36 X 15DP DT FD | 32 1/16" x 3 1/2" x 15" |
| 9" DEEP | |
| DRB10 X 9DP DT FD | 7 1/16" x 3 1/2" x 9 7/16" |
| DRB12 X 9DP DT FD | 8 1/16" x 3 1/2" x 9 7/16" |
| DRB15 X 9DP DT FD | 11 1/16" x 3 1/2" x 9 7/16" |
| DRB18 X 9DP DT FD | 14 1/16" x 3 1/2" x 9 7/16" |
| DRB19 X 9DP DT FD | 15 9/16" x 3 1/2" x 9 7/16" |
| DRB21 X 9DP DT FD | 17 1/16" x 3 1/2" x 9 7/16" |
| DRB24 X 9DP DT FD | 20 1/16" x 3 1/2" x 9 7/16" |
| DRB27 X 9DP DT FD | 23 1/16" x 3 1/2" x 9 7/16" |
| DRB30 X 9DP DT FD | 26 1/16" x 3 1/2" x 9 7/16" |
| DRB33 X 9DP DT FD | 29 1/16" x 3 1/2" x 9 7/16" |
| DRB36 X 9DP DT FD | 32 1/16" x 3 1/2" x 9 7/16" |

| DRAWER BODY DIMENSIONS | |
|------------------------|------------------------|
| PART NAME | Dimensions (W x H x D) |
| | LARGE DRAWERS |
| 21" DEEP | |
| DRB12M X 21DP DT FD | 8 1/16" x 7" x 21" |
| DRB15M X 21DP DT FD | 11 1/16" x 7" x 21" |
| DRB18M X 21DP DT FD | 14 1/16" x 7" x 21" |
| DRB21M X 21DP DT FD | 17 1/16" x 7" x 21" |
| DRB24M X 21DP DT FD | 20 1/16" x 7" x 21" |
| DRB27M X 21DP DT FD | 23 1/16" x 7" x 21" |
| DRB30M X 21DP DT FD | 26 1/16" x 7" x 21" |
| DRB33M X 21DP DT FD | 29 1/16" x 7" x 21" |
| DRB36M X 21DP DT FD | 32 1/16" x 7" x 21" |
| 18" DEEP | |
| DRB12M X 18DP DT FD | 8 1/16" x 7" x 18" |
| DRB15M X 18DP DT FD | 11 1/16" x 7" x 18" |
| DRB18M X 18DP DT FD | 14 1/16" x 7" x 18" |
| DRB21M X 18DP DT FD | 17 1/16" x 7" x 18" |
| DRB24M X 18DP DT FD | 20 1/16" x 7" x 18" |
| DRB27M X 18DP DT FD | 23 1/16" x 7" x 18" |
| DRB30M X 18DP DT FD | 26 1/16" x 7" x 18" |
| DRB33M X 18DP DT FD | 29 1/16" x 7" x 18" |
| DRB36M X 18DP DT FD | 32 1/16" x 7" x 18" |
| 15" DEEP | |
| DRB12M X 15DP DT FD | 8 1/16" x 7" x 15" |
| DRB15M X 15DP DT FD | 11 1/16" x 7" x 15" |
| DRB18M X 15DP DT FD | 14 1/16" x 7" x 15" |
| DRB21M X 15DP DT FD | 17 1/16" x 7" x 15" |
| DRB24M X 15DP DT FD | 20 1/16" x 7" x 15" |
| DRB27M X 15DP DT FD | 23 1/16" x 7" x 15" |
| DRB30M X 15DP DT FD | 26 1/16" x 7" x 15" |
| DRB33M X 15DP DT FD | 29 1/16" x 7" x 15" |
| DRB36M X 15DP DT FD | 32 1/16" x 7" x 15" |
| 9" DEEP | |
| DRB12M X 9DP DT FD | 8 1/16" x 7" x 9" |
| DRB15M X 9DP DT FD | 11 1/16" x 7" x 9" |
| DRB18M X 9DP DT FD | 14 1/16" x 7" x 9" |
| DRB21M X 9DP DT FD | 17 1/16" x 7" x 9" |
| DRB24M X 9DP DT FD | 20 1/16" x 7" x 9" |
| DRB27M X 9DP DT FD | 23 1/16" x 7" x 9" |
| DRB30M X 9DP DT FD | 26 1/16" x 7" x 9" |
| DRB33M X 9DP DT FD | 29 1/16" x 7" x 9" |
| DRB36M X 9DP DT FD | 32 1/16" x 7" x 9" |

| DRAWER BODY DIMENSIONS | |
|--|-------------------------------|
| PART NAME | Dimensions (W x H x D) |
| | MISCELLANEOUS DRAWERS |
| TWO DRAWER BASE | |
| DRB21 HD X 21DPDTFD | 17 1/32" x 7 3/8" x 21" |
| DRB24 HD X 21DPDTFD | 20 1/32" x 7 3/8" x 21" |
| DRB27 HD X 21DPDTFD | 23 1/32" x 7 3/8" x 21" |
| DRB30 HD X 21DPDTFD | 26 1/32" x 7 3/8" x 21" |
| DRB33 HD X 21DPDTFD | 29 1/32" x 7 3/8" x 21" |
| DRB36 HD X 21DPDTFD | 32 1/32" x 7 3/8" x 21" |
| KNEEHOLE DRAWERS | |
| DRBKDC27X 15DP DT FD | 16 23/32" x 2 11/32" x 15" |
| DRBKDC33X 15DP DT FD | 22 23/32" x 2 11/32" x 15" |
| DRBKDC36X 15DP DT FD | 28 23/32" x 2 11/32" x 15" |
| SPICE DRAWERS | |
| DRB6 BSDC6 | 4 29/32" x 4 3/4" x 22 15/16" |
| DRB6 SDC30 | 4 29/32" x 4 3/4" x 10 15/16" |
| WOOD TIERED CUTLERY DIVIDER DRAWERS | |
| WTCDFD15 | 11 1/16" x 3 15/32" x 21" |
| WTCDFD18 | 14 1/16" x 3 15/32" x 21" |
| WTCDFD21 | 17 1/16" x 3 15/32" x 21" |
| WTCDFD24 | 20 1/16" x 3 15/32" x 21" |

PARTS DIRECTORY: Shelf/Accessory Dimensions

| SHELF DIMENSIONS | |
|-------------------------------|----------------------------|
| PART NAME | Dimensions |
| 12" DEEP | |
| 9" SHELF 3/4 | 7 1/4" x 10 1/4" x 3/4" |
| 12" SHELF 3/4 | 10 1/4" x 10 1/4" x 3/4" |
| 15" SHELF 3/4 | 13 1/4" x 10 1/4" x 3/4" |
| 18" SHELF 3/4 | 16 1/4" x 10 1/4" x 3/4" |
| 21" SHELF 3/4 | 19 1/4" x 10 1/4" x 3/4" |
| 24" SHELF 3/4 | 22 1/4" x 10 1/4" x 3/4" |
| 27" SHELF 3/4 | 25 1/4" x 10 1/4" x 3/4" |
| 30" SHELF 3/4 | 28 1/4" x 10 1/4" x 3/4" |
| 33" SHELF 3/4 | 31 1/4" x 10 1/4" x 3/4" |
| 36" SHELF 3/4 | 34 1/4" x 10 1/4" x 3/4" |
| 39" SHELF 3/4 | 37 1/4" x 10 1/4" x 3/4" |
| 42" SHELF 3/4 | 40 1/4" x 10 1/4" x 3/4" |
| 45" SHELF 3/4 | 43 1/4" x 10 1/4" x 3/4" |
| 48" SHELF 3/4 | 46 1/4" x 10 1/4" x 3/4" |
| 21" DEEP | |
| 12" SHELF 21DP 3/4 | 10 3/16" x 18 7/8" x 3/4" |
| 15" SHELF 21DP 3/4 | 13 3/16" x 18 7/8" x 3/4" |
| 18" SHELF 21DP 3/4 | 16 3/16" x 18 7/8" x 3/4" |
| 21" SHELF 21DP 3/4 | 19 3/16" x 18 7/8" x 3/4" |
| 24" SHELF 21DP 3/4 | 22 3/16" x 18 7/8" x 3/4" |
| 24" DEEP | |
| 9" SHELF 24 DP 3/4 | 7 13/16" x 3/4" x 22 1/8" |
| 12" SHELF 24DP 3/4 | 10 3/16" x 3/4" x 22 1/8" |
| 15" SHELF 24DP 3/4 | 13 3/16" x 3/4" x 22 1/8" |
| 18" SHELF 24DP 3/4 | 16 3/16" x 3/4" x 22 1/8" |
| 21" SHELF 24DP 3/4 | 19 3/16" x 3/4" x 22 1/8" |
| 24" SHELF 24DP 3/4 | 22 3/16" x 3/4" x 22 1/8" |
| 27" SHELF 24DP 3/4 | 25 3/16" x 3/4" x 22 1/8" |
| 30" SHELF 24DP 3/4 | 28 3/16" x 3/4" x 22 1/8" |
| 33" SHELF 24DP 3/4 | 31 3/16" x 3/4" x 22 1/8" |
| 36" SHELF 24DP 3/4 | 34 3/16" x 3/4" x 22 1/8" |
| 37" SHELF 24DP 3/4 | 35 3/16" x 3/4" x 22 1/8" |
| 39" SHELF 24DP 3/4 | 37 3/16" x 3/4" x 22 1/8" |
| 42" SHELF 24DP 3/4 | 40 3/16" x 3/4" x 22 1/8" |
| 45" SHELF 24DP 3/4 | 43 3/16" x 3/4" x 22 1/8" |
| 48" SHELF 24DP 3/4 | 46 3/16" x 3/4" x 22 1/8" |
| PENINSULA BASE SHELVES | |
| 12" SHELF PB 3/4 | 10 3/16" x 22 1/8" x 3/4" |
| 18" SHELF PB 3/4 | 16 3/16" x 22 1/8" x 3/4" |
| 24" SHELF PB 3/4 | 22 3/16" x 22 1/8" x 3/4" |
| 30" SHELF PB 3/4 | 28 3/16" x 22 1/8" x 3/4" |
| 36" SHELF PB 3/4 | 34 3/16" x 22 1/8" x 3/4" |
| 42" SHELF PB 3/4 | 40 3/16" x 22 1/8" x 3/4" |
| MISCELLANEOUS SHELVES | |
| BS18 SHELF _PK | 16 1/4" x 10 1/4" x 23/32" |
| BS24 SHELF _PK | 22 1/4" x 10 1/4" x 23/32" |
| BS30 SHELF _PK | 28 1/4" x 10 1/4" x 23/32" |
| BS36 SHELF _PK | 34 1/4" x 10 1/4" x 23/32" |
| TV30 SHELF 9 | 8 7/8" x 3" x 1/2" |
| TV30 SHELF 18 | 17 9/32" x 3" x 1/2" |
| TV36 SHELF 11 | 10 7/8" x 3" x 1/2" |
| TV36 SHELF 22 | 21 9/32" x 3" x 1/2" |
| WMSC2718 TOP SHELF | 25 1/4" x 16 1/4" x 3/4" |

| SHELF DIMENSIONS | |
|-----------------------------|---------------------------|
| PART NAME | Dimensions |
| TALL CABINET SHELVES | |
| S1212 | 10 1/4" x 10 1/4" x 3/4" |
| S1512 | 13 1/4" x 10 1/4" x 3/4" |
| S1812 | 16 1/4" x 10 1/4" x 3/4" |
| S2112 | 19 1/4" x 10 1/4" x 3/4" |
| S2412 | 22 1/4" x 10 1/4" x 3/4" |
| S3612 | 34 1/4" x 10 1/4" x 3/4" |
| SI221 | 10 3/16" x 18 7/8" x 3/4" |
| SI521 | 13 3/16" x 18 7/8" x 3/4" |
| SI821 | 16 3/16" x 18 7/8" x 3/4" |
| S2421 | 22 3/16" x 18 7/8" x 3/4" |
| SI224 | 10 3/16" x 22 1/8" x 3/4" |
| SI524 | 13 3/16" x 22 1/8" x 3/4" |
| SI824 | 16 3/16" x 22 1/8" x 3/4" |
| S2124 | 19 1/4" x 22 1/8" x 3/4" |
| S2424 | 22 3/16" x 22 1/8" x 3/4" |
| S2724 | 25 3/16" x 22 1/8" x 3/4" |
| S3024 | 28 3/16" x 22 1/8" x 3/4" |
| S3324 | 31 3/16" x 22 1/8" x 3/4" |
| S3624 | 34 3/16" x 22 1/8" x 3/4" |

| ROLL-OUT/ACCESSORY DIMENSIONS | |
|--------------------------------------|------------------------|
| PART NAME | Dimensions |
| DEEP ROLL-OUT TRAYS | |
| DROT12 | 7 3/4" x 3 1/2" x 21" |
| DROT15 | 10 3/4" x 3 1/2" x 21" |
| DROT18 | 13 3/4" x 3 1/2" x 21" |
| DROT19 | 15 1/4" x 3 1/2" x 21" |
| DROT21 | 16 3/4" x 3 1/2" x 21" |
| DROT24 | 19 3/4" x 3 1/2" x 21" |
| DROT27 | 22 3/4" x 3 1/2" x 21" |
| DROT30 | 25 3/4" x 3 1/2" x 21" |
| DROT33 | 28 3/4" x 3 1/2" x 21" |
| DROT36 | 31 3/4" x 3 1/2" x 21" |
| DROT1221 | 7 3/4" x 3 1/2" x 18" |
| DROT1521 | 10 3/4" x 3 1/2" x 18" |
| DROT1821 | 13 3/4" x 3 1/2" x 18" |
| DROT2421 | 19 3/4" x 3 1/2" x 18" |
| SCALLOPED DEEP ROLL-OUT TRAYS | |
| SDROT21 | 16 3/4" x 3 3/8" x 21" |
| SDROT24 | 19 3/4" x 3 1/2" x 21" |
| SDROT27 | 22 3/4" x 3 1/2" x 21" |
| SDROT30 | 25 3/4" x 3 1/2" x 21" |
| SDROT33 | 28 3/4" x 3 1/2" x 21" |
| SDROT36 | 31 3/4" x 3 1/2" x 21" |
| BASE POT & PAN ORGANIZERS | |
| BPPOK24 | 19 3/4" x 19" x 21" |
| BPPOK27 | 22 3/4" x 19" x 21" |
| BPPOK30 | 25 3/4" x 19" x 21" |
| BPPOK33 | 28 3/4" x 19" x 21" |
| BPPOK36 | 31 3/4" x 19" x 21" |
| ROLL-OUT TRAY DIVIDERS | |
| ROTDKI2 | 7 3/4" x 21" |
| ROTDKI5 | 10 3/4" x 21" |
| PANTRY STORAGE KITS | |
| PCKS36 | 25 5/8" x 45" x 7 1/2" |
| PDSK18 | 12" x 45" x 4" |

PARTS: DIMENSIONS

PARTS DIRECTORY: Glass Dimensions

| PART NAME | DECORATIVE GLASS INSERT DIMENSIONS | | | |
|-----------------|---|--------------------|---------------------|-------------------|
| | 20, 28, 29, 30, 44, 47, 69, 70, 74, 75, 78, 79, 1 | 35, 54, 57, 58 | 39, 40, 42 | 08, 19 |
| 12" WIDE | | | | |
| DGI-1212 | 8" x 7 15/16" | 6 5/16" x 6 3/8" | 6 5/16" x 6 3/8" | 6 5/16" x 6 3/8" |
| DGI-1212 BUTT | 8" x 7 15/16" | 6 9/16" x 6 3/8" | 6 5/16" x 6 3/8" | 7 3/8" x 6 3/8" |
| DGI-1215 | 8" x 10 15/16" | 6 5/16" x 9 3/8" | 6 5/16" x 9 3/8" | 6 5/16" x 9 3/8" |
| DGI-1215 BUTT | 8" x 10 15/16" | 6 9/16" x 9 3/8" | 6 5/16" x 9 3/8" | 7 3/8" x 9 3/8" |
| DGI-1218 | 8" x 13 15/16" | 6 5/16" x 12 3/8" | 6 5/16" x 12 3/8" | 6 5/16" x 12 3/8" |
| DGI-1218 BUTT | 8" x 13 15/16" | 6 9/16" x 12 3/8" | 6 5/16" x 12 3/8" | 7 3/8" x 12 3/8" |
| DGI-1224 | 8" x 20 5/16" | 6 5/16" x 18 3/4" | 6 5/16" x 18 3/4" | 6 5/16" x 18 3/4" |
| DGI-1224 BUTT | 8" x 20 5/16" | 6 9/16" x 18 3/4" | 6 5/16" x 18 3/4" | 7 3/8" x 18 3/4" |
| DGI-1230 | 8" x 25 15/16" | 6 5/16" x 24 3/8" | 6 5/16" x 24 3/8" | 6 5/16" x 24 3/8" |
| DGI-1230 BUTT | 8" x 25 15/16" | 6 9/16" x 24 3/8" | 6 5/16" x 24 3/8" | 7 3/8" x 24 3/8" |
| DGI-1236 | 8" x 31 15/16" | 6 5/16" x 30 3/8" | 6 5/16" x 30 3/8" | 6 5/16" x 30 3/8" |
| DGI-1236 BUTT | 8" x 31 15/16" | 6 9/16" x 30 3/8" | 6 5/16" x 30 3/8" | 7 3/8" x 30 3/8" |
| DGI-1239 | 8" x 34 15/16" | 6 5/16" x 33 3/8" | 6 5/16" x 33 3/8" | 6 5/16" x 33 3/8" |
| DGI-1239 BUTT | 8" x 34 15/16" | 6 9/16" x 33 3/8" | 6 5/16" x 33 3/8" | 7 3/8" x 33 3/8" |
| DGI-1242 | 8" x 37 15/16" | 6 5/16" x 36 3/8" | 6 5/16" x 36 3/8" | 6 5/16" x 36 3/8" |
| DGI-1242 BUTT | 8" x 37 15/16" | 6 9/16" x 36 3/8" | 6 5/16" x 36 3/8" | 7 3/8" x 36 3/8" |
| 13" WIDE | | | | |
| DGI-1312 BUTT | 9 1/2" x 7 15/16" | 8 1/16" x 6 3/8" | 7 13/16" x 6 3/8" | 8 7/8" x 6 3/8" |
| DGI-1315 BUTT | 9 1/2" x 10 15/16" | 8 1/16" x 9 3/8" | 7 13/16" x 9 3/8" | 8 7/8" x 9 3/8" |
| DGI-1318 BUTT | 9 1/2" x 13 15/16" | 8 1/16" x 12 3/8" | 7 13/16" x 12 3/8" | 8 7/8" x 12 3/8" |
| DGI-1324 BUTT | 9 1/2" x 20 5/16" | 8 1/16" x 18 3/4" | 7 13/16" x 18 3/4" | 8 7/8" x 18 3/4" |
| DGI-1330 BUTT | 9 1/2" x 25 15/16" | 8 1/16" x 24 3/8" | 7 13/16" x 24 3/8" | 8 7/8" x 24 3/8" |
| DGI-1336 BUTT | 9 1/2" x 31 15/16" | 8 1/16" x 30 3/8" | 7 13/16" x 30 3/8" | 8 7/8" x 30 3/8" |
| DGI-1339 BUTT | 9 1/2" x 34 15/16" | 8 1/16" x 33 3/8" | 7 13/16" x 33 3/8" | 8 7/8" x 33 3/8" |
| DGI-1342 BUTT | 9 1/2" x 37 15/16" | 8 1/16" x 36 3/8" | 7 13/16" x 36 3/8" | 8 7/8" x 36 3/8" |
| 15" WIDE | | | | |
| DGI-1512 | 11" x 7 15/16" | 9 5/16" x 6 3/8" | 9 5/16" x 6 3/8" | 9 5/16" x 6 3/8" |
| DGI-1512 BUTT | 11" x 7 15/16" | 9 9/16" x 6 3/8" | 9 5/16" x 6 3/8" | 10 3/8" x 6 3/8" |
| DGI-1515 | 11" x 10 15/16" | 9 5/16" x 9 3/8" | 9 5/16" x 9 3/8" | 9 5/16" x 9 3/8" |
| DGI-1515 BUTT | 11" x 10 15/16" | 9 9/16" x 9 3/8" | 9 5/16" x 9 3/8" | 10 3/8" x 9 3/8" |
| DGI-1518 | 11" x 13 15/16" | 9 5/16" x 12 3/8" | 9 5/16" x 12 3/8" | 9 5/16" x 12 3/8" |
| DGI-1518 BUTT | 11" x 13 15/16" | 9 9/16" x 12 3/8" | 9 5/16" x 12 3/8" | 10 3/8" x 12 3/8" |
| DGI-1521 BUTT | 11" x 16 7/16" | 9 9/16" x 14 7/8" | 9 5/16" x 14 7/8" | 10 3/8" x 14 7/8" |
| DGI-1524 | 11" x 20 5/16" | 9 5/16" x 18 3/4" | 9 5/16" x 18 3/4" | 9 5/16" x 18 3/4" |
| DGI-1524 BUTT | 11" x 20 5/16" | 9 9/16" x 18 3/4" | 9 5/16" x 18 3/4" | 10 3/8" x 18 3/4" |
| DGI-1527 BUTT | 11" x 22 15/16" | 9 9/16" x 21 3/8" | 9 5/16" x 21 3/8" | 10 3/8" x 21 3/8" |
| DGI-1530 | 11" x 25 15/16" | 9 5/16" x 24 3/8" | 9 5/16" x 24 3/8" | 9 5/16" x 24 3/8" |
| DGI-1530 BUTT | 11" x 25 15/16" | 9 9/16" x 24 3/8" | 9 5/16" x 24 3/8" | 10 3/8" x 24 3/8" |
| DGI-1536 | 11" x 31 15/16" | 9 5/16" x 30 3/8" | 9 5/16" x 30 3/8" | 9 5/16" x 30 3/8" |
| DGI-1536 BUTT | 11" x 31 15/16" | 9 9/16" x 30 3/8" | 9 5/16" x 30 3/8" | 10 3/8" x 30 3/8" |
| DGI-1539 | 11" x 34 15/16" | 9 5/16" x 33 3/8" | 9 5/16" x 33 3/8" | 9 5/16" x 33 3/8" |
| DGI-1539 BUTT | 11" x 34 15/16" | 9 9/16" x 33 3/8" | 9 5/16" x 33 3/8" | 10 3/8" x 33 3/8" |
| DGI-1542 | 11" x 37 15/16" | 9 5/16" x 36 3/8" | 9 5/16" x 36 3/8" | 9 5/16" x 36 3/8" |
| DGI-1542 BUTT | 11" x 37 15/16" | 9 9/16" x 36 3/8" | 9 5/16" x 36 3/8" | 10 3/8" x 36 3/8" |
| 16" WIDE | | | | |
| DGI-1612 BUTT | 12 1/2" x 7 15/16" | 11 1/16" x 6 3/8" | 10 13/16" x 6 3/8" | 11 7/8" x 6 3/8" |
| DGI-1615 BUTT | 12 1/2" x 10 15/16" | 11 1/16" x 9 3/8" | 10 13/16" x 9 3/8" | 11 7/8" x 9 3/8" |
| DGI-1618 BUTT | 12 1/2" x 13 15/16" | 11 1/16" x 12 3/8" | 10 13/16" x 12 3/8" | 11 7/8" x 12 3/8" |
| DGI-1621 BUTT | 12 1/2" x 16 7/16" | 11 1/16" x 14 7/8" | 10 13/16" x 14 7/8" | 11 7/8" x 14 7/8" |
| DGI-1624 BUTT | 12 1/2" x 20 5/16" | 11 1/16" x 18 3/4" | 10 13/16" x 18 3/4" | 11 7/8" x 18 3/4" |
| DGI-1630 BUTT | 12 1/2" x 25 15/16" | 11 1/16" x 24 3/8" | 10 13/16" x 24 3/8" | 11 7/8" x 24 3/8" |
| DGI-1636 BUTT | 12 1/2" x 31 15/16" | 11 1/16" x 30 3/8" | 10 13/16" x 30 3/8" | 11 7/8" x 30 3/8" |
| DGI-1639 BUTT | 12 1/2" x 34 15/16" | 11 1/16" x 33 3/8" | 10 13/16" x 33 3/8" | 11 7/8" x 33 3/8" |
| DGI-1642 BUTT | 12 1/2" x 37 15/16" | 11 1/16" x 36 3/8" | 10 13/16" x 36 3/8" | 11 7/8" x 36 3/8" |

| PART NAME | DECORATIVE GLASS INSERT DIMENSIONS | | | |
|---------------------|--|---------------------|---------------------|---------------------|
| | 20, 28, 29, 30, 44, 47, 69, 70, 74, 75, 78, 79, I | 35, 54, 57, 58 | 39, 40, 42 | 08, 19 |
| 18" WIDE | | | | |
| DGI-1812 | 14" x 7 15/16" | 12 5/16" x 6 3/8" | 12 5/16" x 6 3/8" | 12 5/16" x 6 3/8" |
| DGI-1812 BUTT | 14" x 7 15/16" | 12 9/16" x 6 3/8" | 12 5/16" x 6 3/8" | 13 3/8" x 6 3/8" |
| DGI-1815 | 14" x 10 15/16" | 12 5/16" x 9 3/8" | 12 5/16" x 9 3/8" | 12 5/16" x 9 3/8" |
| DGI-1815 BUTT | 14" x 10 15/16" | 12 9/16" x 9 3/8" | 12 5/16" x 9 3/8" | 13 3/8" x 9 3/8" |
| DGI-1818 | 14" x 13 15/16" | 12 5/16" x 12 3/8" | 12 5/16" x 12 3/8" | 12 5/16" x 12 3/8" |
| DGI-1818 BUTT | 14" x 13 15/16" | 12 9/16" x 12 3/8" | 12 5/16" x 12 3/8" | 13 3/8" x 12 3/8" |
| DGI-1821 BUTT | 14" x 16 7/16" | 12 9/16" x 14 7/8" | 12 5/16" x 14 7/8" | 13 3/8" x 14 7/8" |
| DGI-1824 | 14" x 20 5/16" | 12 5/16" x 18 3/4" | 12 5/16" x 18 3/4" | 12 5/16" x 18 3/4" |
| DGI-1824 BUTT | 14" x 20 5/16" | 12 9/16" x 18 3/4" | 12 5/16" x 18 3/4" | 13 3/8" x 18 3/4" |
| DGI-1830 | 14" x 25 15/16" | 12 5/16" x 24 3/8" | 12 5/16" x 24 3/8" | 12 5/16" x 24 3/8" |
| DGI-1830 BUTT | 14" x 25 15/16" | 12 9/16" x 24 3/8" | 12 5/16" x 24 3/8" | 13 3/8" x 24 3/8" |
| DGI-1836 | 14" x 31 15/16" | 12 5/16" x 30 3/8" | 12 5/16" x 30 3/8" | 12 5/16" x 30 3/8" |
| DGI-1836 BUTT | 14" x 31 15/16" | 12 9/16" x 30 3/8" | 12 5/16" x 30 3/8" | 13 3/8" x 30 3/8" |
| DGI-1839 | 14" x 34 15/16" | 12 5/16" x 33 3/8" | 12 5/16" x 33 3/8" | 12 5/16" x 33 3/8" |
| DGI-1839 BUTT | 14" x 34 15/16" | 12 9/16" x 33 3/8" | 12 5/16" x 33 3/8" | 13 3/8" x 33 3/8" |
| DGI-1842 | 14" x 37 15/16" | 12 5/16" x 36 3/8" | 12 5/16" x 36 3/8" | 12 5/16" x 36 3/8" |
| DGI-1842 BUTT | 14" x 37 15/16" | 12 9/16" x 36 3/8" | 12 5/16" x 36 3/8" | 13 3/8" x 36 3/8" |
| 18 1/2" WIDE | | | | |
| DGI-18.512 BUTT | 14 1/2" x 7 15/16" | 13 1/16" x 6 3/8" | 13 1/16" x 6 3/8" | 13 13/16" x 6 3/8" |
| DGI-18.515 BUTT | 14 1/2" x 10 15/16" | 13 1/16" x 9 3/8" | 13 1/16" x 9 3/8" | 13 13/16" x 9 3/8" |
| DGI-18.518 BUTT | 14 1/2" x 13 15/16" | 13 1/16" x 12 3/8" | 13 1/16" x 12 3/8" | 13 13/16" x 12 3/8" |
| DGI-18.521 BUTT | 14 1/2" x 16 7/16" | 13 1/16" x 14 7/8" | 13 1/16" x 14 7/8" | 13 13/16" x 14 7/8" |
| DGI-18.524 BUTT | 14 1/2" x 20 5/16" | 13 1/16" x 18 3/4" | 13 1/16" x 18 3/4" | 13 13/16" x 18 3/4" |
| 19" WIDE | | | | |
| DGI-1912 | 15 1/2" x 7 15/16" | 13 13/16" x 6 3/8" | 13 13/16" x 6 3/8" | 13 13/16" x 6 3/8" |
| DGI-1915 | 15 1/2" x 10 15/16" | 13 13/16" x 9 3/8" | 13 13/16" x 9 3/8" | 13 13/16" x 9 3/8" |
| DGI-1918 | 15 1/2" x 13 15/16" | 13 13/16" x 12 3/8" | 13 13/16" x 12 3/8" | 13 13/16" x 12 3/8" |
| DGI-1921 | 15 1/2" x 16 7/16" | 13 13/16" x 14 7/8" | 13 13/16" x 14 7/8" | 13 13/16" x 14 7/8" |
| DGI-1924 | 15 1/2" x 20 5/16" | 13 13/16" x 18 3/4" | 13 13/16" x 18 3/4" | 13 13/16" x 18 3/4" |
| DGI-1930 | 15 1/2" x 25 15/16" | 13 13/16" x 24 3/8" | 13 13/16" x 24 3/8" | 13 13/16" x 24 3/8" |
| 21" WIDE | | | | |
| DGI-2112 | 17" x 7 15/16" | 15 5/16" x 6 3/8" | 15 5/16" x 6 3/8" | 15 5/16" x 6 3/8" |
| DGI-2115 | 17" x 10 15/16" | 15 5/16" x 9 3/8" | 15 5/16" x 9 3/8" | 15 5/16" x 9 3/8" |
| DGI-2118 | 17" x 13 15/16" | 15 5/16" x 12 3/8" | 15 5/16" x 12 3/8" | 15 5/16" x 12 3/8" |
| DGI-2124 | 17" x 20 5/16" | 15 5/16" x 18 3/4" | 15 5/16" x 18 3/4" | 15 5/16" x 18 3/4" |
| DGI-2130 | 17" x 25 15/16" | 15 5/16" x 24 3/8" | 15 5/16" x 24 3/8" | 15 5/16" x 24 3/8" |
| DGI-2136 | 17" x 31 15/16" | 15 5/16" x 30 3/8" | 15 5/16" x 30 3/8" | 15 5/16" x 30 3/8" |
| DGI-2139 | 17" x 34 15/16" | 15 5/16" x 33 3/8" | 15 5/16" x 33 3/8" | 15 5/16" x 33 3/8" |
| DGI-2142 | 17" x 37 15/16" | 15 5/16" x 36 3/8" | 15 5/16" x 36 3/8" | 15 5/16" x 36 3/8" |

Parts Directory: Drawer Front Dimensions

| DRAWER FRONT DIMENSIONS | | |
|--|----------------------|--------------------|
| PART NAME | Full Overlay | Partial Overlay |
| | Dimensions (W x H) | Dimensions (W x H) |
| STANDARD DRAWER FRONT | | |
| DDF12 | 11 9/16" x 5 13/16" | 9 7/8" x 5 1/8" |
| DDF15 | 14 9/16" x 5 13/16" | 12 7/8" x 5 1/8" |
| DDF18 | 17 9/16" x 5 13/16" | 15 7/8" x 5 1/8" |
| DDF18 DRILL | 17 9/16" x 5 13/16" | 15 7/8" x 5 1/8" |
| DDF19 | 19 1/16" x 5 13/16" | 17 3/8" x 5 1/8" |
| DDF19 DRILL | 19 1/16" x 5 13/16" | 17 3/8" x 5 1/8" |
| DDF21 | 20 9/16" x 5 13/16" | 18 7/8" x 5 1/8" |
| DDF21 DRILL | 20 9/16" x 5 13/16" | 18 7/8" x 5 1/8" |
| DDF24 | 23 9/16" x 5 13/16" | 21 7/8" x 5 1/8" |
| DDF24 DRILL | 23 9/16" x 5 13/16" | 21 7/8" x 5 1/8" |
| DDF27 | 26 9/16" x 5 13/16" | 24 7/8" x 5 1/8" |
| DDF27 DRILL | 26 9/16" x 5 13/16" | 24 7/8" x 5 1/8" |
| DDF30 | 29 9/16" x 5 13/16" | 27 7/8" x 5 1/8" |
| DDF30 DRILL | 29 9/16" x 5 13/16" | 27 7/8" x 5 1/8" |
| DDF33 | 32 9/16" x 5 13/16" | 30 7/8" x 5 1/8" |
| DDF33 DRILL | 32 9/16" x 5 13/16" | 30 7/8" x 5 1/8" |
| DDF36 | 35 9/16" x 5 13/16" | 33 7/8" x 5 1/8" |
| DDF36 DRILL | 35 9/16" x 5 13/16" | 33 7/8" x 5 1/8" |
| DDF0V27 | 26 9/16" x 7 7/16" | - |
| DDF0V30 | 29 9/16" x 7 7/16" | - |
| DDF0V33 | 32 9/16" x 7 7/16" | - |
| LARGE DRAWER FRONT - FULL OVERLAY | | |
| DDF12M | 11 9/16" x 11 27/32" | - |
| DDF12VD | 11 9/16" x 13 3/8" | - |
| DDF15M | 14 9/16" x 11 27/32" | - |
| DDF15VD | 14 9/16" x 13 3/8" | - |
| DDF18M | 17 9/16" x 11 27/32" | - |
| DDF18VD | 17 9/16" x 13 3/8" | - |
| DDF21M | 20 9/16" x 11 27/32" | - |
| DDF21VD | 20 9/16" x 13 3/8" | - |
| DDF24M | 23 9/16" x 11 27/32" | - |
| DDF24VD | 23 9/16" x 13 3/8" | - |
| DDF27M | 26 9/16" x 11 27/32" | - |
| DDF30M | 29 9/16" x 11 27/32" | - |
| DDF33M | 32 9/16" x 11 27/32" | - |
| DDF36M | 35 9/16" x 11 27/32" | - |

| DRAWER FRONT DIMENSIONS | | |
|---|--------------------------|--------------------------|
| PART NAME | Full Overlay | Partial Overlay |
| | Dimensions (W x H) | Dimensions (W x H) |
| LARGE DRAWER FRONT - PARTIAL OVERLAY | | |
| DDF12D | - | 9 7/8" x 10 13/16" |
| DDF12D | - | 9 7/8" x 10 13/16" |
| DDF15D | - | 12 7/8" x 10 13/16" |
| DDF18D | - | 15 7/8" x 10 13/16" |
| DDF21D | - | 18 7/8" x 10 13/16" |
| DDF24D | - | 21 7/8" x 10 13/16" |
| DDF27D | - | 24 7/8" x 10 13/16" |
| DDF30D | - | 27 7/8" x 10 13/16" |
| DDF33D | - | 30 7/8" x 10 13/16" |
| DDF36D | - | 33 7/8" x 10 13/16" |
| 2DB DRAWER FRONT | | |
| DDF21 2DB | 20 9/16" x 14 27/32" | 18 7/8" x 13 13/16" |
| DDF24 2DB | 23 9/16" x 14 27/32" | 21 7/8" x 13 13/16" |
| DDF27 2DB | 26 9/16" x 14 27/32" | 24 7/8" x 13 13/16" |
| DDF30 2DB | 29 9/16" x 14 27/32" | 27 7/8" x 13 13/16" |
| DDF33 2DB | 32 9/16" x 14 27/32" | 30 7/8" x 13 13/16" |
| DDF36 2DB | 35 9/16" x 14 27/32" | 33 7/8" x 13 13/16" |
| MISCELLANEOUS DRAWER FRONT | | |
| DDFKDC27/21 | 20 9/16" x 4 7/16" | 18 7/8" x 3 3/4" |
| DDFKDC33/27 | 26 9/16" x 4 7/16" | 24 7/8" x 3 3/4" |
| DDFKDC36/33 | 32 9/16" x 4 7/16" | 30 7/8" x 3 3/4" |
| DDF SDC | 5 11/16" x 5 1/2" x 1/2" | 5 11/16" x 5 1/2" x 1/2" |

MISCELLANEOUS PARTS & ACCESSORIES

| HINGES | |
|----------------------|---|
| Part Name | Description |
| HINGE 170 FRAMED | Door-to-frame hinge for BER, BSS, CAR or WER cabinet |
| HINGE ER | Door-to-door hinge for BER, BSS, CAR or WER cabinet |
| HINGE FOL 6WY 45 | Hinge with 6-Way Adjustment for FOL Door Styles |
| HINGE FACEMOUNT 45 | Hinge for Facemount Oven Applications |
| HINGE SOL 6WAY 45 | Hinge with 6-Way Adjustment for POL Door Styles |
| HINGE FOL CC6WY 45 | 6-Way Adjustable CushionClose Hinge for MacArthur and Portola door styles |
| HINGE FOL CC6WY SAL | Hinge with 6-Way Adjustment and CushionClose for Brookland Duraform, Brookland w/ DFO Duraform, Remy and Remy w/ DFO door styles |
| HINGE FOL CC6WY 45DP | 6-Way Adjustable CushionClose Hinge for Adelaide, Adelaide w/ DFO, Brookland (excluding Brookland Duraform), Brookland w/ DFO (excluding Brookland Duraform w/ DFO), Garner, Garner w/ DFO, Hanover, Leesburg, Leesburg w/ DFO, Reading, Reading w/ DFO, Savannah, Westerly and Westerly w/ DFO door styles |
| HINGE SOL CC6WAY 45 | Hinge with 6-Way Adjustment and CushionClose for Glen Ellen and San Mateo door styles |
| HINGE CCFACEMOUNT 45 | Hinge with CushionClose for facemount Oven Applications |
| HINGE CC ANG RES CLP | Door Opening Angle Restriction Clip to 86 Degrees - for use on all Integrated CushionClose Hinges, excluding HINGE FOL CC6WY SAL (10 per pack) |
| HINGE CC RES CLP SAL | Door Opening Angle Restriction Clip to 86 Degrees - for use on HINGE FOL CC6WY SAL Hinges Only (10 per pack) |
| HINGE CC COVER CAP | Door Cover Cap to hide Frame to Hinge Screw (for use on Integrated CushionClose Hinges only, 2 per pack) |
| HINGE SPACER SHIM | Spacer Shim installed between the Hinge and Face Frame, adds inward left/right adjustment (for use on all hinges as needed, 10 per pack) |
| HINGE TILT OUT 45 | Hinge for Factory Installed Tilt Out Tray |
| HINGE KIT TRI-VIEW | Hinge Kit for Tri-View Mirror |

| GLIDES/TRACKS/CHANNELS FOR 24" DEEP BASE, 24" DEEP DESK OR DEEP ROLL OUT TRAYS | |
|--|---|
| Part Name | Description |
| CHANNEL SS1 L | Left channel for side-mount DROT, BPPOK, ROTDK |
| CHANNEL SS1 R | Right channel for side-mount DROT, BPPOK, ROTDK |
| GLIDE DROTCL24 | Left CushionClose Glide for DROTCC, BPPOKCC, ROTDKCC |
| GLIDE DROTCCR24 | Right CushionClose Glide for DROTCC, BPPOKCC, ROTDKCC |
| GLIDE FD CCL24 | Left CushionClose Glide (24" deep Base/Desk) |
| GLIDE FD CCR24 | Right CushionClose Glide (24" deep Base/Desk) |
| GLIDE FD NCL24 | Left Full-Access Hidden Glide (24" deep Base/Desk) |
| GLIDE FD NCR24 | Right Full-Access Hidden Glide (24" deep Base/Desk) |
| GLIDE HD CCL24 | Left CushionClose Glide for 2 Drawer Base |
| GLIDE HD CCR24 | Right CushionClose Glide for 2 Drawer Base |
| GLIDE WB CCL24 | Left CushionClose Glide for Wastebasket Cabinets |
| GLIDE WB CCR24 | Right CushionClose Glide for Wastebasket Cabinets |
| GLIDE WB FAL24 | Left Full-Access Glide for Wastebasket Cabinets |
| GLIDE WB FAR24 | Right Full-Access Glide for Wastebasket Cabinets |
| TRACK GA 21L | Left track for side-mount DROT, BPPOK, ROTDK |
| TRACK GA 21R | Right track for side-mount DROT, BPPOK, ROTDK |

| TRACKS/CHANNELS FOR 21" DEEP VANITY, 21" DEEP DESK OR VANITY LINEN | |
|--|---|
| Part Name | Description |
| CHANNEL V L | Left channel for side mount DROT_21 |
| CHANNEL V R | Right channel for side mount DROT_21 |
| GLIDE DROTCLVLC | Left CushionClose Glide for 21" deep Vanity, Desk or Vanity Linen DROTCC |
| GLIDE DROTCCRVLC | Right CushionClose Glide for 21" deep Vanity, Desk or Vanity Linen DROTCC |
| GLIDE FD CCL VAN21 | Left CushionClose Glide (21" deep Vanity/Desk) |
| GLIDE FD CCR VAN21 | Right CushionClose Glide (21" deep Vanity/Desk) |
| GLIDE FD NCL VAN21 | Left Full-Access Hidden Glide (21" deep Vanity/Desk) |
| GLIDE FD NCR VAN21 | Right Full-Access Hidden Glide (21" deep Vanity/Desk) |
| GLIDE WB CCL21 | Left CushionClose Glide for DWBB1821 and VWBB1834H |
| GLIDE WB CCR21 | Right CushionClose Glide for DWBB1821 and VWBB1834H |
| TRACK V L | Left track for side mount DROT_21 |
| TRACK V R | Right track for side mount DROT_21 |

| GLIDES FOR 18" DEEP VANITY & KNEE HOLE DRAWER CABINET | |
|---|--|
| Part Name | Description |
| GLIDE CCL FD18 | Left CushionClose Glide (18" deep Vanity/Kneehole Drawer) |
| GLIDE CCR FD18 | Right CushionClose Glide (18" deep Vanity/Kneehole Drawer) |
| GLIDE FD NCL18 | Left Full-Access Hidden Glide (18" deep Vanity/Kneehole Drawer) |
| GLIDE FD NCR18 | Right Full-Access Hidden Glide (18" deep Vanity/Kneehole Drawer) |

| TILT-OUT TRAY KITS (FIELD INSTALLED) | |
|--------------------------------------|---|
| Part Name | Description |
| STO/TO TRAY 11 | Order (1) for SB18, VSB18, VSB48 (center only) or VAN48 |
| STO/TO TRAY 14 | Order (1) for SB21, SB24, SB24 BUTT, SB27 BUTT, CSF42, VSB21, VSB24, VSB27, VSDB24, VSDB27, VSDB39, VSDB48D or VSDB54D Order (2) for SB39, SB42, SB48, VSB42, VSB54 or VSDB60C |
| STO/TO TRAY 22 | Order (1) for SB30 BUTT, SB33 BUTT, SB36 BUTT, VSB30, VSB33, VSB36, VAN54, VAN60, VSDB30, VSDB33, VSDB36, VSDB42 or VSDB60D Order (2) for VSB60 |

| SCREWS | |
|----------------------|--|
| Part Name | Description |
| SCREW BOLT EXT RD FG | Bolt for RD extender |
| SCREW BRACKET DDF | Screw to attach DDF BRACKET _OL L Bracket to drawer fronts (2 per bracket) |
| SCREW BRACKET DRB | Screw to attach DDF BRACKET _OL L Bracket to drawer bodies (2 per bracket) |
| SCREW CHANNEL | Channel installation screw (1 per channel) |
| SCREW DDF | Drawer front installation screw |
| SCREW DDF 5PC | Screw for 5-piece drawer fronts |
| SCREW DDF SDC 7/8" | SDC drawer front installation screw (1 per drawer body) |
| SCREW EXTENDER RD | Screw for RD extender (1 per extender) |
| SCREW GLIDE FD | Adjustment screw for Full-Access Hidden Glide (1 per glide) |
| SCREW HINGE/DR | Hinge-to-door screw (2 per hinge) |
| SCREW HINGE/FR | Hinge-to-frame screw (1 per hinge) |
| SCREW NUT EXT RD FG | Nut for RD extender |
| SCREW TRACK | Track screw (2 per track) |

Parts directory: Accessories

MISCELLANEOUS PARTS & ACCESSORIES

| CLIPS / BRACKETS | |
|-----------------------|--|
| Part Name | Description |
| BRACKET CHAN B | Back bracket for side-mount Deep Roll Out Tray |
| BRACKETDROT FRT MTL | Front bracket for GLIDE DROTCC__24 |
| BRACKET GL B DROT FAL | Left back bracket for DROT CushionClose Glides |
| BRACKET GL B DROT FAR | Right back bracket for DROT CushionClose Glides |
| BRACKET GL B DROT UNI | Back bracket for CC DROT's in 24" deep cabinets (2 per DROT) |
| BRACKET GL PBC L FG | Left back bracket for Peninsula Base Corner (PBC) Full-Access Hidden Glide |
| BRACKET GL PBC R FG | Right back bracket for Peninsula Base Corner (PBC) Full-Access Hidden Glide |
| BRACKET GL BD RDL FG | Left back bracket for any bottom drawer using the GLIDE FD CCL__ W/EXT (excluding PB, PBC, 2DB) |
| BRACKET GL BD RDR FG | Right back bracket for any bottom drawer using the GLIDE FD CCR__ W/EXT (excluding PB, PBC, 2DB) |
| BRACKET GL BD UNI FG | Left/Right back bracket for any bottom drawer using the Full-extension Glide (excluding PB, PBC, 2DB) |
| BRACKET GL BD UNI FG | Left/Right back bracket for any bottom drawer using the GLIDE FD CC__ (excluding PB, PBC, 2DB) |
| BRACKET GL PB L FG | Left back bracket for Peninsula Base Full-Extension Hidden Glide |
| BRACKET GL PB R FG | Right back bracket for Peninsula Base Full-Extension Hidden Glide |
| BRACKET GL UD RDL FG | Left back bracket for any upper drawer(s) that uses the GLIDE FD CCL__ W/EXT (excluding PB, PBC, 2DB) |
| BRACKET GL UD RDR FG | Right back bracket for any upper drawer(s) that uses the GLIDE FD CCR__ W/EXT (excluding PB, PBC, 2DB) |
| BRACKET GL UD UNI FG | Left/Right back bracket for any upper drawer(s) that use the GLIDE FD CC__ (excluding PB, PBC, 2DB) |
| BRACKET RD DROT L FA | Left back bracket for reduced depth GLIDE DROTCCL__ |
| BRACKET RD DROT R FA | Right back bracket for reduced depth GLIDE DROTCCR__ |
| BRACKET RED DP REAR | Back bracket for reduced depth Side-Mounted Glide |
| BRACKET GLIDE HD BOT | Bottom bracket for 2 Drawer Base |
| BRACKET GLIDE WB BOT | Bottom bracket for Wastebasket Cabinets |
| CLIP HD DRB BACK L | Left back bracket for 2 Drawer Base or Wastebasket Cabinets |
| CLIP HD DRB BACK R | Right back bracket for 2 Drawer Base or Wastebasket Cabinets |
| CLIP DDF | Drawer front clip |
| CLIP LOCK 3/4 4 PK | Package of four locking shelf rests for Base and Tall cabinet shelves |
| CLIP MIRROR MCM FOL | Clip for MCM1530 Full Overlay Mirror door |
| CLIP MIRROR MCM SOL | Clip for MCM1530 Partial Overlay Mirror door |
| CLIP MIRROR TRIVIEW | Clip for TV3030/TV3630 Tri-View Mirror door |
| CLIP PILASTER | Shelf Rest for PSK36 Shelf & Pilaster Kit |
| CLIP REAR SHELF | Middle shelf rest for 39" or wider Wall cabinet shelf |
| CLIP SHELF NP SPIN | Locking shelf clip for NP Spin Units (Base 4 required, Wall 5 required) |
| DDF BRACKET FOL | Attachment bracket for Brookland w/ DFO, Garner w/ DFO and Reading Duraform w/ DFO drawer fronts and all FOL doors on Wastebasket and File Pull Out cabinets |
| DDF BRACKET CCAP FOL | Attachment bracket cover cap for Brookland w/ DFO, Garner w/ DFO and Reading Duraform w/ DFO drawer fronts and all FOL doors on Wastebasket and File Pull Out cabinets |
| DDF BRACKET SOL | Attachment bracket for POL doors on Wastebasket and File Pull Out cabinets |
| DDF BRACKET CCAP SOL | Attachment bracket cover cap for POL doors on Wastebasket and File Pull Out cabinets |
| DDF BRACKET FOL OVEN | Oven DDF attachment bracket for Brookland w/ DFO, Garner w/ DFO and Reading Duraform w/ DFO door styles |
| DDF BKT CCAP FOL OVEN | Cover cap oven DDF attachment bracket for Brookland w/ DFO, Garner w/ DFO and Reading Duraform w/ DFO door styles |
| DRB MOUNT CLIP L FD | Left drawer release clip for Left Full-Extension Hidden Glide |
| DRB MOUNT CLIP R FD | Right drawer release clip for Left Full-Extension Hidden Glide |
| DROTFA MOUNT CLIP L | Left release clip for GLIDE DROTCC__24 |
| DROTFA MOUNT CLIP R | Right release clip for GLIDE DROTCC__24 |
| DRB HD MOUNT CLIP L | Left drawer release clip for 2 Drawer Base |
| DRB HD MOUNT CLIP R | Right drawer release clip for 2 Drawer Base |

| CLIPS / BRACKETS | |
|----------------------|--|
| Part Name | Description |
| DRB WB MOUNT CLIP L | Left drawer release clip for Wastebasket Cabinets |
| DRB WB MOUNT CLIP R | Right drawer release clip for Wastebasket Cabinets |
| SHELF REST METAL 4PK | Package of four metal shelf rests for Wall or Bookshelf shelves |
| SHELF REST METAL 12 | Package of twelve metal shelf rests for Wall or Bookshelf shelves |
| SHELF REST MFD PK | Package of eight shelf rests for Mullion Frame Door Wall cabinet shelves |
| SHELF SUPT ADJ BASE | Middle shelf rest for 39" or wider Base cabinet shelf |
| SPACER GL BD FRT FG | Left/Right front drawer clip for bottom drawer on VDB__34H & DB__ cabinets (excluding 2DB) |
| SPACER GL KDC FRT FG | Left/Right front drawer clip for KDC |

| WHITE PLASTIC SPIN SHELVES AND PARTS | |
|--------------------------------------|--|
| Part Name | Description |
| BSSCAR HUB RAS | With rollers, fits into shelf for pole attachment (1 required) |
| BSSCWSCAR BRKT RAS | Top and bottom mounting brackets (1 required) |
| BSSCWSCAR COLLAR ASM | Locking adjustable shelf collar for top shelf (1 required) |
| BSSCWSCAR T-SHAFT RA | Metal post on which shelves spin (1 required) |
| BSS33 SHELF RAS | White spin shelf for BSS33/BSS3336/BSS3633 (2 required) |
| BSS36 SHELF RAS | White spin shelf for BSS36 (2 required) |
| CAR SHELF RAS | White spin shelf for CAR36 (2 required) |
| CBS SHELF RAS | White spin shelf for CBS36 (2 required) |
| CWS HUB RAS | With rollers, fits into shelf for pole attachment (1 required) |
| CWS SHELF RAS | White spin shelf for CWS2430 (2 required) |
| BSS33 UNIT RAS | Entire plastic spin unit for BSS33 |
| BSS36 UNIT RAS | Entire plastic spin unit for BSS36 |

| WOOD SPIN SHELF UNITS FOR ALL PLYWOOD CONSTRUCTION - ADD "PLY" TO END OF SKU NAME | |
|--|--|
| Part Name | Description |
| BSS33 SHELF WD NP | Wood spin unit and shelf for BSS33 WD (2 required) |
| BSS3336 SHELF WD NP | Wood spin unit and shelf for BSS3336 WD (2 required) |
| BSS36 SHELF WD NP | Wood spin unit and shelf for BSS36 WD (2 required) |
| BSS3633 SHELF WD NP | Wood spin unit and shelf for BSS3633 WD (2 required) |
| CBS36 SHELF WD NP | Wood spin unit and shelf for CBS36 WD (2 required) |
| CWS24 SHELF WD NP | Wood spin unit and shelf for CWS2430 WD, CWS2436 WD, CWS2442 WD and CWDS2448 WD (2 required) |

| FLOATING SHELVES | |
|---------------------|--|
| Part Name | Description |
| FLSH PLY MOUNT 24 | Mounting strip for 24" wide Floating Shelf |
| FLSH PLY MOUNT 30 | Mounting strip for 30" wide Floating Shelf |
| FLSH PLY MOUNT 36 | Mounting strip for 36" wide Floating Shelf |
| FLSH PLY MOUNT 42 | Mounting strip for 42" wide Floating Shelf |
| FLSH PLY MOUNT 48 | Mounting strip for 48" wide Floating Shelf |
| FLSH MOUNT BRACKETS | Mounting brackets for Floating Shelves (screws included) |

MISCELLANEOUS PARTS & ACCESSORIES

| MISCELLANEOUS SHELVING | |
|------------------------|--|
| Part Name | Description |
| BS18 SHELF 1PK | Single Shelf for BSPLY18 |
| BS18 SHELF 4PK | 4 Pack Shelf Kit for BSPLY18 |
| BS24 SHELF 1PK | Single Shelf for BSPLY24 |
| BS24 SHELF 4PK | 4 Pack Shelf Kit for BSPLY24 |
| BS30 SHELF 1PK | Single Shelf for BSPLY30 |
| BS30 SHELF 4PK | 4 Pack Shelf Kit for BSPLY30 |
| BS36 SHELF 1PK | Single Shelf for BSPLY36 |
| BS36 SHELF 4PK | 4 Pack Shelf Kit for BSPLY36 |
| S369 | Shelf for PSK36 Shelf & Pilaster Kit |
| S924 | Adjustable shelf for TB9 |
| WCMSC2412 SHELF | Microwave shelf for WCMSC241236 BUTT |
| WCMSC2712 SHELF | Microwave shelf for WCMSC271236 BUTT |
| WMSC2712 SHELF | Microwave shelf for WMSC271236 BUTT |
| WMSC2718 SHELF | Microwave shelf for WMSC271836 BUTT/ WMSC271842 BUTT |
| WMSC3012 SHELF | Microwave shelf for WMSC301236 |

| MISCELLANEOUS | |
|----------------------|---|
| Part Name | Description |
| BASE CORNER BLOCK WD | Plywood corner block |
| BFP3 FRONT FILLER | Filler for BFP3 Base Filler Pull Out |
| BFP6 FRONT FILLER | Filler for BFP6 Base Filler Pull Out |
| BPP12 KIT | Kit for BPP12 Base Pull Out |
| BPP9 KIT | Kit for BPP9 Base Pull Out |
| BTDP9 KIT | Kit for BTDP9 Base Tray Divider Pull Out |
| BPPUS12 KIT | Kit for BPPUS12 Base Pull Out Utensil Storage |
| BPPUS9 KIT | Kit for BPPUS9 Base Pull Out Utensil Storage |
| BUMPER CLEAR | Door bumper (Strip of 4 bumpers) |
| BUMPER CLEAR 55 | Door bumper (Strip of 55 bumpers) |
| BUMPER CLEAR DT | Door bumper for textured Duraform door styles (Strip of 4 bumpers) |
| BUMPER CLEAR DT 55 | Door bumper for textured Duraform door styles (Strip of 55 bumpers) |
| BUMPER CLEAR DWR | Drawer bumper (Strip of 4 bumpers) |
| BWBB15 FH FOL KIT | Wastebasket kit for FOL BWBB15 FH |
| BWBB15 FH SOL KIT | Wastebasket kit for POL BWBB15 FH |
| BWBB15 FOL KIT | Wastebasket kit for FOL BWBB15 |
| BWBB15 SOL KIT | Wastebasket kit for POL BWBB15 |
| BWBB15-2 FOL KIT | Wastebasket kit for FOL BWBB15-2 |
| BWBB15-2 SOL KIT | Wastebasket kit for POL BWBB15-2 |
| BWBB18 FH FOL KIT | Wastebasket kit for FOL BWBB18 FH |
| BWBB18 FH SOL KIT | Wastebasket kit for POL BWBB18 FH |
| BWBB18-2 FOL KIT | Wastebasket kit for FOL BWBB18-2 |
| BWBB18-2 SOL KIT | Wastebasket kit for POL BWBB18-2 |
| BWBB21-2 FH FOL KIT | Wastebasket kit for FOL BWBB21-2 FH |
| BWBB21-2 FH SOL KIT | Wastebasket kit for POL BWBB21-2 FH |
| BWBB21-2 FOL KIT | Wastebasket kit for FOL BWBB21-2 |
| BWBB21-2 SOL KIT | Wastebasket kit for POL BWBB21-2 |
| COVER CAP 10MM TAN | Tan cover cap for cabinet backs (4 per pack) |
| COVER CAP 10MM WHT | White cover cap for cabinet backs (4 per pack) |
| DFDC FILE UNIT 21 | File unit for DFDC1821 |
| DFDC FILE UNIT 24 | File unit for DFDC1824 |
| DWBB1821 FOL KIT | Wastebasket kit for FOL DWBB1821 |
| DWBB1821 SOL KIT | Wastebasket kit for POL DWBB1821 |
| DWBB1824 FOL KIT | Wastebasket kit for FOL DWBB1824 |
| DWBB1824 SOL KIT | Wastebasket kit for POL DWBB1824 |
| FRAME SPACER BPP9 | Unit stabilizer and frame spacer for BPP9, BPP12, BPPUS9, BPPUS12 & BTDP9 |

| MISCELLANEOUS | |
|-----------------------|--|
| Part Name | Description |
| MAG CATCH TV BLK | Black magnetic catch for TV3030/TV3630 Tri-View Mirror |
| KNOB SDC | Wooden knob for SDC/BSDC6 |
| LATCH TILT OUT TRAY | Replacement Latch for Factory Installed Tilt-Out Tray (1 required) (1 required per mirror) |
| MAG CATCH TV WHT | White magnetic catch for TV3030/TV3630 Tri-View Mirror (1 required per mirror) |
| MC SHELF HDW | Package of 4 shelf clips for MC/MCM cabinet |
| MIRROR TV3030 | Mirror for TV3030 |
| MIRROR TV3630 | Mirror for TV3630 |
| PDO21 | Peg Dish Organizer for 21" 2 Drawer Base |
| PDO24 | Peg Dish Organizer for 24" 2 Drawer Base |
| PDO27 | Peg Dish Organizer for 27" 2 Drawer Base |
| PDO30 | Peg Dish Organizer for 30" 2 Drawer Base |
| PDO33 | Peg Dish Organizer for 33" 2 Drawer Base |
| PDO36 | Peg Dish Organizer for 36" 2 Drawer Base |
| PEG KIT 4 PK | Package of 4 pegs for Peg Dish Organizer |
| PK36 | Pilaster kit for PSK36 Shelf & Pilaster Kit |
| PULL TRIVIEW | Chrome pull for TV3030/TV3630 Tri-View Mirror |
| ROT DIVIDER KIT | Divider for ROTDK12/ROTDK15 |
| ROT PROTECTOR | End plastic protector on Deep Roll Out Trays (2 required per DROT) |
| SDROT21 | Scalloped Deep Roll Out Tray for DB21 2DWR |
| SDROT24 | Scalloped Deep Roll Out Tray for DB24 2DWR |
| SDROT27 | Scalloped Deep Roll Out Tray for DB27 2DWR |
| SDROT30 | Scalloped Deep Roll Out Tray for DB30 2DWR |
| SDROT33 | Scalloped Deep Roll Out Tray for DB33 2DWR |
| SDROT36 | Scalloped Deep Roll Out Tray for DB36 2DWR |
| TRAY ST TILT OUT 11 | Stainless Tray ONLY for Factory Installed Tilt-Out |
| TRAY ST TILT OUT 14 | Stainless Tray ONLY for Factory Installed Tilt-Out |
| TRAY ST TILT OUT 22 | Stainless Tray ONLY for Factory Installed Tilt-Out |
| VWBB1834H FOL KIT | Wastebasket kit for FOL VWBB1834H |
| VWBB1834H SOL KIT | Wastebasket kit for POL VWBB1834H |
| WASTEBASKET 27QT SLV | Silver 27 quart wastebasket |
| WASTEBASKET 35QT SLV | Silver 35 quart wastebasket |
| WASTEBASKETT 50QT SLV | Silver 50 quart wastebasket |
| WOOD SPIN HOLE PLUG | Access hole plug for wood spin shelf on CBS and CWS cabinets |
| WTH DOOR STAY | One Door Stay for Wall Top Hinge cabinet (qty 2 per door) |
| WTH DR STAY DR BRK | One Door Bracket for WTH DOOR STAY (qty 2 per door) |
| WTH DR STAY FR BRK | One Frame bracket for WTH DOOR STAY (qty 2 per door) |
| WTH HEX KEY BAG | One Hex Key for WTH DOOR STAY |

PARTS DIRECTORY: Replacement Drawer Reference Sheet

REPLACEMENT PARTS REFERENCE SHEET

REPLACEMENT PARTS FOR FULL-ACCESS 21" DEEP VANITY AND DESK DRAWERS

| Part Name | Description |
|----------------------|---|
| DRB__X 18DP DT FD | Small drawer body - release clips attached |
| DRB__M X 18DP DT FD | Large drawer body - release clips attached |
| GLIDE FD NCL VAN21 | Left Full-Access Glide (qty 1 per drawer) |
| GLIDE FD NCR VAN21 | Right Full-Access Glide (qty 1 per drawer) |
| BRACKET GL BD UNI FG | Back bracket for any bottom drawer (qty 2 per drawer) |
| BRACKET GL UD UNI FG | Back bracket for any upper drawer (qty 2 per drawer) |
| SCREW GLIDE FD | Screw to attach front clip for drawer (qty 2 per drawer) |
| DRB MOUNT CLIP L FD | Left drawer release clip for drawer glide - included with replacement drawer body (qty 1 per drawer) |
| DRB MOUNT CLIP R FD | Right drawer release clip for drawer glide - included with replacement drawer body (qty 1 per drawer) |
| SPACER GL BD FRT FG | Drawer clip for bottom drawer on VDB__34H cabinets only (qty 2 per drawer) |

REPLACEMENT PARTS FOR CUSHIONCLOSE 21" DEEP VANITY AND DESK DRAWERS

| Part Name | Description |
|----------------------|---|
| DRB__X 18DP DT FD | Small drawer body - release clips attached |
| DRB__M X 18DP DT FD | Large drawer body - release clips attached |
| GLIDE FD CCL VAN21 | Left CushionClose Glide (qty 1 per drawer) |
| GLIDE FD CCR VAN21 | Right CushionClose Glide (qty 1 per drawer) |
| BRACKET GL BD UNI FG | Back bracket for any bottom drawer (qty 2 per drawer) |
| BRACKET GL UD UNI FG | Back bracket for any upper drawer (qty 2 per drawer) |
| SCREW GLIDE FD | Screw to attach front clip for drawer (qty 2 per drawer) |
| DRB MOUNT CLIP L FD | Left drawer release clip for drawer glide - included with replacement drawer body (qty 1 per drawer) |
| DRB MOUNT CLIP R FD | Right drawer release clip for drawer glide - included with replacement drawer body (qty 1 per drawer) |
| SPACER GL BD FRT FG | Drawer clip for bottom drawer on VDB__34H cabinets only (qty 2 per drawer) |

REPLACEMENT PARTS FOR 24" FULL-ACCESS DEEP FURNITURE DRAWERS

| Part Name | Description |
|----------------------|---|
| DRB__x 21DP DT FD | Small drawer body - release clips attached |
| DRB__M x 21DP DT FD | Large drawer body - release clips attached |
| GLIDE FD NCL24 | Left Full-Access Glide (qty 1 per drawer) |
| GLIDE FD NCR24 | Right Full-Access Glide (qty 1 per drawer) |
| BRACKET GL UD UNI FG | Back bracket (qty 2 per drawer) |
| SPACER GL BD FRT FG | Spacer for BRACKET GL UD UNI FG (qty 2 per drawer) |
| SCREW GLIDE FD | Screw to attach front clip for drawer (qty 2 per drawer) |
| DRB MOUNT CLIP L FD | Left drawer release clip for drawer glide - included with replacement drawer body (qty 1 per drawer) |
| DRB MOUNT CLIP R FD | Right drawer release clip for drawer glide - included with replacement drawer body (qty 1 per drawer) |

REPLACEMENT PARTS FOR 12" FULL-ACCESS DEEP FURNITURE DRAWERS

| Part Name | Description |
|----------------------|---|
| DRB__x 9DP DT FD | Small drawer body - release clips attached |
| DRB__M x 9DP DT FD | Large drawer body - release clips attached |
| GLIDE FD NCL12 | Left Full-Access Glide (qty 1 per drawer) |
| GLIDE FD NCR12 | Right Full-Access Glide (qty 1 per drawer) |
| BRACKET GL UD RDL FG | Left back bracket (qty 1 per drawer) |
| BRACKET GL UD RDR FG | Right back bracket (qty 1 per drawer) |
| SCREW GLIDE FD | Screw to attach front clip for drawer (qty 2 per drawer) |
| DRB MOUNT CLIP L FD | Left drawer release clip for drawer glide - included with replacement drawer body (qty 1 per drawer) |
| DRB MOUNT CLIP R FD | Right drawer release clip for drawer glide - included with replacement drawer body (qty 1 per drawer) |

REPLACEMENT PARTS FOR 24" DEEP FULL-ACCESS BASE AND DESK DRAWERS

| Part Name | Description |
|----------------------|---|
| DRB__X 21DP DT FD | Small drawer body - release clips attached |
| DRB__M X 21DP DT FD | Large drawer body - release clips attached |
| GLIDE FD NCL24 | Left Full-Access Hidden Glide (qty 1 per drawer) |
| GLIDE FD NCR24 | Right Full-Access Hidden Glide (qty 1 per drawer) |
| BRACKET GL BD UNI FG | Back bracket for any bottom drawer (qty 2 per drawer) |
| BRACKET GL UD UNI FG | Back bracket for any upper drawer (qty 2 per drawer) |
| SCREW GLIDE FD | Screw to attach front clip for drawer (qty 2 per drawer) |
| DRB MOUNT CLIP L FD | Left drawer release clip for drawer glide - included with replacement drawer body (qty 1 per drawer) |
| DRB MOUNT CLIP R FD | Right drawer release clip for drawer glide - included with replacement drawer body (qty 1 per drawer) |
| SPACER GL BD FRT FG | Drawer clip for bottom drawer on DB__ cabinets only (qty 2 per drawer) |

REPLACEMENT PARTS FOR 24" DEEP CUSHIONCLOSE BASE AND DESK DRAWERS

| Part Name | Description |
|----------------------|---|
| DRB__X 21DP DT FD | Small drawer body - release clips attached |
| DRB__M X 21DP DT FD | Large drawer body - release clips attached |
| GLIDE FD CCL24 | Left CushionClose Glide (qty 1 per drawer) |
| GLIDE FD CCR 24 | Right CushionClose Glide (qty 1 per drawer) |
| BRACKET GL BD UNI FG | Back bracket for any bottom drawer (qty 2 per drawer) |
| BRACKET GL UD UNI FG | Back bracket for any upper drawer (qty 2 per drawer) |
| SCREW GLIDE FD | Screw to attach front clip for drawer (qty 2 per drawer) |
| DRB MOUNT CLIP L FD | Left drawer release clip for drawer glide - included with replacement drawer body (qty 1 per drawer) |
| DRB MOUNT CLIP R FD | Right drawer release clip for drawer glide - included with replacement drawer body (qty 1 per drawer) |
| SPACER GL BD FRT FG | Drawer clip for bottom drawer on DB__ cabinets only (qty 2 per drawer) |

REPLACEMENT PARTS FOR 24" CUSHIONCLOSE DEEP FURNITURE DRAWERS

| Part Name | Description |
|----------------------|---|
| DRB__x 21DP DT FD | Small drawer body - release clips attached |
| DRB__M x 21DP DT FD | Large drawer body - release clips attached |
| GLIDE FD CCL24 | Left CushionClose Glide (qty 1 per drawer) |
| GLIDE FD CCR 24 | Right CushionClose Glide (qty 1 per drawer) |
| BRACKET GL UD UNI FG | Back bracket (qty 2 per drawer) |
| SPACER GL BD FRT FG | Spacer for BRACKET GL UD UNI FG (qty 2 per drawer) |
| SCREW GLIDE FD | Screw to attach front clip for drawer (qty 2 per drawer) |
| DRB MOUNT CLIP L FD | Left drawer release clip for drawer glide - included with replacement drawer body (qty 1 per drawer) |
| DRB MOUNT CLIP R FD | Right drawer release clip for drawer glide - included with replacement drawer body (qty 1 per drawer) |

REPLACEMENT PARTS FOR 12" CUSHIONCLOSE DEEP FURNITURE DRAWERS

| Part Name | Description |
|----------------------|---|
| DRB__x 9DP DT FD | Small drawer body - release clips attached |
| DRB__M x 9DP DT FD | Large drawer body - release clips attached |
| GLIDE FD CCL12 | Left CushionClose Glide (qty 1 per drawer) |
| GLIDE FD CCR12 | Right CushionClose Glide (qty 1 per drawer) |
| BRACKET GL UD RDL FG | Left back bracket (qty 1 per drawer) |
| BRACKET GL UD RDR FG | Right back bracket (qty 1 per drawer) |
| SCREW GLIDE FD | Screw to attach front clip for drawer (qty 2 per drawer) |
| DRB MOUNT CLIP L FD | Left drawer release clip for drawer glide - included with replacement drawer body (qty 1 per drawer) |
| DRB MOUNT CLIP R FD | Right drawer release clip for drawer glide - included with replacement drawer body (qty 1 per drawer) |

PARTS DIRECTORY: Replacement Drawer Reference Sheet

REPLACEMENT PARTS REFERENCE SHEET

REPLACEMENT PARTS FOR SIDE-MOUNTED 21" DEEP VLC DROT'S

| Part Name | Description |
|----------------|--|
| DROT__Z1 | Deep Roll Out Tray Kit (ships with ALL installation hardware) |
| CHANNEL V L | Left channel for roll out tray - attaches to cabinet (qty 1 per drawer) |
| CHANNEL V R | Right channel for roll out tray - attaches to cabinet (qty 1 per drawer) |
| TRACK V L | Left track for roll out tray - attaches to drawer body (qty 1 per drawer) |
| TRACK V R | Right track for roll out tray - attaches to drawer body (qty 1 per drawer) |
| BRACKET CHAN B | Back bracket for channel - attaches channel to cabinet (qty 2 per drawer) |
| SCREW CHANNEL | Channel screw - attaches channel to face frame (qty 2 per sliding shelf) |
| SCREW TRACK | Track screw - attaches track to drawer body (qty 4 per sliding shelf) |

REPLACEMENT PARTS FOR 21" DEEP CUSHIONCLOSE VLC DROT'S

| Part Name | Description |
|----------------------|---|
| DROT__Z1 | Deep Roll Out Tray Kit (ships with ALL installation hardware) |
| GLIDE DROT CCLVLC | Left CushionClose Glide (qty 1 per roll out tray) |
| GLIDE DROT CCRVLC | Right CushionClose Glide (qty 1 per roll out tray) |
| SCREW GLIDE CC | Attachment screws for front brackets (2 per roll out tray) |
| BRACKET RD DROT L FA | Left back bracket for DROT glide (qty 1 per roll out tray) |
| BRACKET RD DROT R FA | Right back bracket for DROT glide (qty 1 per roll out tray) |
| DROTFA MOUNT CLIP L | Left release clip for roll out tray |
| DROTFA MOUNT CLIP R | Right release clip for roll out tray |

REPLACEMENT PARTS FOR SIDE-MOUNTED 24" DEEP DROT'S/BPPOK'S/ROTDK'S

| Part Name | Description |
|----------------|--|
| DROT__ | Track screw - attaches track to drawer body (qty 4 per sliding shelf) |
| CHANNEL SSIL | Left channel for roll out tray - attaches to cabinet (qty 1 per drawer) |
| CHANNEL SSIR | Right channel for roll out tray - attaches to cabinet (qty 1 per drawer) |
| TRACK GA Z1L | Left track for roll out tray - attaches to drawer body (qty 1 per drawer) |
| TRACK GA Z1R | Right track for roll out tray - attaches to drawer body (qty 1 per drawer) |
| BRACKET CHAN B | Back bracket for channel - attaches channel to cabinet (qty 2 per drawer) |
| SCREW CHANNEL | Channel screw - attaches channel to face frame (qty 2 per sliding shelf) |
| SCREW TRACK | Track screw - attaches track to drawer body (qty 4 per sliding shelf) |

REPLACEMENT PARTS FOR 24" DEEP CUSHIONCLOSE DROT'S/BPPOK'S/ROTDK'S

| Part Name | Description |
|----------------------|---|
| DROT__ | Deep Roll Out Tray Kit (ships with ALL installation hardware) |
| GLIDE DROT CCL24 | Left CushionClose Glide (qty 1 per roll out tray) |
| GLIDE DROT CCR24 | Right CushionClose Glide (qty 1 per roll out tray) |
| SCREW GLIDE CC | Attachment screws for front brackets (2 per roll out tray) |
| BRACKET GL B DROTUNI | Back bracket for drawer glide (qty 2 per roll out tray) |
| DROTFA MOUNT CLIP L | Left release clip for roll out tray |
| DROTFA MOUNT CLIP R | Right release clip for roll out tray |

REPLACEMENT PARTS FOR FULL-ACCESS KNEEHOLE DRAWERS

| Part Name | Description |
|----------------------|---|
| DRBKDC_X15DP DT FD | Drawer body - release clips attached |
| GLIDE FD NCL18 | Left Full-Access Hidden Glide (qty 1 per drawer) |
| GLIDE FD NCR18 | Right Full-Access Hidden Glide (qty 1 per drawer) |
| SPACER GL KDC FRT FG | Left/Right front drawer clip for KDC (qty 2 per drawer) |
| BRACKET GL UD UNI FG | Back bracket (qty 2 per drawer) |
| SCREW GLIDE FD | Screw to attach front clip for drawer (qty 2 per drawer) |
| DRB MOUNT CLIP L FD | Left drawer release clip for drawer glide - included with replacement drawer body (qty 1 per drawer) |
| DRB MOUNT CLIP R FD | Right drawer release clip for drawer glide - included with replacement drawer body (qty 1 per drawer) |

REPLACEMENT PARTS FOR TWO DRAWER BASE DRAWERS

| Part Name | Description |
|---------------------|---|
| DRB__ HD X 21DPDTFD | Drawer body - release clips attached |
| GLIDE HD CCL24 | Left CushionClose Glide (qty 1 per drawer) |
| GLIDE HD CCR24 | Right CushionClose Glide (qty 1 per drawer) |
| CLIP HD DRB BACK L | Left back bracket for drawer glide (qty 1 per drawer) |
| CLIP HD DRB BACK R | Right back bracket for drawer glide (qty 1 per drawer) |
| BRACKET GL HD BOT | Bottom bracket for glide (qty 2 per drawer) |
| SCREW GLIDE FD | Screw to attach front clip for drawer (qty 2 per drawer) |
| DRB HD MOUNT CLIP L | Left drawer release clip for drawer glide - included with replacement drawer body (qty 1 per drawer) |
| DRB HD MOUNT CLIP R | Right drawer release clip for drawer glide - included with replacement drawer body (qty 1 per drawer) |

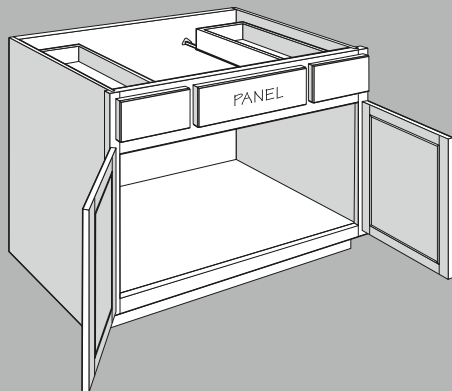
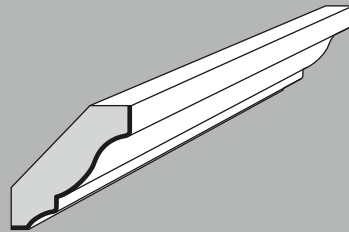
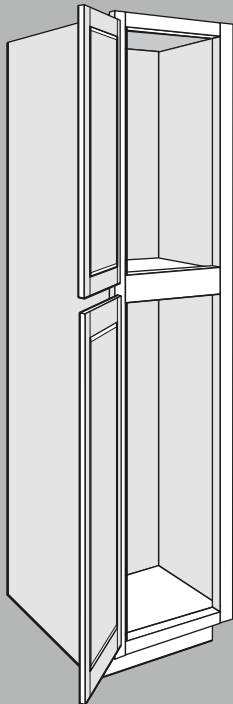
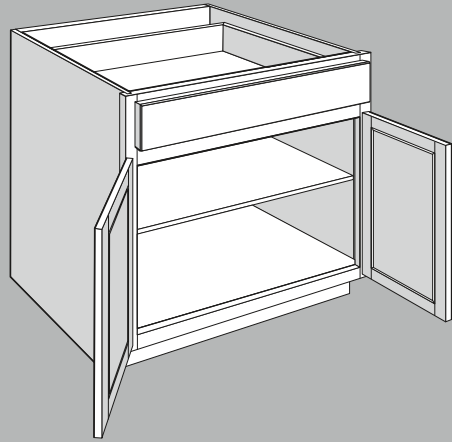
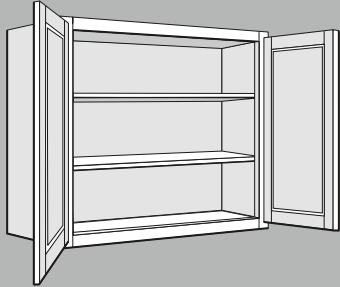
REPLACEMENT PARTS FOR CUSHIONCLOSE KNEEHOLE DRAWERS

| Part Name | Description |
|----------------------|---|
| DRBKDC_X15DP DT FD | Small drawer body - release clips attached |
| GLIDE FD CCL18 | Left CushionClose Glide (qty 1 per drawer) |
| GLIDE FD CCR18 | Right CushionClose Glide (qty 1 per drawer) |
| SPACER GL KDC FRT FG | Left/Right front drawer clip for KDC (qty 2 per drawer) |
| BRACKET GL UD UNI FG | Back bracket (qty 2 per drawer) |
| SCREW GLIDE FD | Screw to attach front clip for drawer (qty 2 per drawer) |
| DRB MOUNT CLIP L FD | Left drawer release clip for drawer glide - included with replacement drawer body (qty 1 per drawer) |
| DRB MOUNT CLIP R FD | Right drawer release clip for drawer glide - included with replacement drawer body (qty 1 per drawer) |

REPLACEMENT PARTS FOR WASTEBASKET WITH CUSHIONCLOSE GLIDES

| Part Name | Description |
|----------------------|---|
| BWBB____OL KIT | Base Bottom Mounted Wastebasket Kit (includes all installation items) |
| DWBB18____OL KIT | Desk Bottom Mounted Wastebasket Kit (includes all installation items) |
| VWBB1834H____OL KIT | Vanity Bottom Mounted Wastebasket Kit (includes all installation items) |
| GLIDE HD CCL21 | Left CushionClose Heavy Duty Glide for DWBB1821, VWBB1834H (qty 1 per pullout) |
| GLIDE HD CCR21 | Right CushionClose Heavy Duty Glide for DWBB1821, VWBB1834H (qty 1 per pullout) |
| GLIDE HD CCL24 | Left CushionClose Heavy Duty Glide for BWBB___, DWBB1824 (qty 1 per pullout) |
| GLIDE HD CCR24 | Right Cushion Close Heavy Duty Glide for BWBB___, DWBB1824 (qty 1 per pullout) |
| SCREW GLIDE FD | Screw that attaches glide brackets to front face frame of cabinet (qty 1 per glide) |
| SCREW TRACK | Screw that attaches the door to the drawer box using "L" brackets (qty 2 per bracket) |
| SCREW BRACKET DDF | Attaches "L" bracket to drawer front (qty 2 per bracket) |
| SCREW BRACKET DRB | Attaches "L" bracket to drawer box (qty 2 per bracket) |
| DRB WB MOUNT CLIP L | Left drawer release clip for Wastebasket Cabinets |
| DRB WB MOUNT CLIP R | Right drawer release clip for Wastebasket Cabinets |
| BRACKET GLIDE WB BOT | Heavy Duty Wastebasket Glide back bracket - mounts to cabinet floor (qty 1 per glide) |
| BRACKET GLIDE HD BOT | Heavy Duty Glide back bracket - mounts to cabinet floor (qty 1 per glide) |
| DDF BRACKET FOL | Metal "L" bracket for FOL door attachment (qty 4 per door) |
| DDF BRACKET CCAP FOL | Plastic "L" bracket cover cap for DDF BRACKET FOL (qty 1 per bracket) |
| DDF BRACKET SOL | Metal "L" bracket for POL door attachment (qty 4 per door) |
| DDF BRACKET CCAP SOL | Plastic "L" bracket cover cap for DDF BRACKET SOL (qty 1 per bracket) |
| WASTEBASKET 27QT SLV | Silver 27 quart wastebasket |
| WASTEBASKET 35QT SLV | Silver 35 quart wastebasket |
| WASTEBASKET 50QT SLV | Silver 50 quart wastebasket |

Index



| | SKU | Spec |
|---|-------------|----------|
| A | | |
| Accent Turned Foot | ATF | 158 |
| Accent Turned Foot, Full Round | ATF-FR | 158 |
| Accessible Height Option | AH | 39 |
| Adaptable Sink Base Kit | ASB___KIT | 98 |
| Adjustable Drawer Divider Kit | ADDIK___ | 103 |
| Adjustable Shelf Kit | S/SK___ | 124, 141 |
| All Plywood Construction Option | APC | 38 |
| Angle Crown Molding | ACM8 | 144 |
| Angle Crown Molding Duraform Textured | ACM8 DT | 144 |
| Angled Corbel | AS12___ | 154 |
| Angled Outside Corner Molding | AOSC8 | 148 |
| Asymmetrical Base Easy Reach | BER___ | 90 |
| Asymmetrical Base Super Susan with Wood Spin Units | BSS___WD | 90 |
| B | | |
| Base Bookshelf | BSPLY2434 | 113 |
| Base Cabinet Construction | - | 25 |
| Base Cabinet Decorator Matching Doors | DMDB | 165 |
| Base Cabinet Dimensions | - | 28 |
| Base Cabinet Four Deep Roll Out Trays | B___4T | 79 |
| Base Cabinet No Drawer | TB9 | 80 |
| Base Cabinet One Vertical Deep Roll Out Tray B___FWT | 77 | |
| Base Cabinet Six Deep Roll Out Trays | B45___6T | 80 |
| Base Cabinet Three Deep Roll Out Trays | B45___3T | 80 |
| Base Cabinet Tray Divider Pull-Out | BTDP9 | 81 |
| Base Cabinet Two Horizontal Deep Roll Out Trays | B___2T | 79 |
| Base Cabinet Two Vertical Deep Roll Out Trays | B___2FWT | 74, 77 |
| Base Cabinet with 1 Door and Factory Installed Drawer Organizers | B___ | 76 |
| Base Cabinet with 2 Doors and Factory Installed Drawer Organizers | B___BUTT___ | 78 |
| Base Cabinet with Factory Installed Roll-Out Tray Divider | B___ROTD | 74 |
| Base Cabinet, 1 Factory Installed Wastebasket | BWBB15 | 75 |
| Base Cabinet, 2 Factory Installed Wastebaskets | BWBB___-2 | 75 |
| Base Cabinet, Standard with 2 Butt Doors | B___ | 77 |
| Base Cabinet, Standard with Center Stile | B___ | 78 |
| Base Cabinet, Standard with One Door | B___ | 74 |
| Base Cabinet, with 3 Doors | B45 | 79 |
| Base Column Filler | B_C___ | 171 |
| Base Corner Filler | BCF27 | 170 |
| Base Easy Reach | BER___ | 89 |
| Base End Angle Decorator Matching Door | DMDBEA12 | 166 |
| Base End Angle | BEA___FH | 100 |
| Base Filler Pull-Out | BFP___ | 101 |
| Base Microwave Cabinet | BMC___ | 100 |
| Base Mixer Lift Kit | BMLK18 | 104 |
| Base Oven Cabinet Universal | BOCU___ | 101 |
| Base Pantry Pull-Out | BPP___ | 82 |
| Base Plumbing Skirt | BPS___UD | 97 |
| Base Pot & Pan Organizer Kit | BPPOK___ | 104 |
| Base Pot and Pan Organizer Cabinet | B___BPPO | 75, 77 |
| Base Spice Drawer Cabinet | BSDC6 | 99 |
| Base Square Foot | BSQF | 158 |
| Base Square Leg | BSQL | 158 |
| Base Super Susan with Wood Spin Units | BSS___WD | 89 |
| Base Tapered Leg | BTPL | 158 |
| Base Toe Kick | BTK8 | 172 |
| Base Turned Leg | BTL | 158 |
| Base Utensil Storage Pull-Out | BPPUS___ | 82 |

| | SKU | Spec |
|---|-----------------|----------|
| Base Wine Rack Cabinet | BWRC6 | 99 |
| Batten Molding | BM8 | 148 |
| Batten Molding Duraform Textured | BM8 DT | 148 |
| Blind Corner Base Installation Chart | | 94 |
| Blind Corner Base | BLB__ | 92 |
| Blind Corner Closure | BLC__ | 72 |
| Blind Corner Closure | BLC1515 | 108, 165 |
| Blind Peninsula Corner Base | PBC__ | 88 |
| Blind Wall Cabinet | BLW__ | 58 |
| Blind Wall Cabinet Dimensions | - | 59 |
| Blind Wall Cabinet Installation Chart | - | 59 |
| Built-In Microwave Cabinet | BBMC__ | 100 |
| C | | |
| Cabinet Angle Molding | CAM8 | 148 |
| Cabinet Care | - | 22 |
| Cabinet Front Only Option | CFO | 38 |
| Cabinet Specifications | - | 21 |
| Cabinet Tray Divider | TD3 | 106, 124 |
| Ceiling Height Requirements | - | 31 |
| Chair Rail Molding | CR8 | 145 |
| Chantilly Decorative Foot | CDF | 159 |
| Chantilly Decorative Leg | CDL | 159 |
| Chantilly Furniture Leg | CFL | 159 |
| Classic Baseboard Molding | CLBM8 | 146 |
| Classic Molding Stack | MS CLASSIC ____ | 151 |
| Classic Trim Molding | CLTM8 | 146 |
| Cleaning Caddy Pullout Kit | CCPOK | 106 |
| Clear Decorative Glass Insert | DGI-__CLEAR | 50 |
| Cleat | HWC__ | 172 |
| Construction Comparison Chart | - | 39 |
| Construction Option Examples | | 36 |
| Construction Option Legend | - | 36 |
| Construction Options | - | 35 |
| Contemporary Trim Molding | CTM8 | 144 |
| Contemporary Trim Molding Duraform Textured | CTM8 DT | 144 |
| Corner Appliance Garage | AG__ | 64 |
| Corner Base Carousel | CAR36 WD | 91 |
| Corner Base with Wood Spin Units | CBS36 WD | 91 |
| Corner Sink Base | CSB36 | 95 |
| Corner Sink Front | CSF__ | 99 |
| Corner Wall Cabinets | CW__ | 60 |
| Corner Wall | WCW__ | 61 |
| Cover Caps | COVER CAP | 172 |
| Crown Molding - Builder | CM8 BLD | 149 |
| Crown Molding | CM8 | 144 |
| Crown Valance | V__ CR | 152 |
| Curved Corbel | CS12__ | 154 |
| CushionClose | - | 43 |
| Cutlery Divider Kit | CDAK__ | 102 |
| Cutlery Divider Kit | CDAK__ | 102 |
| D | | |
| Decorative Cove Molding | DCVM8 | 144 |
| Decorative Glass Clips | CLIP DGI__ | 51 |
| Decorative Hardware | KNOB/PULL | 175 |
| Decorative Inside Corner Molding | ICM8 | 148 |
| Decorative Items | - | 161 |
| Deep Roll Out Tray 4 Pack Kit, Utility | DROT____-4K | 125 |

| | SKU | Spec |
|--|--------------------|---------------|
| Deep Roll Out Tray 4 Pack Kit, Vanity Linen | DROT___21-4K | 141 |
| Deep Roll Out Tray Kit | DROT___ | 103, 125, 141 |
| Deep Sink/Range Base Cabinet | DSB___ | 95 |
| Derbyshire Decorative Glass | DGI-___DERBYSHIRE | 50 |
| Desk Cabinet Decorator Matching Doors | DMDD___ | 166 |
| Desk Cabinet Dimensions | - | 29 |
| Desk Cabinet with Wastebasket Pull-Out, 21" Deep | DWBB1821___ | 110 |
| Desk Cabinet with Wastebasket Pull-Out, 24" Deep | DWBB1824___ | 110 |
| Desk Door Cabinet, 21" Deep | DDO___21 | 110 |
| Desk Door Cabinet, 24" Deep | DDO___24 | 110 |
| Desk Drawer Cabinet, 21" Deep | DDR___21 | 111 |
| Desk Drawer Cabinet, 24" Deep | DDR___24 | 111 |
| Desk End Panel | DEP | 114, 139, 162 |
| Desk File Pull-Out Cabinet, 21" Deep | DFDC1821___ | 111 |
| Desk File Pull-Out Cabinet, 24" Deep | DFDC1824___ | 111 |
| Dishwasher Return | DWR3 | 162 |
| Door Species & Characteristics | - | 23 |
| Door Style Collections | - | 3 |
| Double Oven Cabinet, 1 Drawer | OVD___BUTT | 122 |
| Double Oven Cabinet, 1 Large Drawer | OVD___BUTT 1DDWR | 123 |
| Double Oven Cabinet, 2 Drawers | OVD___BUTT 2DWR | 123 |
| Drawer Base Cabinet Dimensions | - | 28 |
| Drawer Base Cabinet w/ Peg Dish Organizer and Scalloped Tray | DB___2DWR SFWT PDO | 85 |
| Drawer Base Cabinet w/ Scalloped Tray | DB___2DWR SFWT | 84 |
| Drawer Base Cabinet w/Peg Dish Organizer | DB___2DWR PDO | 84 |
| Drawer Base Cabinet with Factory Installed Drawer Accessory | DB___ | 86 |
| Drawer Base Cabinet, 2 Drawers | DB___2DWR | 84 |
| Drawer Base Cabinet, 3 Drawers | DB___ | 85 |
| Drawer Base Cabinet, 4 Drawers | DB___4DWR | 85 |
| Drawer Work Surface | DWS21 | 103 |
| Dummy Drawer Front Fastener | DDF FASTENER | 173 |
| E | | |
| Edge Banding | EDGE BAND___ | 174 |
| Environmentally Responsible Stewardship | - | 20 |
| F | | |
| Filler, Plain Box | WPB___ | 70 |
| Fillers | - | 161 |
| Finished Shelf | FS___ | 72 |
| Finishing System Specifications | - | 22 |
| Flat Panel Arched Valance | V___FP | 152 |
| Floating Shelf | FLSH___ | 71 |
| Floating Shelf | FLSH___ | 113 |
| Fluted Beaded Filler Extension | FBF E3___ | 170 |
| Fluted Beaded Filler | FBF___ | 170 |
| Frosted Ash Decorative Glass Insert | DGI-___FROSTED ASH | 50 |
| Frosted Decorative Glass Insert | DGI-___FROSTED | 50 |
| Full-Access Hidden Glides System | - | 26 |
| Full Height Blind Base with Pull-Out Kit | BLB___FH POK | 93 |
| Full-Height Base Cabinet with Tray Divider and Shelf | TB9 TDS | 80 |
| Full-Height Base Cabinet, 1 Factory Installed Wastebasket | BWBB___FH | 82 |
| Full-Height Base Cabinet, 2 Butt Doors | B___FH | 83 |
| Full-Height Base Cabinet, 2 Factory Installed Wastebaskets | BWBB21-2 FH | 82 |
| Full-Height Base Cabinet | B___FH | 80 |
| Full-Height Base w/Four Deep Roll Out Trays | B___FH___4FWT | 80 |
| Full-Height Base w/Four Deep Roll Out Trays | B___FH___4FWT | 83 |
| Full-Height Base w/Two Deep Roll Out Trays | B___FH___2FWT | 83 |
| Full-Height Base w/Two Deep Roll Out Trays | B___FH___2FWT | 80 |

| | SKU | Spec |
|---|----------------------|--------------|
| Full-Height Blind Base with Swing-Out Kit | BLB__ FH SOK__ | 93 |
| Full-Height Blind Base | BLB__ FH | 92 |
| Full-Height Peninsula Base | PB__ FH | 87 |
| Furniture Drawer Cabinet | FD__ | 83, 111, 139 |
| Furniture Ends Option | FE | 44 |
| G | | |
| Glass Shelf Kit | GSK__ | 72 |
| Grooved End Panel | __EP__ GROOVED | 163 |
| H | | |
| Hardware, Decorative | KNOB/PULL | 175 |
| Hardware Specifications | - | 26 |
| Heat Shield Kit | HSK | 108, 127 |
| Hinge Restriction Clip | HINGE CC ANG RES CLP | 173 |
| Hinges | - | 26 |
| I | | |
| Impression Decorative Glass Insert | DGI-__ IMPRESSION | 50 |
| Increased Depth Cabinet Option | ID | 42 |
| Inset Light Rail Molding | ILR8 | 146 |
| Inside Corner Molding Duraform Textured | QM8 DT | 148 |
| Inside Corner Molding | QM8 | 148 |
| Installation Guidelines | - | 32 |
| Inverted Frame Cabinet Option | IF | 39 |
| K | | |
| KCMA Certification | - | 20 |
| Kneehole Drawer Cabinet | KDC__ | 111 |
| Kneehole Drawer Cabinet | KDC__ | 139 |
| L | | |
| Large Cove Molding Duraform Textured | LCVM8 DT | 144 |
| Large Cove Molding | LCVM8 | 144 |
| Large Finley Corbel | FC312 | 155 |
| Large Narrow Cove Corbel | CC212 | 154 |
| Large Prairie Corbel | PC312 | 155 |
| Large Rosette Corbel | RC313 | 156 |
| Large Valencia Corbel | VC312 | 155 |
| Library Light Rail Molding | LBM8 | 146 |
| M | | |
| Matching Interior Cabinet Option | MI | 44 |
| Medicine Cabinet | MC/MCM__ | 138 |
| Medium Cove Corbel | CC49 | 154 |
| Medium Finley Corbel | FC49 | 155 |
| Medium Narrow Cove Corbel | CC29 | 154 |
| Medium Prairie Corbel | PC49 | 155 |
| Medium Rosette Corbel | RC49 | 156 |
| Medium Valencia Corbel | VC49 | 155 |
| Meredith Decorative Glass Insert | DGI-__ MEREDITH | 50 |
| Metal Cove Corbel | METAL COVE 212__ | 156 |
| Metal Emerson Corbel | METAL EMERSON 27__ | 156 |
| Microwave Wall | WMC__ | 57 |
| Mirror Molding | MM8 | 145 |
| Modern Molding Stack | MS MODERN ____ | 149 |
| Mullion Frame Door | MFD | 48 |

| | SKU | Spec |
|---|---------------|-------------|
| O | | |
| Ogee Molding | OGE8 | 145 |
| Ogee Pilaster Molding | OGP8 | 146 |
| Open Frame Door | OFD | 47 |
| Outside Corner Molding Duraform Textured | OTCM8 DT | 148 |
| Outside Corner Molding | OTCM8 | 148 |
| Oven Cabinet, Single | OVS__ | 119 |
| Overlay Dimensions | - | 34 |
| Overlay Filler | _OF__ | 168 |
| P | | |
| Panels | - | 161 |
| Pantry Door Shelf Kit | PDSK18 | 126 |
| Pantry Swing Out Kit | PCSK36 | 125 |
| Parker Decorative Foot | PDF | 159 |
| Parker Decorative | PDL | 159 |
| Parker Furniture Leg | PFL | 159 |
| Parts Directory | - | 185 |
| Pedestal Drawer Cabinet | PD__ | 84 |
| Peninsula Base Cabinet | PB__ | 87 |
| Plain Box Filler | WPB__ | 171 |
| Plinth Block - 3" | _B3X4 PLINTH | 157 |
| Plinth Block - 6" | _B6X6 PLINTH | 157 |
| Plywood Ends Option | PE | 38 |
| Premium Finish Cabinet Option | -- | 37 |
| Prepped for Glass Decorative Insert | PREPPED | 51 |
| Putty Stick | PUTTY STICK | 174 |
| Q | | |
| Quarter Round Molding | QR8 | 148 |
| R | | |
| Raised Panel Arched Valance | V__ RP | 153 |
| Range Hood Blower | RHVENT__ | 70 |
| Range Hood Chimney | RHC__ | 67 |
| Range Hood, Raised Panel | RH__ RP | 67 |
| Range Hood, Straight Valance | RH__ SV | 67 |
| Recessed Toe Kick Option | RTK | 42 |
| Reduced Depth Cabinet Option | RD | 41 |
| Refrigerator Return Panel | RR__ | 164 |
| Ribbed Decorative Glass Insert | DGI-__ RIBBED | 51 |
| Roll-Out Tray Divider Kit | ROTD__ | 104 |
| Rosette Block - 3" | _B3X3 ROSETTE | 157 |
| S | | |
| Screws, Installation | SCREW | 172 |
| Scribe Molding Duraform Textured | SM8 DT | 148 |
| Scribe Molding | SM8 | 148 |
| Scribe Molding | SM10 | 148 |
| Shaker Accent Molding | SAM | 147 |
| Shaker Chair Rail Molding | SQCR8 | 145 |
| Shaker Insert Molding | SIM8 | 145 |
| Shaker Mirror Molding | SMM8 | 145 |
| Shaker Valance | V__ SH | 153 |
| Shelf, Adjustable | S/SK__ | 124 |
| Shelf, Adjustable | S/SK__ | 141 |
| Shelf End Wall, Round Top and Bottom | SEW__ | 64 |
| Shelf End Wall, Square Top and Bottom | SEW__ SQTB | 64 |
| Shelf End Wall, Square Top and Round Bottom | SEW__ SQT | 64 |

| | SKU | Spec |
|--|------------------------|---------|
| Shelf, Floating | FLSH__ | 71, 113 |
| Shelf Rests | - | 26 |
| Shelf Rests | SHELF REST | 172 |
| Shoe Molding | SHM8 | 148 |
| Shoe Molding | SHM8 DT | 148 |
| Side-Mounted Drawer Glides | - | 26 |
| Single Bead Accent Molding | SBAM8 | 147 |
| Single Bead Insert Molding | SBIM8 | 145 |
| Single Bead Molding | SBM8 | 147 |
| Single Oven Cabinet, with 2 Butt Doors, 4 Drawers | OVS__ BUTT 4DWR | 122 |
| Single Oven Cabinet, with 4 Butt Doors, 1 Drawer | OVS__ BUTT 1DWR | 120 |
| Single Oven Cabinet, with 4 Butt Doors, 1 Drawer & Pot & Pan Organizer | OVS__ BUTT 1DWR __BPP0 | 120 |
| Single Oven Cabinet, with 4 Butt Doors, 2 Drawers | OVS__ BUTT 2DWR | 121 |
| Single Oven Cabinet, with 4 Butt Doors, 2 Drawers, Pot & Pan Organizer | OVS__ BUTT 2DWR __BPP0 | 121 |
| Single Oven Cabinet, with Base Pot & Pan Organizer | OVS__ BUTT BPP0 | 119 |
| Sink Base Door Storage Unit | SBDSU__ | 107 |
| Sink Base Mat | SBMAT__ | 106 |
| Sink Base Multi-Storage Cabinet | SBMS__ BUTT STO | 97 |
| Sink Base Multi-Storage Kit | SBMS__ KIT | 107 |
| Sink Base Multi-Storage Shelf | SBMSS | 107 |
| Sink Base with One Factory Installed Tilt-Out Tray(s) | SB__ STO | 96, 97 |
| Sink/Cooktop Base Cabinet | SB__ | 96 |
| Sink/Cooktop Front | SF__ | 98 |
| Sink/Vanity Front Floor | FL__ | 163 |
| Sink/Vanity Front Return | SFR | 162 |
| Small Cove Corbel | CC36 | 154 |
| Small Cove Molding | SCVM8 | 144 |
| Small Cove Molding | SCVM8 DT | 144 |
| Small Finley Corbel | FC36 | 155 |
| Small Narrow Cove Corbel | CC26 | 154 |
| Small Prairie Corbel | PC36 | 155 |
| Small Rosette Corbel | RC36 | 156 |
| Small Single Bead Molding | SSBM8 | 147 |
| Small Traditional Light Rail Molding | STLR8 | 146 |
| Small Valencia Corbel | VC36 | 155 |
| Soffit Crown Molding | SCM8 | 144 |
| Specialty Door Availability | - | 46 |
| Specialty Door Option | SD | 45 |
| Spice Drawer Cabinet | SDC__ | 62 |
| Spice Drawer Insert Kit | S DIAK__ | 102 |
| Spice Rack Kit | SRK__ | 71 |
| Split Post | SPLT POST80 P | 160 |
| Spray Stain | SPRAY STAIN | 173 |
| Square Inset Light Rail Molding | SQILR8 | 146 |
| Stain | STAIN | 174 |
| Stainless Tilt-Out Tray Kit | STO TRAY | 108 |
| Starter Molding | STRM8 | 147 |
| Stem Glass Holder | SGH36U | 71 |
| Stock, 3-Sided Molding | MSS3S__ | 147 |
| Stock, 3-Sided | S3S__ DT | 147 |
| Stock, 4-Sided | S4S__ | 147 |
| Storage Cube | SC__ | 63, 112 |
| Straight Appliance Garage | AGS__ | 64 |
| Straight Valance | V__ S | 153 |

| | SKU | Spec |
|---|----------------------|-------------|
| T | | |
| Tall Bookshelves | BSPLY__ | 112 |
| Tall Cabinet Decorator Matching Doors | DMDT__ | 167 |
| Tall Cabinet Dimensions | - | 30 |
| Tall Column Filler | T_C__ | 171 |
| Tapered Foot | TPF | 158 |
| Textured Finished Shelf | FS__ | 72 |
| Textured Overlay Filler | _OF__DT | 168 |
| Tilt-Out Tray Kit | STO TRAY__ | 139 |
| Touchup Marker | TU MARKER | 174 |
| Traditional Classic Crown Molding | TCCM8 | 144 |
| Traditional Split Block | SPLT BLOCK26 | 160 |
| Traditional Valance | V__T | 153 |
| Transitional Molding Stack | MS TRANSITIONAL ____ | 150 |
| Tri-View Mirror | TV__ | 138 |
| U | | |
| Universal Filler Extension | UF E3__ | 167 |
| Universal Filler | UF__ | 167 |
| Utility Cabinet, 12" Deep | UT__12 X __ | 116 |
| Utility Cabinet, 12" Deep, with Adjustable Shelves | UT__12 X __AS | 117 |
| Utility Cabinet, 24" Deep | UT__24 X __ | 116 |
| Utility Cabinet, 24" Deep, with Adjustable Shelves | UT__24 X __AS | 117 |
| Utility Cabinet, 24" Deep, with Pantry Storage | UT3624 X __PCDS BUTT | 118 |
| Utility Cabinet Shelf & Pilaster Kit | PSK36 | 126 |
| Utility Cabinet with Deep Roll Out Trays | UT____4ROT | 118 |
| V | | |
| Valances | V__ | 152 |
| Valet Cabinet | VC2436 BUTT | 138 |
| Vanity Adaptable Sink Base Kit | ASB__32 KIT | 137 |
| Vanity Base Cabinet with Wastebasket Pull-Out, 34 1/2" High | VWBB1834H__ | 130 |
| Vanity Base, One Door | VB__ | 130 |
| Vanity Base, Two Butt Doors | VB__BUTT | 130 |
| Vanity Base with Full-Height Door, 34 1/2" High | VB__34H FH | 131 |
| Vanity Cabinet Decorator Matching Doors | DMDV | 166 |
| Vanity Cabinet Dimensions | - | 29 |
| Vanity Combo Sink Base, 31 1/8" High | VSDB__ | 135 |
| Vanity Combo Sink Base, 34 1/2" High | VSDB__34H | 135 |
| Vanity Drawer Base, 31 1/8" High | VDB__ | 131 |
| Vanity Drawer Base, 34 1/2" High | VDB__34H | 131 |
| Vanity Linen Cabinet | VLC__ | 140 |
| Vanity Linen Cabinet, with Adjustable Shelves | VLC__AS | 140 |
| Vanity Linen Cabinet, with Deep Roll Out Trays | VLC__DROT | 140 |
| Vanity Plumbing Skirt | VPS__UD | 137 |
| Vanity Sink Base, 31 1/8" High | VSB/VAN__ | 132 |
| Vanity Sink Base, 34 1/2" High | VSB/VAN__34H | 132 |
| Vanity Sink Front, 31 1/8" High | VSF__ | 138 |
| Void Door Cabinet Option | VDO | 40 |
| Void Top Drawer Option | VTD | 40 |

| | SKU | Spec |
|------------------------------------|-----------|------|
| W | | |
| Wall Bookshelves | BSPLY__ | 112 |
| Wall Cabinet Construction | - | 24 |
| Wall Cabinet Dimensions | - | 27 |
| Wall Cabinet, Standard | W__ | 54 |
| Wall Cabinet with Spice Rack | W__SR | 56 |
| Wall Column Filler | W_C__ | 171 |
| Wall Easy Reach | WER__ | 61 |
| Wall End Angle Cabinet | WEA12__ | 62 |
| Wall Microwave Cabinet, with Shelf | WMSC__ | 57 |
| Wall Range Hood, Classic Tapered | WRH__CT | 65 |
| Wall Range Hood, Decorative Mantle | WRH__DM | 65 |
| Wall Range Hood, Straight Valance | WRH__SV | 65 |
| Wall Top Hinge Cabinet | WTH__ | 56 |
| Warranty Information | - | 2 |
| Wide Batten Molding | WBM8 | 148 |
| Wine Rack Cabinet | WRC__ | 63 |
| Wine Rack | WR36 | 71 |
| Wine Storage Cabinet | WSC__ | 63 |
| Wood End Panel | _EP__ | 163 |
| Wood Tall End Panel | WTEP__ | 164 |
| Wood Tiered Cutlery Divider Kit | WTCDKFD__ | 101 |



REMY Cherry Clove

ORGANIC
REMY Cherry Clove



Draw inspiration from nature to create a space that feels comfortably grounded. Blending textures with earthy tones will provide a harmonious, inviting interior.

ONE FINISH

Many Looks

MODERN
HANOVER Cherry Clove



Minimalism and clean lines are the hallmarks of this design style. Prioritize functionality without embellishment to give your customers a sleek, streamlined living space.

TRADITIONAL
PORTOLA Cherry Clove



Sophisticated and timeless, traditional design provides an elegant experience. Choose classic materials and embrace more ornate stylings when choosing decorative accessories.



woodmarkcabinetry.com
Customer Care: 1-800-677-8182

© 2024 American Woodmark Corporation®. All Rights reserved.
The Home Depot® is a registered trademark of Home TLC, Inc.
7/24 7.0M AWH98478